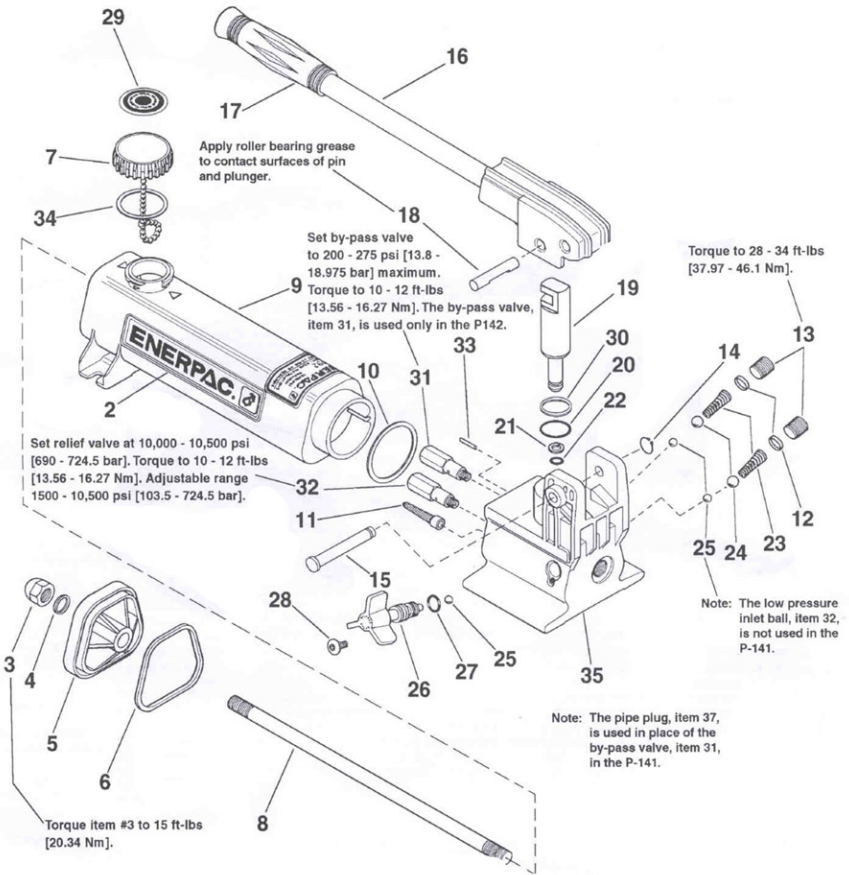


Note: Base, Item #35, is not sold as a service part. Order complete pump.



Parts List

| Item No. | Part Number | Qty. | Description |
|----------|-------------|------|--|
| 2 | ★CN767026 | 2 | Enerpac Decal |
| | DC1797026 | 2 | Enerpac Decal (models 1001, 1002) |
| 3 | CL341055 | 1 | Acorn Nut |
| 4 | ★CU293167 | 1 | Gasket |
| 5 | CN402020SR | 1 | End Cap (incl. items 3,4,6) |
| 6 | ★B1141517 | 1 | Square Ring |
| 7 | CN766950SR | 1 | Vent Cap Assembly (incl. items 29,34) |
| 8 | CL280149 | 1 | Tie Rod |
| 9 | CN782025SR | 1 | Reservoir (yellow incl. items 2,3,4,6,10,34) |
| | DA3886025 | 1 | Reservoir (red incl. items 2,3,4,6,10,34) |
| 10 | ★B1131517 | 1 | Square Ring Seal |
| 11 | ★CB981018 | 1 | Filter |
| 12 | ★DA3702020 | 2 | Spring Cap |
| 13 | CN815006 | 2 | Pipe Plug (.250 - 18 N.P.T.F.) |
| 14 | ★DA11783149 | 1 | Retaining Ring |
| 15 | ★CR215061SR | 1 | Beam Pin (incl. item 14) |
| 16 | CL915900SR | 1 | Beam and Handle Assembly |
| 17 | CL342550 | 1 | Handle Grip |
| 18 | P20857 | 1 | Cross Pin |
| 19 | CN412040SR | 1 | Plunger (incl. item 20,21,22,30) |
| 20 | ★B1018803 | 1 | O-Ring |
| 21 | ★B1010564 | 1 | Back-Up Washer |
| 22 | ★B1010803 | 1 | O-Ring |
| 23 | ★DA1176210 | 2 | Spring |
| 24 | ★B1009016 | 2 | 5/16" Ball |
| 25 | ★B1006016 | 3 | 7/32" Ball |
| 26 | CL913900SR | 1 | Spindle Assembly (incl. item 25,27,28) |
| 27 | ★B1007503 | 1 | O-Ring |
| 28 | ★CU921028 | 1 | Truss Head Machine Screw |
| 29 | ★CN780026 | 1 | Fill Decal |
| 30 | ★B1018566 | 1 | Back-Up Washer |
| 31 | DA5493900SR | 1 | Bypass Valve (models P142 and 1002) |
| 32 | DA8802900SR | 1 | Relief Valve (10,000 - 10,500 PSI) |
| 33 | ★B1036057 | 1 | Spring Pin |
| 34 | ★CU724167 | 1 | Vent Cap Gasket |
| 35 | DA5483005 | 1 | Pump Base |
| 37 | A1006245 | 1 | Pipe Plug (P141 only) |

Indicates items included in Repair Kit P141K2. For viton seals, order Repair Kit P142KV1 in place of standard kit P141K2.

(Kit contains 2 sets of seals; be sure to replace with identical seal as the one removed ★ from the pump.)