



MODEL 22  
VIBRATORY  
DRIVER/EXTRACTOR

OPERATING AND MAINTENANCE MANUAL

# **J&M MODEL 22-30**

VIBRATORY PILE DRIVER/EXTRACTOR

WITH MODEL 350 POWER PACK

Serial Numbers: & Above



**J&M FOUNDATION  
EQUIPMENT, LLC**

OM-22/30-0909

SPECIALIZING IN PILE DRIVING EQUIPMENT



**MODEL 22  
VIBRATORY  
DRIVER/EXTRACTOR**



**MODEL 22  
VIBRATORY  
DRIVER/EXTRACTOR**

**PREFACE**

This manual was prepared to acquaint the owner, operator and serviceman with the operation and maintenance of the vibratory driver/extractor. We suggest that this manual be carefully studied before operating or undertaking any maintenance work on the unit.

This manual is organized into two major categories.

The first category is for routine OPERATING INSTRUCTIONS of the unit and includes a GENERAL DESCRIPTION section, which presents a basic explanation of the driver/extractor and some of its specifications. The MAINTENANCE AND ADJUSTMENT section should be referred to periodically for normal servicing of equipment. All machines and equipment require systematic, periodic inspection and maintenance, if they are to perform satisfactorily, over a long period of time. The driver/extractor is primarily a vibrating machine and if not given the best of care, or if improperly used and maintained, it is self-destructive. Therefore, the unit should receive at least the same care and maintenance as other high quality construction equipment.

The second category is for parts reordering and it includes both a PARTS LIST and a pictorial drawing of the assembly, for easier determination of the required part. Refer to the ORDERING PARTS section of the PARTS LIST for more specific procedures regarding parts ordering. Adherence of the listed procedures will insure receipt of the required part(s) with the minimal amount of delay or error.



**MODEL 22  
VIBRATORY  
DRIVER/EXTRACTOR**



**MODEL 22  
VIBRATORY  
DRIVER/EXTRACTOR**

**WARRANTY**

**J&M FOUNDATION EQUIPMENT LLC. STANDARD WARRANTY**

J&M Foundation Equipment LLC (J&M) warrants new products sold by it to be free from defects in material or workmanship for a period of 90 days after date of delivery to the first user and subject to the following conditions:

J&M's obligation and liability under this WARRANTY is expressly limited to repairing or replacing, at J&M's option, any parts which appear to J&M, upon inspection, to have been defective in material or workmanship. Such parts shall be provided at no cost to the user, at the business establishment of J&M or the authorized J&M distributor of the product, during regular working hours. This WARRANTY shall not apply to component parts or accessories of products not manufactured by J&M and which may carry the warranty of the manufacturer thereof, or to normal maintenance (such as engine tune-up) or to normal maintenance parts (such as oil filters). Replacement or repair parts installed in the product covered by this WARRANTY are warranted only for the remainder of the warranty, as if such parts were original components of said product. **J&M COMPANY MAKES NO OTHER WARRANTY, EXPRESS OR IMPLIED, AND MAKES NO WARRANTY OF MERCHANTABILITY OR FITNESS, FOR ANY PARTICULAR PURPOSE.**

J&M's obligation under this WARRANTY shall not include any transportation charges, cost of installation, duty, taxes or any other charges whatsoever, or any liability for direct, indirect, incidental, or consequential damage of delay. If requested by J&M, products or parts for which a warranty claim is made are to be returned, transportation prepaid to J&M. Any improper use, including operation after discovery of defective or worn parts, operation beyond rated capacity, substitution of parts not approved by J&M or any alteration or repair by others in such manner as in J&M's judgment affects the product materially and adversely, shall void this WARRANTY.

**NO EMPLOYEE OR REPRESENTATIVE IS AUTHORIZED TO CHANGE THIS WARRANTY IN ANY WAY OR GRANT ANY OTHER WARRANTY UNLESS SUCH CHANGE IS MADE IN WRITING AND SIGNED BY AN OFFICER OF J&M.**



**MODEL 22  
VIBRATORY  
DRIVER/EXTRACTOR**

**TABLE OF CONTENTS**

OPERATING INSTRUCTIONS

<u>I.</u>	<u>GENERAL DESCRIPTION</u>	<u>PAGE</u>
	A. General	I- 1
	B. Vibrator	I- 2
	C. Hydraulic Clamp	I- 2
	D. Power Unit	I- 2
	E. Remote-Control Pendant	I- 3
	F. Specifications	I- 3
<u>II.</u>	<u>PREPARATION FOR OPERATING</u>	
	A. General	II- 1
	B. Safety Precautions	II- 1
	C. Rigging of Vibrator	II- 3
	D. Connection of Hydraulic Clamp	II- 3
	E. Connection of Hydraulic Hoses	II- 4
	F. Bleeding Hydraulic Clamp Hoses	II- 6
	G. Filling Vibrator Pressure Hose	II- 6
<u>III.</u>	<u>OPERATING INSTRUCTIONS</u>	
	Fig1 Control Panel with Remote Pendant	III- 1
	A. Completion of Set-Up and Maintenance	III- 2
	B. Control Panel	III- 2
	C. Starting and Warming Up Engine	III- 3
	D. Warming Hydraulic Oil	III- 3
	E. Operation of Remote-Control Pendant	III- 4
	F. Changing Frequency	III- 6
	G. Shutdown	III- 6
<u>IV.</u>	<u>MAINTENANCE AND ADJUSTMENTS</u>	
	A. General	IV- 1
	B. Daily	IV- 1
	C. 100 Hours, 500 Hours and Other	IV- 2
	D. Annually	IV- 2
	E. Severe Conditions	IV- 3
	F. Lubrication	IV- 3
	G. Capacities	IV- 7
	H. Draining and Filling Hydraulic Oil Reservoir	IV- 8
	I. Changing Hydraulic Return Filter Element	IV- 8
	J. Bolt Torque Information	IV- 9



**MODEL 22  
VIBRATORY  
DRIVER/EXTRACTOR**

**TABLE OF CONTENTS**

OPERATING INSTRUCTIONS (CONTINUED)

	<u>PAGE</u>
<b>V. <u>HYDRAULIC CIRCUITRY</u></b>	
A. Hydraulic Clamp	V- 1
B. Vibrator Drive	V- 1
C. Auger Drive	V- 2
D. Hydraulic Impact Hammer	V- 3
E. Other	V- 3
Hydraulic Schematic	V- 4
F. Hydraulic Components List	V- 5
<b>VI. <u>ELECTRICAL CIRCUITRY</u></b>	
A. Starting Diesel Engine	VI- 1
B. Stopping Diesel Engine	VI- 1
C. Safety Control System	VI- 1
D. Closing Hydraulic Clamp	VI- 2
E. Opening Hydraulic Clamp	VI- 2
F. Starting the Vibrator	VI- 2
G. Stopping the Vibrator	VI- 2
H. Other	VI- 3
Electrical Layout	VI- 4
Electrical Schematic	VI- 5
J. Electrical Components List	VI- 6
<u>PARTS LIST</u>	
<b>VII. <u>GENERAL DATA</u></b>	
A. Abbreviations	VII- 1
B. Screws and Bolts	VII- 1
C. Serial Number Locations	VII- 2
<b>VIII. <u>ORDERING PARTS</u></b>	
A. Procedure	VIII- 1
B. Fitting Description Key	VIII- 2
Fitting Style Selector Chart - SC1	VIII- 3
C. Hose Description Code	VIII- 4
D. Parts Identification	VIII- 5
Parts Lists and Drawings	VIII- 6
E. Miscellaneous Accessories	VIII-36
F. Recommended Spare Parts	VIII-39
G. Recommended Tightening Torque	VIII-41



**MODEL 22  
VIBRATORY  
DRIVER/EXTRACTOR**





**MODEL 22  
VIBRATORY  
DRIVER/EXTRACTOR**

# **OPERATING INSTRUCTIONS**

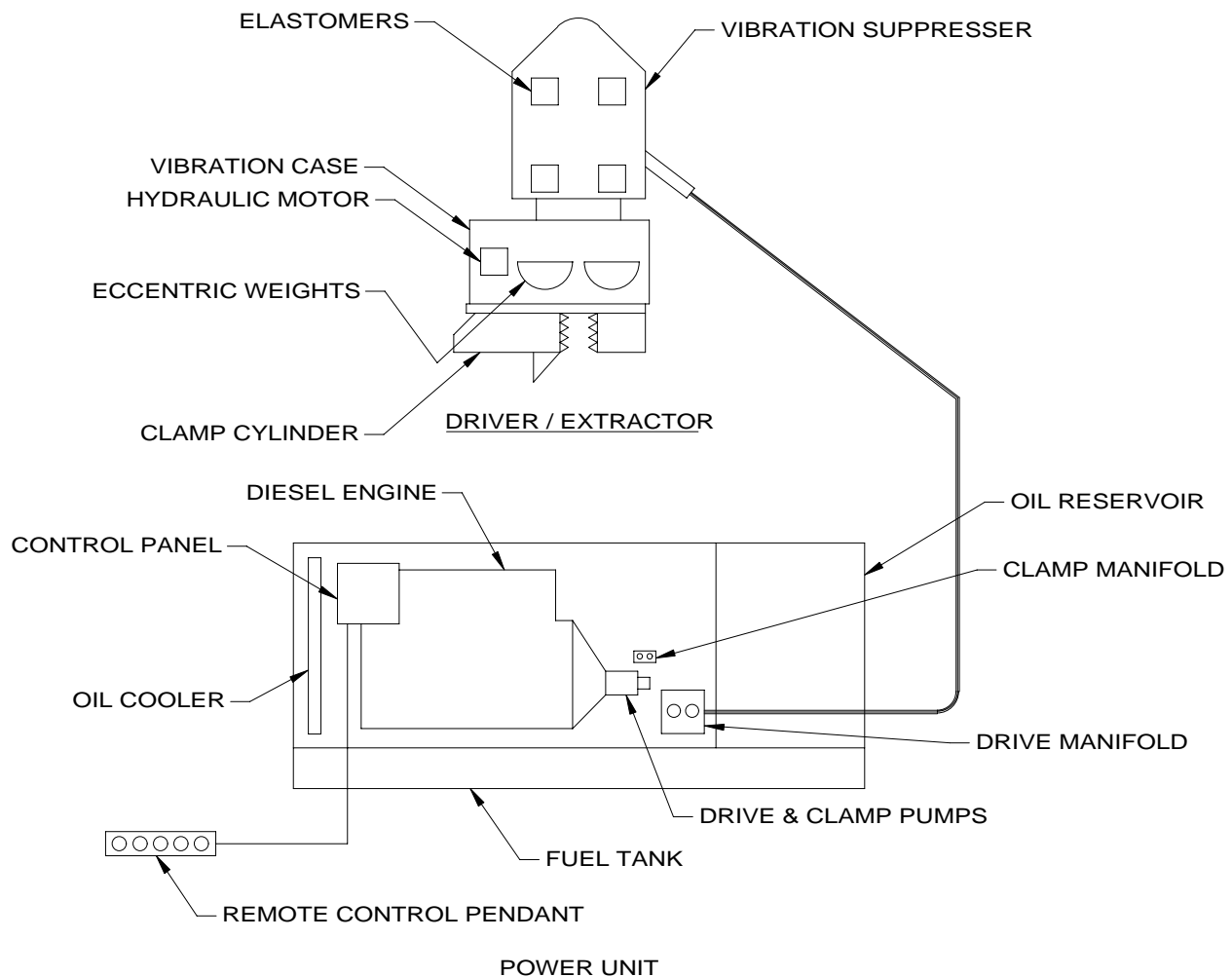
## **I. GENERAL DESCRIPTION**

### **A. GENERAL**

The J&M Model 22 is a medium-frequency vibratory pile driver/extractor designed to drive and extract sheet piles, pipe, timber piles and concrete piles, caisson pipe and H, I and wide-flange beams.

The Model 22 operates in a frequency range of 900 to 1650 vibrations per minute to provide maximum pile penetration rates in a wide variety of soils. The unit has an eccentric moment of 2200 inch-pounds (25 kg-M) and produces a maximum amplitude of .98 inch (25mm).

The vibratory driver unit consists of two major components. (1) The vibrator with attached clamp and (2) the power unit with remote control pendant.





MODEL 22  
VIBRATORY  
DRIVER/EXTRACTOR

# OPERATING INSTRUCTIONS

## I. GENERAL DESCRIPTION

### B. VIBRATOR

The vibrator consists of two major components. (1) The vibration case and (2) the vibration suppressor.

The vibration case contains two eccentric weights which rotate in a vertical plane to create vibration. The eccentric weights are driven by a hydraulic motor mounted on the vibration case. The motor and two eccentrics are all gear connected to maintain proper synchronization. The eccentric and motor shafts are mounted in heavy-duty cylindrical roller bearings. Lubrication is provided by a splash system activated by the rotating eccentrics and gears.

A suppressor assembly is mounted to the top of the vibration case, to isolate vibration from the crane and permit pile extraction. A heavy, outer suppressor, housing is connected to the vibration case by ten (10) rubber elastomers. The maximum line pull during extraction is 40 tons (355kN).

### C. HYDRAULIC CLAMP

A hydraulic clamp, bolted to the bottom of the vibration case, transmits vibration to the piling. The hydraulic clamp contains two gripping jaws; one fixed and one moveable. A large hydraulic cylinder operates the moveable jaw with 125 tons (1112kN) of force to grip the pile. Clamping and un-clamping occurs in a few seconds.

### D. POWER UNIT

The Model 350, power unit for the Model 22 vibrator, is powered by a Caterpillar C9 diesel engine. The diesel engine develops 375 HP (280 kW) at 2100 RPM, and drives the dual hydraulic pumps that create the hydraulic power to operate the vibrator motor and hydraulic clamp.

The totally enclosed power unit is mounted on a skid-type fuel tank sub-base. A Control panel at the side of the unit contain all operating gages and controls. A common reservoir supplies hydraulic oil for the dual hydraulic pumps.

Three hydraulic hoses, 100 feet (30.5m) in length, connect the power unit to the hydraulic motor on the vibrator. Two other hydraulic hoses run from the power unit to the hydraulic clamp.



**MODEL 22  
VIBRATORY  
DRIVER/EXTRACTOR**

# OPERATING INSTRUCTIONS

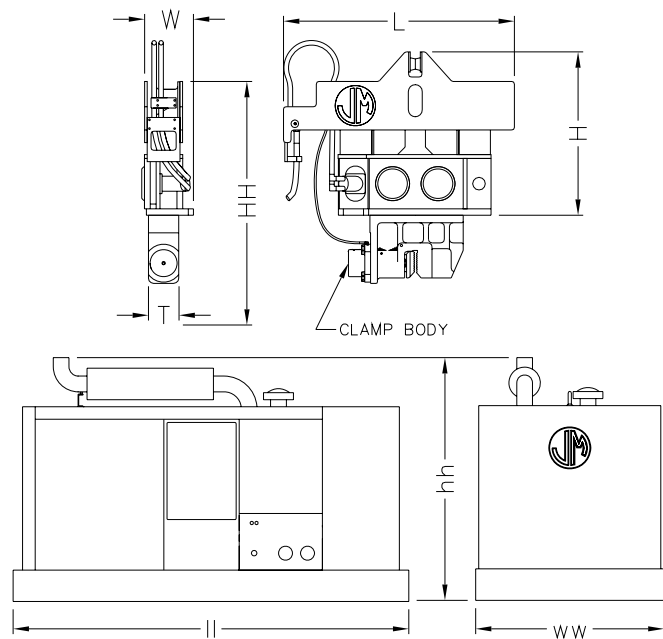
**I. GENERAL DESCRIPTION**

**E. REMOTE-CONTROL PENDANT**

The vibrator is operated by a hand-held remote control pendant. The pendant has three, two-way switches, one light and one push button. One switch (SLOW-FAST) raises and lowers the diesel engine speed. The second switch (REVERSE-FORWARD) starts and stops the vibrator. The other switch (OPEN-CLOSE) operates the hydraulic clamp. The light indicates that adequate clamping pressure exists for vibration to begin. The (red mushroom) push button (EMERGENCY STOP) shuts down the diesel engine instantly, in the event of an emergency. Note: Controls are duplicated on the power unit control panel in case the pendant is damaged. (See pg.III-5, Section E-e)

**F. SPECIFICATIONS**

1. Constant improvement and engineering progress make it necessary that we reserve the right to make specification changes without notice.



**2. MODEL 22-30 VIBRATOR  
(with hydraulic clamp)**

Type.....	Hydraulic
Eccentric Moment.....	2200 In-lbs. (25kg-M)
Frequency.....	900-1650 VPM
Amplitude.....	0.98 in. (25mm)
Pile Clamping Force .....	125 Tons (1112kN)
Max. Line Pull for	
Extraction.....	40 Tons (356kN)
Suspended Weight with Clamp and half hoses .....	10,375 lbs. (4706kg)
Length [L] .....	92 in. (234cm)
Width [W].....	20 in. (51cm)
Throat Width [T] .....	15 in. (38cm)
Height with Clamp [HH].....	92 in. (233cm)
Height without clamp [H] .....	65 in. (165cm)

**3. MODEL 350 POWER UNIT**

Type.....	Diesel
Engine .....	CAT C-9
Horsepower (2100 RPM).....	375 (280kW)
Weight .....	9,400 lbs. (4264kg)
Length [II] .....	126in. (320cm)
Width [ww] .....	60in. (152cm)
Height [hh] .....	75.5in. (192cm)



MODEL 22  
VIBRATORY  
DRIVER/EXTRACTOR

# OPERATING INSTRUCTIONS

## II. PREPARATION FOR OPERATION

### A. GENERAL

When unloading and unpacking the vibratory driver, use extreme care. For your protection, make a thorough inspection of the unit immediately on delivery. In case of any damage or shortage, notify the transit agent at once and have the delivering carrier make a notation on the freight bill.

### B. SAFETY PRECAUTIONS

Safety is basically common sense. There are standard safety rules, but each situation has its own peculiarities which can not always be covered by rules. Therefore, your experience and common sense will be your best guide to safety. Be ever watchful for safety hazards and correct deficiencies promptly.

Use the following safety precautions as a general guide to safe operations:

1. Read this manual thoroughly before operating or working on the equipment.
2. Read and follow any safety instructions in the CATERPILLAR engine operators manual.
3. Only well trained and experienced personnel should attempt to operate or maintain this equipment.
4. Never adjust, lubricate or repair the unit when it is in operation, or lifted above ground level.
5. Never remove, paint over or cover warning or safety labels. If labels become damaged or unreadable, replace immediately.
6. All personnel should wear approved safety clothing, including **HARD HATS, SAFETY SHOES, SAFETY GLASSES** and **HEARING PROTECTION** when in the vicinity of this machinery.
7. Do not stand any closer to this equipment than necessary when it is in operation. Parts may loosen and fall. Never stand under operating, or elevated, equipment.
8. When maintaining or repairing the equipment, never substitute parts not supplied, or approved in writing, by J&M.
9. Do not weld, or flame cut, on this equipment.
10. Never use or store flammable liquids on or near the engine.
11. Insure that all lifting equipment, including cranes, wire rope, slings, hooks, shackles, etc., are properly sized for the worst case loads anticipated during operations.
12. If there are any questions about the weights, specifications, or performance of the unit, contact J&M before handling or operating the equipment.
13. If the equipment is to be used for anything other than driving or extracting plumb piles, contact J&M before using the unit.
14. Check wire rope clips for tightness, and check wire ropes for wear, daily.
15. Insure that ground vibrations will not damage or collapse adjacent structures or excavations.
16. Remove all tools, parts and electrical cords before starting the unit.
17. When operating in an enclosed area, pipe exhaust fumes outside. Continued breathing of exhaust fumes may be fatal.



MODEL 22  
VIBRATORY  
DRIVER/EXTRACTOR

# OPERATING INSTRUCTIONS

## II. PREPARATION FOR OPERATION

### B. SAFETY PRECAUTIONS (CONTINUED)

18. When servicing batteries, do not smoke or use open flames in the vicinity. Batteries generate explosive gas during charging. There must be proper ventilation when charging batteries.
19. When filling fuel tank, do not smoke or use open flame in the vicinity.
20. If abnormal equipment operation is observed, discontinue use immediately and correct the problem. Do not leave the equipment control pendant (radio control) unattended.
21. Store oily rags in approved containers, and away from engine exhaust system.
22. Make sure that the vibrator is OFF before starting the power unit engine.
23. Do not adjust, or set, hydraulic pressures higher or lower than those specified in this manual.
24. Never operate this equipment with hydraulic hoses that are damaged or "kinked". Replace damaged hoses immediately.
25. Do not lift, or support, hydraulic hoses with wire rope slings.
26. Never attempt to connect quick disconnects when the power unit is running.
27. Do not pull on, or attempt to move equipment, with hydraulic hoses.
28. Do not attempt to locate hydraulic leaks with your hands. High pressure hydraulic leaks can penetrate the skin, causing severe damage, blood poisoning and infection. Do not attempt to repair leaks while the equipment is in operation.
29. Do not attempt to tighten, or loosen, fittings or hoses when the machine is in operation.
30. Power unit must always be placed on level, stable, ground.
31. Do not remove power unit heat shields, or operate power unit without heat shields. Severe fires may result.
32. A properly maintained fire extinguisher, suitable for oil fires, must be kept in the immediate vicinity of equipment operations.
33. When moving or transporting this equipment, insure that the vehicle or vessel is of sufficient capacity to handle the load, and that the equipment is properly tied down.
34. When moving or transporting this equipment, be sure that quick disconnect dust caps are tight, and that cap safety cables are in place. Be sure that all equipment parts are tight, or properly secured, before shipment. Unsecured parts may vibrate loose and fall, during transport, causing injury or property damage.
35. Keep crane boom, piles, leads, wire rope and other equipment at least 15' (5M) from electrical power lines, transformers and other electrical equipment, or at such distance as required by applicable safety codes.
36. Rounded or damaged bolt heads or nuts should be replaced so that proper torque values may be obtained. Proper torque values are necessary to prevent parts on this equipment, leads and crane boom from loosening and falling. Refer to Torque Chart, in this manual, for proper values.
37. When using the vibrator to move piles we recommend using a safety line in case of loss of hydraulic pressure.



MODEL 22  
VIBRATORY  
DRIVER/EXTRACTOR

# OPERATING INSTRUCTIONS

## II. PREPARATION FOR OPERATION

### B. SAFETY PRECAUTIONS (CONTINUED)

38. Never clamp vibrator to pile and disconnect the crane line. Loss of hydraulic pressure could cause vibrator to fall. Lay vibrator down when not in use.
39. When extracting piles, always attach a safety line between pile and crane hook.
40. When extracting piles, check crane load/radius tables to be sure crane capacity is adequate for maximum allowable extraction pull.
41. When extracting piles, or any other driving operations, always be sure that the crane line is aligned with the centerline of the pile. Do not side load crane boom or vibrator. Dangerous crane boom, or vibrator, damage may result.
42. When extracting piles, do not exceed the capacity of the vibrator suppressor. Continued operation against the safety stops will cause damage to the crane boom and the vibrator.
43. Never induce line pull on a vibrator before starting the unit in vibration. Always start both driving and extraction of piles with a slack line.
44. Keep hands away from clamp jaws.
45. Keep hands away from vibrator suppressor during operation. Clearances may change causing pinch points.
46. Do not run vibrator unless clamp jaws are closed.
47. Use tag line to control vibrator whenever possible.
48. When driving "batter" piles, insure that the leads, and crane boom, have sufficient bending strength to handle the worst case load. Consult J&M.

REMEMBER, SAFETY IS EVERYONE'S BUSINESS.

### C. RIGGING OF VIBRATOR

A steel wire rope sling must be connected to the lifting pin of the vibration suppressor. The required strength of this sling depends on the capacity of the crane and the work to be carried out. A safety factor of five is recommended. Several turns of a smaller diameter cable will usually last longer than one turn of a larger diameter cable.

### D. CONNECTION OF HYDRAULIC CLAMP

The vibrator is usually shipped with the hydraulic clamp already attached.

If the clamp is not attached, it will be necessary to attach it to the bottom of the vibrator. Orient the clamp to the vibrator with the clamp cylinder end (movable jaw) at the same end of the vibrator as the terminal manifold is mounted. All eight (1.5-6UNC x 5.00) bolts must be in place and torqued to approximately 2800 ft-lbs (387 Kg-M).

For caisson work, the caisson beam must be attached to the bottom of the vibrator and tightened as above. Then slide the clamps into position on the caisson beam.



MODEL 22  
VIBRATORY  
DRIVER/EXTRACTOR

# OPERATING INSTRUCTIONS

## II. PREPARATION FOR OPERATION

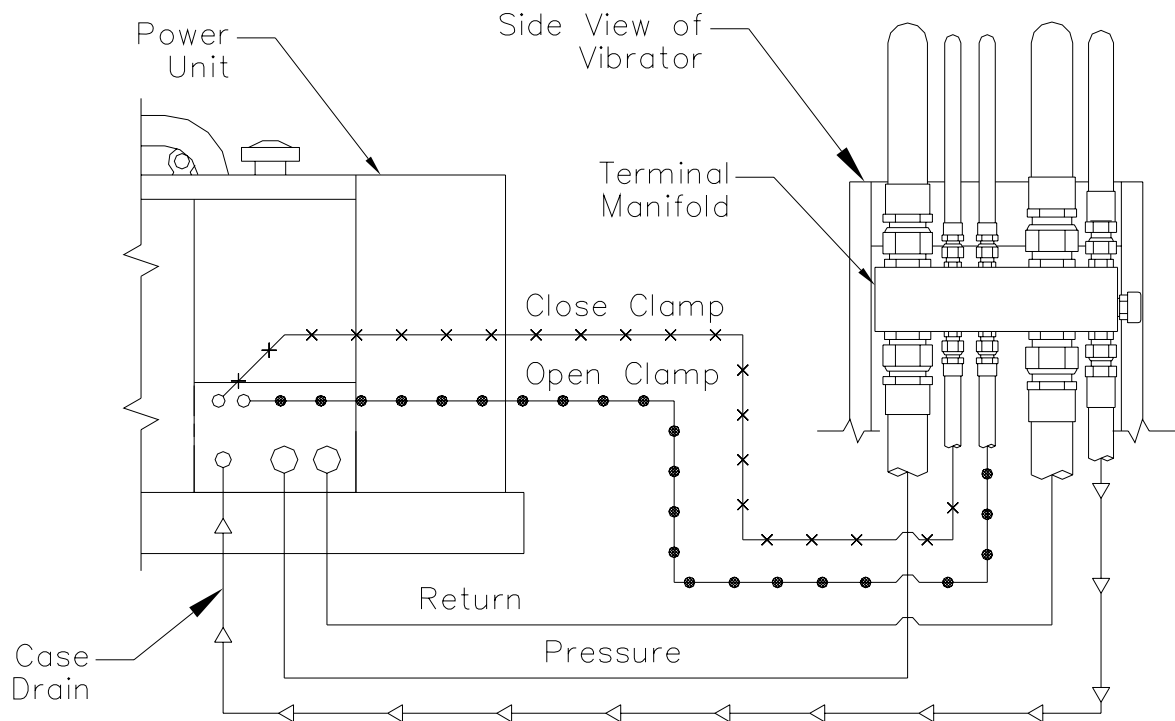
### E. CONNECTION OF HYDRAULIC HOSES

#### 1. Connection of hoses at power unit.

- a. The vibrator and hydraulic clamp are connected to the power unit by five hydraulic hoses. (Fig. 1)

CAUTION: The power unit must be shut down during connection of the hydraulic hoses.

- b. The hoses connect to the power unit with quick-disconnect couplers. Hose couplers are arranged to insure correct connections at the power unit. See the diagram (Fig. 1) for correct hose connection.
- c. Clean couplers with a lint-free cloth before making connections.
- d. Make sure that the couplers are fully run up. They should be fully hand tight. Do not use wrenches to tighten.



(Fig. 1)



MODEL 22  
VIBRATORY  
DRIVER/EXTRACTOR

# OPERATING INSTRUCTIONS

## II. PREPARATION FOR OPERATION

### E. CONNECTION OF HYDRAULIC HOSES (CONTINUED)

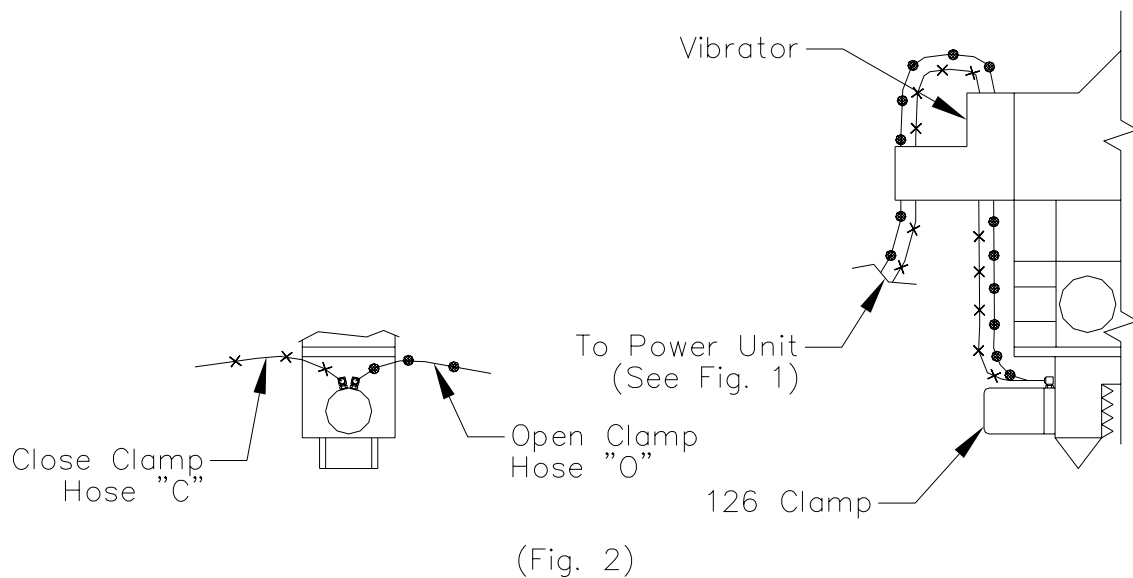
#### 2. Connection of hoses at vibrator.

- a. The vibrator is usually shipped with the hoses attached to the vibrator. If the hoses have been shipped separately, they must be connected in the field. Fig. 1 shows the correct arrangement of the five hoses connecting the power unit to the vibrator.

**CAUTION:** Starting the vibrator with the hoses reversed will result in low power or possible ruptured hoses.

- b. The vibrator is usually shipped with the hydraulic clamp and hoses attached. If the clamp has been shipped separately, the two hoses connecting the clamp to the vibrator must be connected. Fig. 2 shows the correct arrangement of these hoses.

For caisson clamps, four hoses must be connected. The two o-ring - jic fittings on the terminal manifold must be removed and replaced by two tees. This allows the four hoses to run to both sides of the vibrator and operate the caisson clamps. The terminal manifold is stamped O and C (O for Open Clamp) (C for Close Clamp).







MODEL 22  
VIBRATORY  
DRIVER/EXTRACTOR

# OPERATING INSTRUCTIONS

## II. PREPARATION FOR OPERATION

### F. BLEEDING HYDRAULIC CLAMP HOSES

1. When the vibrator and hydraulic clamp are shipped with all hoses attached (between vibrator and clamp and five main hoses connected to the vibrator), the hoses are usually full of oil and may be used immediately. However, if any of the clamp hoses are connected at the job site or if air is present in hoses, they must be bled prior to operation.
2. Read SECTION III - OPERATING INSTRUCTIONS.
3. Start and warm up the diesel engine in accordance with SECTION III-C - STARTING AND WARMING UP ENGINE.
4. With the engine warmed-up and running at 1500 RPM, loosen the close-clamp line at the hydraulic clamp. Turn the clamp switch on the remote-control pendant to CLOSE. Wait until oil flows from the connection at the hydraulic clamp. When oil flows without air, tighten the connection.
5. After the line has been bled, alternately turn the clamp switch to CLOSE and OPEN to insure that the clamp is working properly. It may be necessary to bleed the line more than once. The open-clamp line may also require bleeding.

### G. FILLING VIBRATOR PRESSURE HOSE

1. The vibrator is usually shipped with the vibrator hydraulic hoses full of oil and the unit may be used immediately. However, if the pressure hose has been removed from the vibrator, the hose should be allowed to fill with hydraulic oil prior to full speed operation.
2. Read SECTION III - OPERATING INSTRUCTIONS.
3. Start and warm up the diesel engine in accordance with SECTION III-C - STARTING AND WARMING UP ENGINE. Hold the vibrator in a vertical position.
4. With the engine warmed up and running at 1000 RPM, turn and hold the vibrator switch REVERSE. The hoses will fill in approximately 5 minutes. CAUTION: If vibration begins in the vibrator, stop immediately and recheck hose connections.

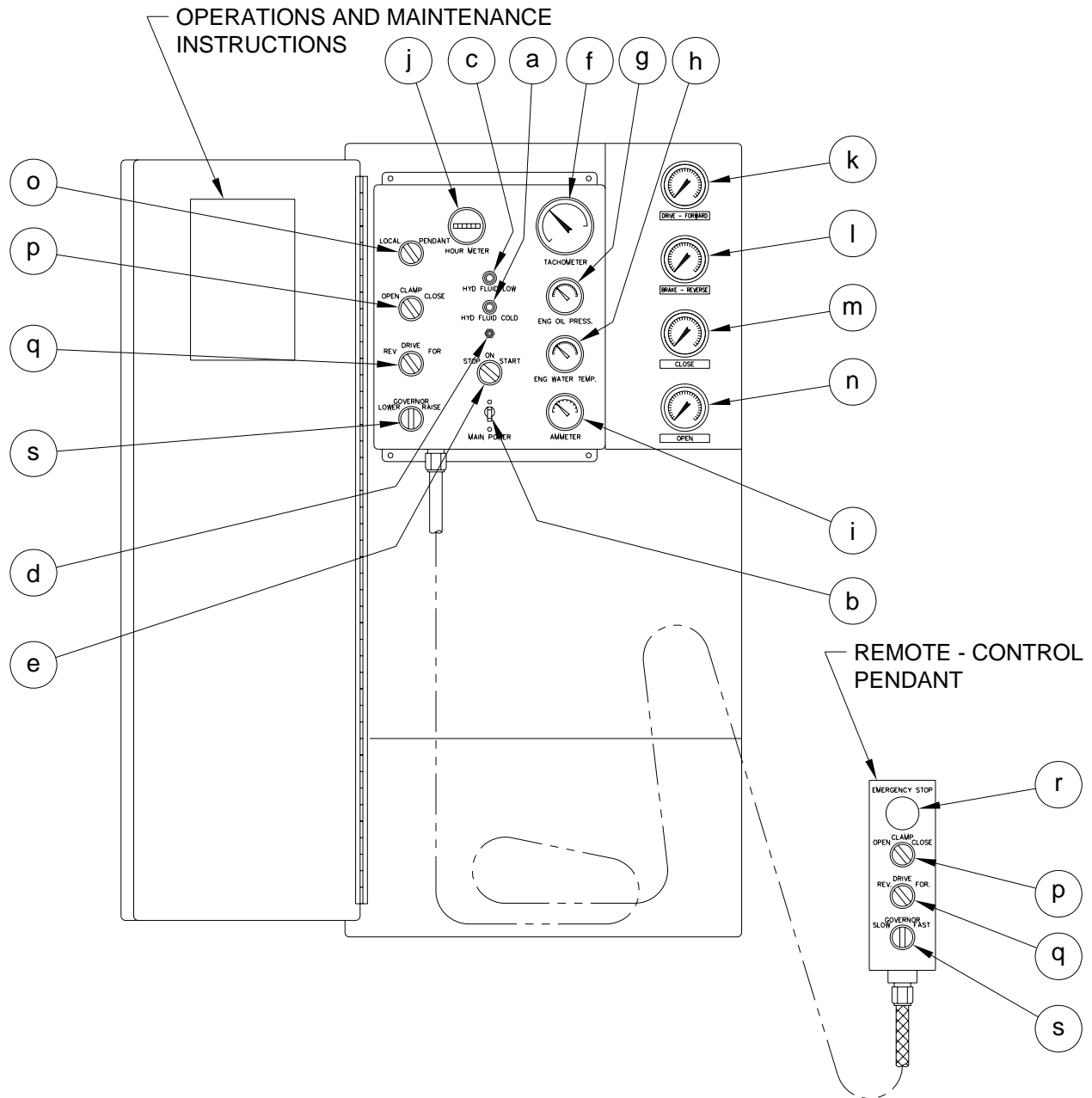


MODEL 22  
VIBRATORY  
DRIVER/EXTRACTOR

# OPERATING INSTRUCTIONS

## III. OPERATING INSTRUCTIONS

### CONTROL PANEL WITH REMOTE CONTROL-PENDANT



(Fig. 1)



MODEL 22  
VIBRATORY  
DRIVER/EXTRACTOR

# OPERATING INSTRUCTIONS

### III. OPERATING INSTRUCTIONS

#### A. COMPLETION OF SET-UP AND MAINTENANCE

1. Complete all preparation as described in Section II.
2. Read Section IV - MAINTENANCE AND ADJUSTMENTS and perform any required maintenance.

#### B. CONTROL PANEL

1. The control box (Fig. 1, page III-1) at the side of the power pack contains the controls and gages for the diesel engine, vibrator, and the OPERATION AND MAINTENANCE INSTRUCTIONS.
2. Control panel contains the following controls and gages:
  - a. Hydraulic fluid cold light - comes on if hydraulic oil is below 70°F (21°C).
  - b. Main power switch (Circuit Breaker) - on/off switch for 24 volt electrical power. Must be "ON" for the vibrator to run.
  - c. Hydraulic fluid level low light - comes on if when the hydraulic fluid falls below the float switch, which is a loss of about 30 gallons.
  - d. Engine shut-down reset button - on start must be held in until oil pressure exceeds 30 PSI.
  - e. Engine "ON/OFF/START" switch - for diesel engine.
  - f. Engine tachometer
  - g. Engine oil pressure gage
  - h. Engine water temperature gage
  - i. Engine ammeter
  - j. Engine hourmeter
  - k. Pressure gage - (Drive - Forward)
  - l. Pressure gage - (Brake - Reverse)
  - m. Pressure gage - (Close)
  - n. Pressure gage - (Open)
  - o. Local - Pendant switch
  - p. Clamp switch - (Open/Close and Light)
  - q. Drive switch - (Forward/Reverse)
  - r. Emergency Stop - Push to stop engine
  - s. Engine Governor (Raise - Lower)
3. The OPERATION AND MAINTENANCE INSTRUCTIONS on the control panel door are there as reminders only. They are not intended to substitute for a thorough understanding of the Operators Manual.



MODEL 22  
VIBRATORY  
DRIVER/EXTRACTOR

# OPERATING INSTRUCTIONS

## C. STARTING AND WARMING UP ENGINE

1. Before starting the engine, read the CATERPILLAR OPERATION GUIDE carefully. Follow the engine starting, operating and maintenance procedures in that manual.
2. The diesel engine should not be started if the temperature of the hydraulic oil is below 0°F (-18°C). The temperature may be read on the gage on the hydraulic reservoir. If ambient temperatures below 0°F (-18°C) are anticipated, an immersion heater for the hydraulic oil is available. Consult J&M for details.
3. The MAIN POWER SWITCH on the control panel should be ON. The vibrator switch (FOR/REV) on the control pendant should be in the neutral position. (The engine will not start if switch is not in neutral)
4. Hold SHUTDOWN RESET button in and turn the ENGINE START switch to START position. If the engine fails to start after 30 seconds of cranking, allow the starter to cool for two minutes before repeating the starting procedure.
5. As the engine starts, release the ENGINE START switch. It will return to the RUN position.
6. Adjust the governor until the engine is running at 1500 RPM, and allow it to warm-up for five minutes.
7. Allow the temperature of the hydraulic oil to come up to at least 30°F (-1°C) before starting vibrator.

## D. WARMING HYDRAULIC OIL

1. The vibrator should not be operated at full speed if the temperature of the hydraulic oil is below 70°F (21°C). The HYDRAULIC FLUID COLD light on the control panel will be on if oil temperature is below 70°F (21°C). Also check gage on reservoir.
2. If temperature of the hydraulic oil is below 70°F (21°C), set the diesel engine at 1500 RPM and run the vibrator at reduced speed until the temperature of the hydraulic oil exceeds 70°F (21°C). The Hydraulic Fluid Cold light will then go off.



MODEL 22  
VIBRATORY  
DRIVER/EXTRACTOR

# OPERATING INSTRUCTIONS

### III. OPERATING INSTRUCTIONS

#### D. WARMING HYDRAULIC OIL (CONTINUED)

3. When the engine is warmed up and hydraulic oil temperature is at least 70°F (21°C), full speed operation may begin. Adjust the throttle so the engine is running at 2100 RPM unloaded. The engine should maintain about 2100 RPM under load.

CAUTION: Do not operate the vibrator if hydraulic oil temperature exceeds 160°F (71°C) as this may damage hydraulic components.

#### E. OPERATION OF REMOTE-CONTROL PENDANT

1. The operation of the vibratory driver is controlled by the remote-control pendant. The pendant is connected to the control cabinet with 50 feet of electrical cable to permit operation from any advantageous position to view the vibrator. (Consult J&M for pendant extensions)
2. The pendant has three, three-way switches, one with an indicator light and an Emergency Stop button.

##### a. To Clamp to Pile:

Position vibratory driver on pile. Turn the clamp switch on the pendant to CLOSE. The CLAMP light in the switch will come on when the hydraulic clamp has achieved adequate pressure to permit vibration to begin. The light should normally come on in a few seconds.

##### b. To Start Vibration:

Adjust the throttle so the engine is running at an RPM to maintain desired VPM. See chart on page III-6.

Turn the vibrator switch to FORWARD.

NOTE: The vibrator switch reads FORWARD/REVERSE instead of START/STOP because the Model 350 power unit also operates J&M earth augers.

CAUTION: Do not turn the switch to FORWARD until the CLAMP light in the pendant comes on, indicating adequate clamping pressure.



### III. OPERATING INSTRUCTIONS

#### E. OPERATION OF REMOTE-CONTROL PENDANT (CONTINUED)

c. To Stop Vibration:

Turn the vibrator switch to OFF.

NOTE: Accidentally turning the switch to REVERSE normally has no effect and will not cause damage.

d. To Unclamp from Pile:

Turn the CLAMP switch to OPEN to release the hydraulic clamp so that the vibrator can be moved from the pile. Hold the CLAMP switch in the open position until the jaws are fully open.

CAUTION: Do not turn the switch to OPEN until a visual check indicates that vibration has stopped.

e. To change engine speed:

Turn the Governor switch (SLOW-FAST) to SLOW and the engine speed will decrease. Turn the switch to FAST and the engine speed will increase. Momentarily turning the throttle switch to FAST or SLOW during operations will adjust engine speed, and therefore vibrator speed, to facilitate the desired penetration rate.

f. Emergency stop button:

Push the EMERGENCY STOP button in and all operating functions will cease to operate. Diesel engine and vibrator will stop immediately.

g. If the remote control pendant is damaged or the pendant line is cut, you may still operate the vibrator by using the control switches on the control panel (See Fig. 1 on page III-1 items Q & S). On the upper left of the control panel there is a switch labeled "PENDANT-LOCAL". Turn the switch to LOCAL and the switches on the control panel will be functional, and the Remote Control Pendant will be disabled.



MODEL 22  
VIBRATORY  
DRIVER/EXTRACTOR

# OPERATING INSTRUCTIONS

### III. OPERATING INSTRUCTIONS

#### F. CHANGING FREQUENCY

1. In order to provide maximum flexibility in achieving optimum pile penetration and extraction rates, the frequency of the vibratory driver is adjustable.
2. The frequency can be varied from 900 to 1650 vibrations per minute by changing engine speed. Engine speed is changed with the ENGINE THROTTLE on the control panel or electric throttle switch (SLOW-FAST) on the remote control pendant. Vibrator frequency corresponds to engine speed according to the table shown below:

<u>ENGINE RPM</u>	<u>VIBRATOR VPM</u>
2100	1650
2000	1500
1700	1275
1500	1125

#### G. SHUT DOWN

1. Stop the vibrator.
2. Allow the diesel engine to run for five minutes at 1500 RPM.
3. Reduce speed to low idle for about thirty seconds.
4. Stop the engine by turning the ENGINE START switch to OFF. (Engine may also be stopped by pushing in the EMERGENCY STOP button on the Remote Control Pendant.)
5. The main power circuit breaker must be put in the off position to stop all electrical current from the batteries.

**CAUTION:** If the diesel engine is shut down while the vibrator is clamped to a pile, the clamp check valve will keep the vibrator clamped to the pile. However, system leakage could result in a loss of clamp pressure over time. Therefore, it is not recommended to leave the vibrator clamped to a pile when the diesel engine is not running.



MODEL 22  
VIBRATORY  
DRIVER/EXTRACTOR

# OPERATING INSTRUCTIONS

## IV. MAINTENANCE AND ADJUSTMENTS

### A. GENERAL

Preventive maintenance includes normal servicing that will keep the vibratory driver, clamp and power unit in peak operating condition and prevent unnecessary trouble from developing. This servicing consists of periodic lubrication and inspection of the moving parts and accessories of the unit.

Lubrication is an essential part of preventative maintenance, controlling to a great extent the useful life of the unit. Different lubricants are needed and some components in the unit require more frequent lubrication than others. Therefore, it is important that the instructions regarding types of lubricants and frequency of their applications be closely followed.

To prevent minor irregularities from developing into serious conditions that might involve shut-down and major repair, several other services or inspections are recommended for the same intervals as the periodic lubrications. The purpose of these services or inspections is to assure the uninterrupted operation of the unit.

Thoroughly clean all lubrication fittings, caps, filler and level plugs and their surrounding surfaces before servicing. Prevent dirt from entering with lubricants and coolants. The intervals given in the schedule are based on normal operation. Perform these services, inspections, etc., more often as needed for operation under abnormal or severe conditions.

### B. DAILY

1. Check the entire unit prior to and during set-up each day or at the beginning of each shift.
2. Prior to starting the power unit or at the beginning of each shift, check the following items:
  - a. Visibly inspect all bolts, nuts and screws, including the bolts fastening the hydraulic clamp to the vibration case, to insure they are tight. **IMPORTANT:** vibration loosens bolts- check carefully.
  - b. Tighten bolts holding gripping jaws to the hydraulic clamp.
  - c. Grease plunger in hydraulic clamp with any good multi-purpose grease.
  - d. Check the oil level in the vibration case and add oil if required. The oil level should be in the middle of the sight glass. Change oil if milky or contaminated. **DO NOT OVERFILL**
  - e. Check the oil level in the hydraulic reservoir and refill if necessary.

**CAUTION:** It is absolutely imperative that no dirt or other impurities be permitted to contaminate the hydraulic oil. Any contamination will drastically shorten the life of the high-pressure hydraulic system.





MODEL 22  
VIBRATORY  
DRIVER/EXTRACTOR

# OPERATING INSTRUCTIONS

## IV. MAINTENANCE AND ADJUSTMENTS

### B. DAILY (CONTINUED)

- f. Visually check all hoses for signs of damage or cuts that might cause hose failure during operation. Be sure all connections are tight, especially the quick-disconnect couplers.
  - g. Visually inspect all suppressor elastomers.
  - h. Electrical components need no maintenance except periodic wiping with a clean, dry, lint-free cloth to remove dust.
  - i. Perform all daily maintenance checks and lubrication indicated in the CATERPILLAR OPERATION GUIDE.
3. After engine start-up, check the following:
- a. Check all hydraulic hoses for leaks. Make sure they hang freely with no kinks.
  - b. Check pump and all hydraulic manifolds for leaks.
  - c. Check the filter indicators. 0-17psi = Filter Clean, 18-23psi = Change Filter, 24 + psi = Filter Clogged The return filter on the power pack must be checked with the diesel engine running at full speed.

### C. 100 HOURS, 500 HOURS AND OTHER

1. Every 100 hours, drain and add new lubricant in the vibration case.
2. Perform all maintenance checks and lubrication indicated in the CATERPILLAR OPERATION GUIDE.

### D. ANNUALLY

Have the hydraulic oil tested by a local hydraulic service center or oil company. Replace if required.

NOTE: The frequency with which hydraulic oil requires changing depends both on the condition of the oil and the operating conditions involved. The most accurate method for determining how often oil should be changed is to have a laboratory oil analysis done periodically.



MODEL 22  
VIBRATORY  
DRIVER/EXTRACTOR

# OPERATING INSTRUCTIONS

## IV. MAINTENANCE AND ADJUSTMENTS

### E. SEVERE CONDITIONS

The servicing intervals specified are based on normal operating conditions. Operation under severe or unusual conditions will require some adjustments in servicing intervals.

1. When the average temperature is above 80°F (26°C) or below -10°F (-23°C), reduce service time intervals by one-half of those specified above.
2. When operating in the presence of dust or sand, reduce service time intervals by one-half of those specified.
3. When operating in excess of twelve hours per day, reduce service time intervals by one-half of those specified.
4. When operating in air with high salt or moisture, the servicing intervals need not usually be changed. However, the unit should be inspected weekly to determine if additional servicing be required. Also, have hydraulic oil tested quarterly.
5. For extended inactive periods, the engine should be started at least once a week and run until thoroughly warm. Servicing time intervals may be extended from those specified, but for actual time intervals, contact your local Caterpillar dealer, especially during lengthy storage periods.

### F. LUBRICATION

1. Crankcase (Diesel Engine)
  - a. Follow the engine manufacturer's maintenance schedule and the lubricating oil specifications outlined in the CATERPILLAR OPERATION GUIDE.
  - b. The lubricant shall meet the performance requirements of API Service Classifications CH-4.
  - c. New engines are shipped with Caterpillar SAE 15W-40 but the following multi-grade crankcase oils are acceptable for use or replacement in normal operation (10°F to 90°F) (-12°C to 32°C).



MODEL 22  
VIBRATORY  
DRIVER/EXTRACTOR

# OPERATING INSTRUCTIONS

## IV. MAINTENANCE AND ADJUSTMENTS

### F. LUBRICATION (CONTINUED)

ASHLAND	-15W-40	400M + HDT
AMOCO	- 15W-40	300
ARCO	- 15W-40	Fleet S3 Plus
BORON (BP)	- 15W-40	Vanellus C Extra
CHEVRON	- 15W-40	Delo 400
CITGO	- 15W-40	C500 Plus
CONOCO	- 15W-40	Fleet Supreme
EXXON	- 15W-40	XD3
MOBIL	- 15W-40	Delvac Super
PHILLIPS	- 15W-40	Super HD II
SHELL	- 15W-40	Rotella T
SUN	- 15W-40	Sunfleet Super C
TEXACO	- 15W-40	Ursa Super Plus
UNION	- 15W-40	Guardol
VALVOLINE	- 15W-40	All Fleet

- d. For operation in extreme sub-zero climate, refer to the CATERPILLAR OPERATION GUIDE Crankcase Lubricating Oils or contact the nearest Caterpillar representative. (CAT bulletin #SEBU5898-06)

#### 2. Hydraulic System

To maintain the maximum operating efficiency in the precision parts of the hydraulic system, it is extremely important to eliminate factors which can cause breakdowns or unsatisfactory performance. Among the most common of these factors are rust, corrosion, contamination and products of oil deterioration. Most problems can be minimized or avoided simply by maintaining a disciplined preventive maintenance program.

Some simple steps to follow as part of that program are:

- a. Keep stored oil dry and clean at all times and always store in clean containers.
- b. Always clean tools, spouts, lids, funnels, etc. when used in conjunction with the transfer of oil.
- c. Never put dirty oil into the hydraulic system. Use only clean, uncontaminated oil of the types recommended below. Never return to the system any oil which has leaked out.  
NOTE: Foreign material in the hydraulic system can drastically effect the life and operation of many hydraulic component parts.
- d. Clean or replace filter elements at the first indication that they are dirty or ineffective.



MODEL 22  
VIBRATORY  
DRIVER/EXTRACTOR

# OPERATING INSTRUCTIONS

## IV. MAINTENANCE AND ADJUSTMENTS

### F. LUBRICATION (CONTINUED)

Mixing of different manufacturers' hydraulic oil is not recommended. However, it can be done if the oils are miscible (contain the same base and additive). It will be necessary to contact an oil supplier to determine this.

New power units are shipped with Terresolve Invirological 146 Hydraulic oil. This oil is non-toxic and will not harm soil or water and is biodegradable. Adding any other oil from the list below, will contaminate the Terresolve oil and the system will no longer be environmentally friendly. Change hydraulic oil if it looks milky. This includes all hydraulic hoses leading to and from the vibro.

Should the customer choose to use an alternate oil, the following recommendations may be used when replacing oil in the hydraulic system.

#### FIRST Preference Group:

TERRESOLVE	Invirological 146
CHEVRON	Clarity AW46
MOBIL	DTE-15
SUN	2105

#### SECOND Preference Group:

ARCO	Duro AW46
CHEVRON	Hydraulic AW46
PHILLIPS	Magnus A46
SHELL	Tellus 46

#### THIRD Preference Group:

BORON	Energol HLP46
CITGO	A.W. Hydraulic 46
CONOCO	Super 46
EXXON	Nuto H46
GULF	Harmony 46AW
SUN	Sunvis 846
TEXACO	Rando HD AZ46
UNION	Unax AW46

Whenever oils from the second preference group are used, it is necessary to test the oil more often to insure that viscosity remains within recommended limits while in service. Using oils from the third preference group requires even a more discerning inspection than use of oils from the second group.

The recommended oils were chosen based on the hydraulic system operating temperature range being 5°F (-15 °C) (cold ambient start-up) to 160°F (71°C) (maximum operating).



MODEL 22  
VIBRATORY  
DRIVER/EXTRACTOR

# OPERATING INSTRUCTIONS

## IV. MAINTENANCE AND ADJUSTMENTS

### F. LUBRICATION (CONTINUED)

When operating in arctic conditions, it is recommended to use an immersion heater to pre-heat the oil prior to starting . Contact J&M for other arctic operating procedures. It may also be necessary in extremely cold or hot climates to use a different viscosity oil which is better adapted to adverse conditions. Contact the nearest oil supply representative for suggested procedures.

Terresolve Invirological 146 hydraulic oil is available from J&M in five gallon cans. See SECTION VIII - ORDERING PARTS, page VIII-36.

#### 3. Vibration Case

The oil level is easily read through the sight glass located at the lower center of the vibration case on the motor side. Lubricating oil may be added when necessary, through the hole in the vibration case top plate after removing the 1" pipe plug. To drain the case, remove the 3/4" pipe plug at the end of the base plate. Tilt the case for complete drainage.

The preferred lubricating oil for J&M vibration cases is "High Moly" oil (Schaeffer 268). Longer intervals between oil changes and fewer maintenance hours spent on mechanical service can generally be realized with this oil.

Therefore, whenever the "first preferred" oil is not available, or desired, and an alternate oil is selected, it will be necessary to test and/or change the oil at shorter intervals.

Extensive tests have indicated that the use of Schaeffer 268 results in cooler operation and extended bearing and gear life.



MODEL 22  
VIBRATORY  
DRIVER/EXTRACTOR

# OPERATING INSTRUCTIONS

## IV. MAINTENANCE AND ADJUSTMENTS

### F. LUBRICATION (CONTINUED)

- a. The vibration case lubricant installed at the factory is Schaeffer 268 but the following gear lubes may be used when changing lubricants:

FIRST Preference Group:  
SCHAEFFER 268

SECOND Preference Group:  
MOBIL SHC-634  
BORON Gearep 140  
CHEVRON Gear Comp. NL460  
CITGO Premium MP 85W-140  
CITGO Standard MP 85W-140  
GULF Lub 85W-140 Lub 85W-140  
PHILLIPS MP 85W-140  
SHELL Omala 460 Omala 460  
SUN Sunep 1110

THIRD Preference Group (Natural Petroleum Base):  
AMOCO Perma Gear EP140  
ARCO Pennant NL 460  
CONOCO EP 460  
EXXON Spartan EP 460  
PHILLIPS AP 140  
TEXACO Meropa 460  
UNION MP 85W-140  
VALVOLINE Gear Lub 85W-140

SCHAEFFER 268 Lubricant is available from J&M in five gallon cans. See SECTION VIII ORDERING PARTS, page VIII-36

### G. CAPACITIES

- |                                 |     |         |
|---------------------------------|-----|---------|
| 1. Diesel Engine Crankcase      | 33  | Quarts  |
| 2. Hydraulic System (Reservoir) | 280 | Gallons |
| 3. Vibration Case               | 1.5 | Gallons |
| 4. Fuel Tank Sub-Base (Diesel)  | 130 | Gallons |
| 5. Engine Cooling System        | 48  | Quarts  |



MODEL 22  
VIBRATORY  
DRIVER/EXTRACTOR

# OPERATING INSTRUCTIONS

## IV. MAINTENANCE AND ADJUSTMENTS

### H. DRAINING AND FILLING HYDRAULIC OIL RESERVOIR

1. The Hydraulic reservoir is drained by removing a plug on the bottom of the reservoir.
2. The hydraulic reservoir is filled by the manual pump mounted on the back (engine side) of the reservoir. All oil is pumped to the reservoir through the returned filter (F2) to insure no dirt enters the hydraulic system.

### I. CHANGING HYDRAULIC RETURN FILTER ELEMENTS

1. The return filters are located on the hydraulic reservoir above the hex key rack.
2. To remove the return filter elements, you must use a filter wrench capable of accepting a 5" diameter filter. (Available at your local auto-parts store.) Unscrew the return filter elements counterclockwise to remove. Remove both filter elements and gaskets from the filter housing.
3. Clean filter housing with a lint free rag.
4. Install the new gaskets to the new filter elements. Apply a light coating of multi-purpose grease to the top of each gasket.
5. Screw the return filter elements and gaskets clockwise onto the filter housing until the gaskets make contact to the filter housing base.
6. Using the filter wrench, tighten both return filter elements approximately 3/4 of a turn.
7. Repeat above with the other two return filters.
8. With four new return filter elements installed, start the power unit and run for approximately three minutes. CHECK FOR LEAKS.



MODEL 22  
VIBRATORY  
DRIVER/EXTRACTOR

# OPERATING INSTRUCTIONS

## IV. MAINTENANCE AND ADJUSTMENTS

### J. BOLT TORQUE INFORMATION

The only way to actually tighten high strength bolts is with a calibrated torque wrench. Proper use of the torque wrench is important. To obtain the listed torques, a steady pull should be exerted to the handle until the desired torque is reached.

The following torque specifications apply to the bolts from the vibrator assemblies listed. Whenever any of these bolts, are replaced, the given torque specifications should be adhered to.

#### VIBRATION SUPPRESSOR Page VIII-6

Item 14	1/2"-13	119 Ft-Lbs (16.4 Kg-M)
Item 17	5/8"-11	233 Ft-Lbs (32.3 Kg-M)
Item 8, 12, 27	3/4"-10	417 Ft-Lbs (57.6 Kg-M)

#### VIBRATION CASE Page VIII-8

Item 16, 21	1/2"-13	119 Ft-Lbs (16.4 Kg-M)
Item 17	3/4"-10	417 Ft-Lbs (57.6 Kg-M)





MODEL 22  
VIBRATORY  
DRIVER/EXTRACTOR

# OPERATING INSTRUCTIONS

V. HYDRAULIC CIRCUITRY (REFERENCE:HYDRAULIC SCHEMATIC PG V-4)

A. HYDRAULIC CLAMP

With the diesel engine running, hydraulic oil is taken from the reservoir by the clamp pump (P2) and directed to the CLAMP MANIFOLD. The clamp pump flow returns to the reservoir through the RETURN FILTER (F2), if the clamp switch on the pendant is in the neutral position

Turning the clamp switch on the control pendant to CLOSE activates the CLAMP CONTROL VALVE (V1). Hydraulic oil is directed to the CLOSE CLAMP side of the hydraulic CYLINDER (CYL) in the hydraulic clamp. The clamp closes. Clamping pressure is indicated by the clamp pressure gage (GA-2). When clamping pressure reaches approximately 4800 PSI (331 Bar), the CLAMP PRESSURE SWITCH (PS) deactivates the clamp control valve (V1), which directs the flow from the clamp pump to the reservoir. Pressure at the clamp is maintained by the CLAMP CHECK VALVE (CV1). If clamping pressure falls below 4500 PSI (310 Bar), the CLAMP PRESSURE SWITCH activates the clamp control valve to restore pressure.

Turning the clamp switch on the control pendant to OPEN activates the CLAMP CONTROL VALVE (V1). Hydraulic oil is directed to the OPEN CLAMP side of the hydraulic cylinder. The pressure in the OPEN CLAMP line opens the CLAMP CHECK VALVE (CV1). The clamp opens. Pressure in the OPEN CLAMP line is indicated by the clamp pressure gage (GA-4).

Pressure in the clamping circuit is limited to 4800 (331 Bar) PSI by the clamp RELIEF VALVE (RV2). The quick-disconnect couplers (QD3 & QD4) permit decoupling of the clamp hoses at the power unit.

NOTE: Clamp pump may also be used to power some auxiliary functions. Contact J&M for information on "POWER BEYOND" modifications.

B. VIBRATOR DRIVE

With the diesel engine running, hydraulic oil is taken from the reservoir by the DRIVE PUMP (P1) and directed to the CONTROL MANIFOLD. The drive pump flow returns to the reservoir through the RETURN FILTER (F2), if the vibrator switch on the pendant is in the off position.

Turning the vibrator switch, on the control pendant, to FORWARD activates the FORWARD SOLENOID on the CONTROL VALVE (V2), directing pump flow to the VIBRATOR MOTOR (M).



MODEL 22  
VIBRATORY  
DRIVER/EXTRACTOR

# OPERATING INSTRUCTIONS

V. HYDRAULIC CIRCUITRY

B. VIBRATOR DRIVE (CONTINUED)

Full motor speed is reached within a few seconds and the motor drive pressure is indicated by GAGE (GA-1). Maximum drive pressure is limited to approximately 4500 PSI (310 Bar) by the RELIEF VALVE (RV1). Oil exiting VIBRATOR MOTOR (M) opens cartridge BV and returns to the power unit. Cartridge BV opens easily because its pilot flow is "vented" by BRAKE VALVE (RV5). BRAKE VALVE (RV5) is held open by pressure coming from the motor drive FORWARD system. Case drain oil from the motor returns to the reservoir. Case drain pressure is limited to 50 PSI (3.4 Bar) by the case drain RELIEF VALVE (RV3). Oil returning to the power unit reservoir flows through the HEAT EXCHANGER (HE) and RETURN FILTERS (F2).

Returning the Vibrator Switch to the off position de-energizes control valve (V2), which allows pump flow to return to the reservoir without driving the vibrator. When pressure is removed from the drive FORWARD system, the BRAKE VALVE RELIEF (RV5) closes and blocks the pilot flow BRAKE VALVE (BV) cartridge and causing it to close. Maximum brake pressure generated by BRAKE VALVE (BV) is limited by BRAKE VALVE RELIEF (RV5) to 2000 PSI (138 Bar). This 2000 PSI (138 Bar) back pressure rapidly brakes the motor (M) to a stop.

Moving the vibrator switch, on the control pendant, to REVERSE activates the REVERSE SOLENOID on the CONTROL VALVE (V2). Pump flow is directed to the back side of the BRAKE VALVE (BV) cartridge thus causing the ANTI-CAVITAION valve (CV3) to open returning oil to the reservoir, having no effect to operation.

The quick-disconnect couplers (QD1, QD2, and QD5) permit de-coupling of the drive and case drain hoses at the power unit.

C. AUGER DRIVE

See J&M Auger Manuals for description of Hydraulic Control Manifold operation, in the "Auger Mode."



MODEL 22  
VIBRATORY  
DRIVER/EXTRACTOR

# OPERATING INSTRUCTIONS

V. HYDRAULIC CIRCUITRY

D. HYDRAULIC IMPACT HAMMER

To convert a 350 Power Unit to operate an J&M Hydraulic Impact Hammer, readjust RELIEF VALVE (RV2) to 1000 psi (69 Bar). **"NOT THE PRESSURE SWITCH"**

See J&M Hydraulic Impact Hammer Manual for complete Impact Hammer set up instructions.

E. OTHER

Returning oil is filtered by the RETURN FILTER (F2). INDICATOR GAGE (GA5) shows condition of FILTER (F2).

A manual PUMP (MP) is provided to fill the hydraulic reservoir. A CHECK VALVE (CV4) prevents loss of oil from the reservoir back through this pump.

A TEMPERATURE SWITCH (TS) located in the reservoir operates the hydraulic fluid cold light.

A FLOAT SWITCH (FS) located in the reservoir operates the hydraulic fluid level low light.

The HEAT EXCHANGER (HE) cools the hydraulic oil returning to the reservoir.

Motor cavitation is prevented in the braking operation by the CHECK VALVE (CV3).

Shut- off VALVE (MV1) permits pump maintenance without draining oil reservoir. CAUTION: DO NOT start engine with MV1 closed.

65 PSI Check VALVE (CV2) prevents excess pressure from damaging HEAT EXCHANGER (HE).

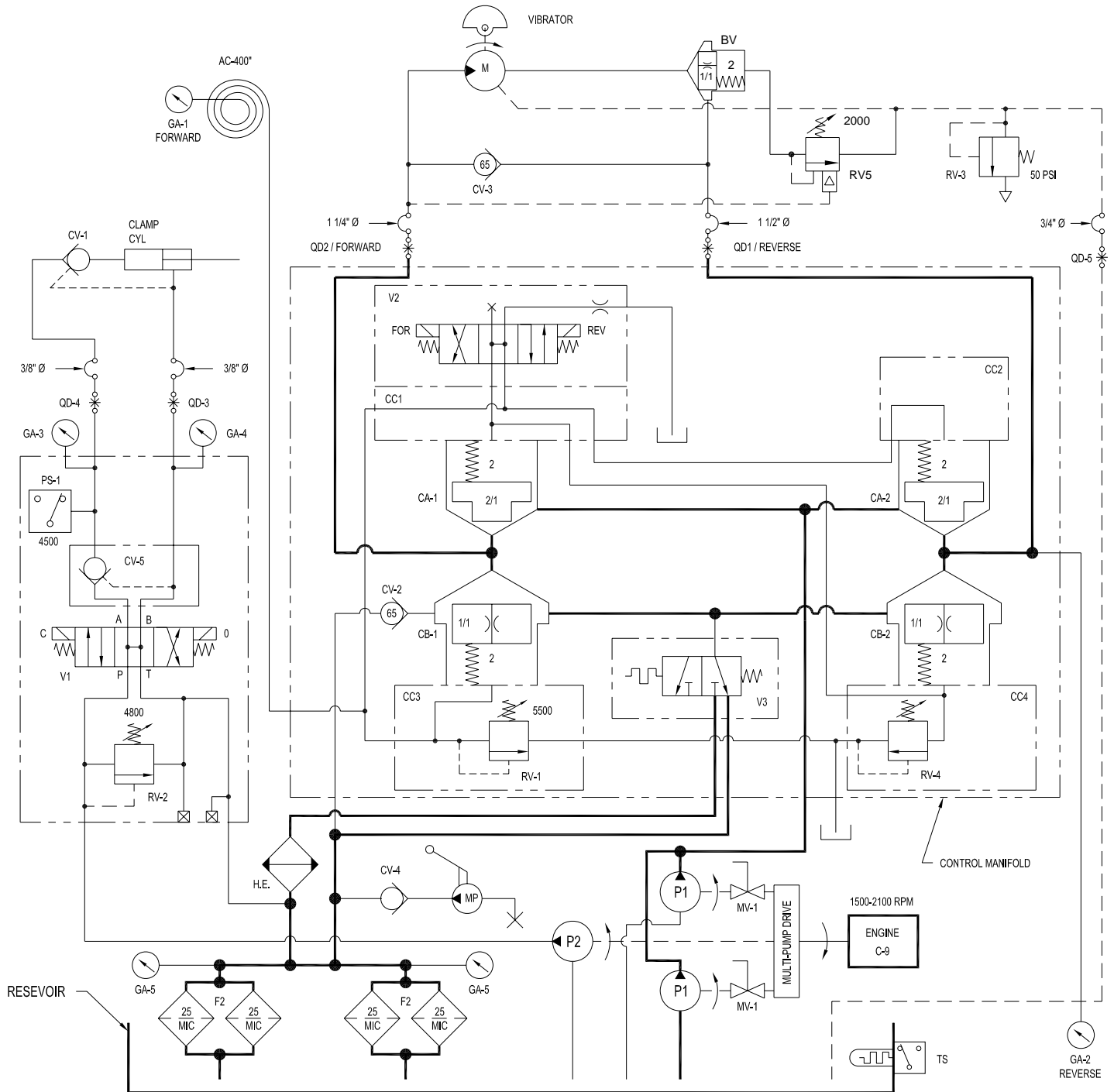


MODEL 22  
VIBRATORY  
DRIVER/EXTRACTOR

# OPERATING INSTRUCTIONS

## V. HYDRAULIC CIRCUITRY

## HYDRAULIC SCHEMATIC





MODEL 22  
VIBRATORY  
DRIVER/EXTRACTOR

# OPERATING INSTRUCTIONS

V. HYDRAULIC CIRCUITRY

F. HYDRAULIC COMPONENTS LIST

Notation	Description	Part Number	Page Ref.
AC	Accumulator Hose	110680	VIII-17
BV	Brake Valve Cartridge	110150	VIII-11
CA1 & 2	Cartridge A (2)	110624	VIII-31
CB1 & 2	Cartridge B (2)	110622	VIII-31
CC1	Cartridge Cover	110262	VIII-31
CC2	Cartridge Cover	110546	VIII-31
CC3	Cartridge Cover	110606	VIII-31
CC4	Cartridge Cover	110544	VIII-31
CV1	Check Valve - Clamp Cylinder	120629	VIII-35
CV2	Check Valve Bypass	130339	VIII-31
CV3	Check Valve - Vibrator	100308	VIII-11
CV4	Check Valve - Manual Pump	100451	VIII-25
CV5	Check Valve - Clamp Manifold	110149	VIII-33
CYL	Hydraulic Clamp Cylinder		
E	Diesel Engine	170307	VIII-24
F2	Filter Return Element (4)	100518	VIII-24
FS	Float Switch	100314	VIII-27
GA1-4	Gage: Drive and Clamp Pressure	110600	VIII-19
GA5	Gage Filter Indicator (2)	100436	VIII-27
HE	Heat Exchanger	170925	VIII-24
M	Motor	110328	VIII-9
MP	Manual Pump	100447	VIII-25
MV1	Manual Valve	100224	
P1	Pump Drive	100406	VIII-24
P2	Pump Clamp	100684	VIII-24
PS-1	Pressure Switch Clamp	810425	VIII-33
QD1	Disconnect Vibrator Reverse	110690	VIII-24
QD2	Disconnect Vibrator Forward	110692	VIII-24
QD3	Disconnect Clamp Open	100777	VIII-26
QD4	Disconnect Clamp Close	100245	VIII-26
QD5	Disconnect Case Drain	400095	VIII-24
RV1	Relief Valve Forward	100632	VIII-31
RV2	Relief Valve Clamp	100898	VIII-33
RV3	Relief Valve Case Drain	100032	VIII-11
RV4	Relief Valve Reverse	100632	VIII-31
RV5	Relief Valve Brake	110242	VIII-11
TS	Temperature Switch	400115	VIII-26
V1	Control Valve Clamp	110147	VIII-33
V2	Control Valve Forward / Reverse	110147	VIII-31
V3	Cooler Valve	110628	VIII-31



MODEL 22  
VIBRATORY  
DRIVER/EXTRACTOR

# OPERATING INSTRUCTIONS

## VI. ELECTRIC CIRCUITRY (REFERENCE:ELECTRICAL SCHEMATIC PG VI-5)

### A. STARTING DIESEL ENGINE

The engine batteries (EB1, EB2) provides 24-volt current to start the diesel engine. With the MAIN POWER (CB2) switch ON (the vibrator switch REV-FOR on the remote control pendant should be in the OFF position "neutral") and holding the SHUTDOWN RESET button in, turning the ENGINE START SWITCH to START will energize the start relay which energizes the STARTER MOTOR and turns over the diesel engine. If fuel is available, the diesel engine will start.

### B. STOPPING DIESEL ENGINE

Turning the engine start switch to OFF de-energizes the switched power to the ECM which shuts off the fuel supply to the diesel engine. The engine stops.

### C. SAFETY CONTROL SYSTEM

A system of safety controls shut off the fuel supply, which stops the diesel engine in the event that engine water temperature is too high or engine oil pressure is too low. The heart of the safety system is the shutdown reset, which is normally closed, thereby providing current to operate the HOUR METER (M1) and to energize the switched power to the ECM. The shutdown reset must remain closed so that fuel continues to flow to the diesel engine.

If the coil in the shutdown reset is energized, the shutdown reset will open, shutting off the fuel to the diesel engine. The engine will stop. The coil may be energized by either of the following devices:

1. Engine Oil Pressure Gage - If oil pressure is below 15 PSI (1 Bar), the contacts of the gage will be closed providing current to energize the shutdown rest coil. During start-up, the button of the shutdown reset (on the control panel) must be held in until the oil pressure exceeds 30 PSI (2 Bar).
2. Engine Water Temperature Gage - If water temperature exceeds 210°F (99° C), the contacts of the gage will close energizing the shutdown reset coil.
3. Emergency Stop - When the diesel engine is running, pressing the EMERGENCY STOP BUTTON on remote control pendant energizes the coil on the shutdown reset. The shutdown reset opens and the engine and the vibrator are stopped.
4. Hydraulic Level Float Switch - If the hydraulic fluid level drops below the float switch (about 30 gallons), the contacts of the switch will close energizing the shutdown reset coil. This also will turn on the HYDRAULIC FLUID LEVEL LOW light.



MODEL 22  
VIBRATORY  
DRIVER/EXTRACTOR

# OPERATING INSTRUCTIONS

## VI. ELECTRICAL CIRCUITRY

### D. CLOSING HYDRAULIC CLAMP

With the diesel engine running, turning the clamp switch (OPEN-CLOSE), on the control pendant to CLOSE energizes the close-clamp solenoid (CLOSE-SOL.). This operates the clamp control hydraulic valve and closes the clamp.

When the pressure in the close-clamp hydraulic circuit reaches 4800 PSI (331 Bar), the pressure switch (PS-1) opens and de-energizes the CLOSE-CLAMP solenoid and turns on the CLAMP LIGHTS on the control pendant and control panel. If close-clamp pressure falls below 4500 PSI (310 Bar), the pressure switch closes and re-energizes the close-clamp solenoid to rebuild pressure. The clamp lights go out. When pressure returns to 4800 PSI (331 Bar), The pressure switch opens de-energizing the close-clamp solenoid and turns on the CLAMP LIGHTS.

### E. OPENING HYDRAULIC CLAMP

With the diesel engine running, turning the clamp switch (OPEN-CLOSE) to OPEN energizes the open-clamp solenoid (OPEN SOL.). The clamp opens.

### F. STARTING THE VIBRATOR

With the diesel engine running, turning the vibrator switch on the control pendant to the FORWARD position energizes the forward solenoid on the control valve (V2). The control valve directs hydraulic oil to the hydraulic motor and the vibrator starts.

### G. STOPPING THE VIBRATOR

With the diesel engine running, turning the vibrator switch on the control pendant to the OFF position de-energizes the control valve (V2). This stops the flow of hydraulic oil to the motor, and the vibrator stops.



MODEL 22  
VIBRATORY  
DRIVER/EXTRACTOR

# OPERATING INSTRUCTIONS

## VI. ELECTRICAL CIRCUITRY

### H. OTHER

The AMMETER (AM) indicates charging amperes. The TACHOMETER (TACH) indicates engine speed. The hour meter (M1) indicates the engine operating hours. The TEMPERATURE SWITCH turns on the HYDRAULIC FLUID COLD LIGHT if the temperature of the hydraulic fluid in the reservoir is below 70°F (21° C). At 70°F (21°C) or above, the temperature switch turns off the hydraulic fluid cold light.

Duplicate vibrator and clamp switches are located on the control pendant and on the control panel. Turning the LOCAL-PENDANT switch to LOCAL activates only the clamp, vibrator switches and engine governor located on the control panel. Turning the LOCAL-PENDANT switch to PENDANT only permits operation of the clamp, vibrator and engine governor from the control pendant. The emergency stop button on the pendant is functional at all times.

Turning the Governor switch to the FAST position will increase engine speed (RPM). Turning the governor switch to the SLOW position will decrease engine speed.



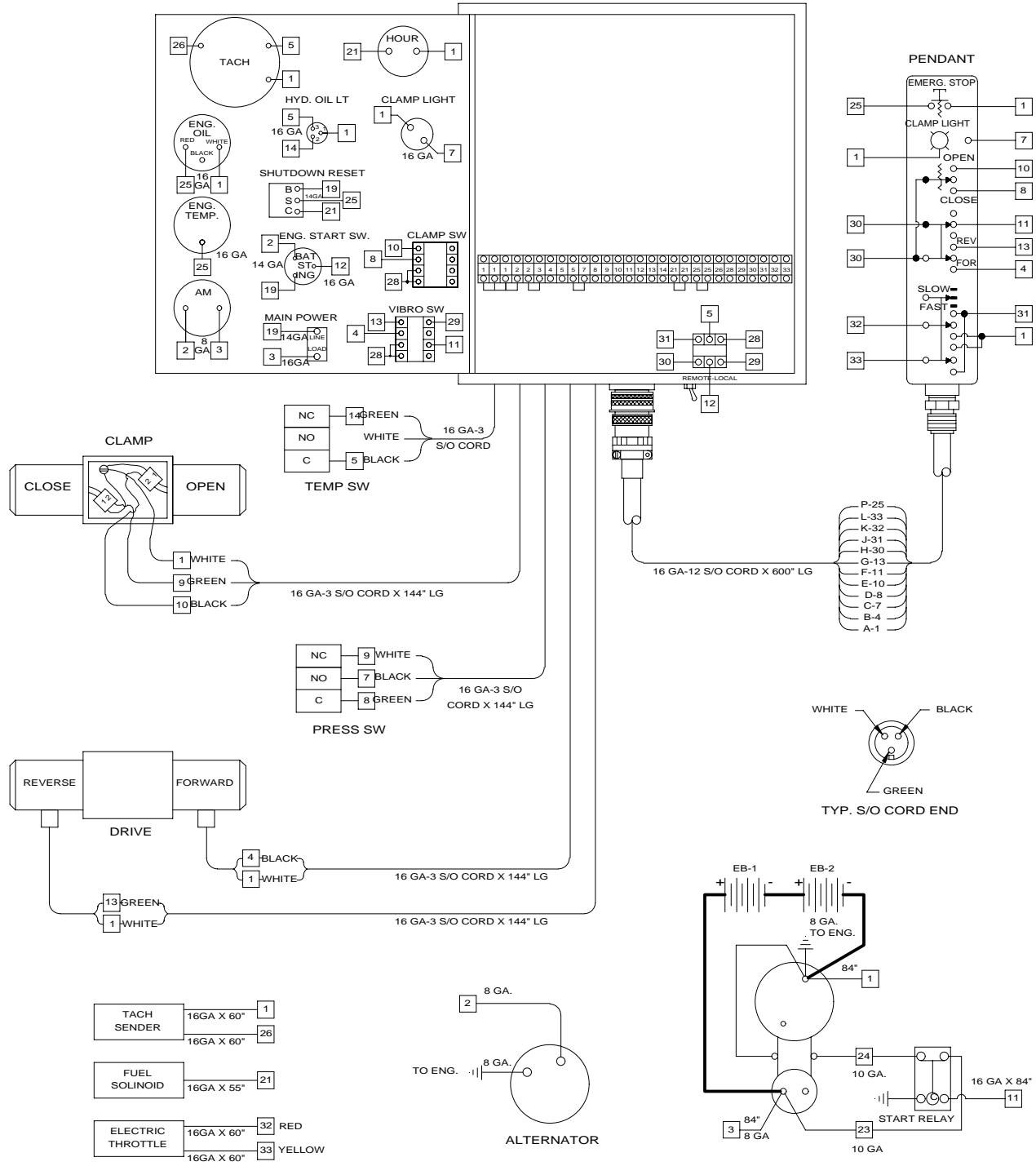


**MODEL 22  
VIBRATORY  
DRIVER/EXTRACTOR**

**OPERATING  
INSTRUCTIONS**

**VI. ELECTRICAL CIRCUITRY**

**ELECTRICAL LAYOUT**







MODEL 22  
VIBRATORY  
DRIVER/EXTRACTOR

# OPERATING INSTRUCTIONS

VI. ELECTRICAL CIRCUITRY

J. ELECTRICAL COMPONENTS LIST

<u>Notation</u>	<u>Reference</u>	<u>Part Number</u>	<u>Page Ref.</u>
ALTERNATOR	Alternator	See Cat. Parts Book	
DCVM	Ammeter	110371	VIII-17
BATTERY	24-Volt Battery	400890	VIII-24
CB2	Main Power Circuit Breaker	400141	VIII-17
CLAMP (2)	Clamp Switch	170837	VIII-17&21
ENG OIL PRESSURE	Oil Pressure Gage / Switch	100329	VIII-17
ENGINE CONTROL	Engine Start Switch	110615	VIII-17
COOLANT TEMP	Water Temperature Gage / Switch	130251	VIII-17
EMERG STOP	Emergency Stop Button	130507	VIII-21
FOR/REV (2)	Vibrator Switch (FWD/REV)	170841	VIII-17&21
HFLL	Hyd. Fluid Level Low Switch	100314	VIII-27
HFTS	Hyd.Fluid Temp. Switch	400115	VIII-26
LOCAL-PENDANT	Local-Pendant Switch	170843	VIII-17
LR	Engine Governor Decrease	170887	VIII-19
HOUR METER	Hour Meter	100343	VIII-17
OPEN/CLOSE (2)	Clamp Switch (OPEN/CLOSE)	170837	VIII-17&21
PS-1	Clamp Pressure Switch	810425	VIII-33
RR	Engine Governor Increase	170887	VIII-19
MAGNTIC PICK-UP	Tachometer Sender	170873	VIII-19
MAG SWITCH	Shutdown Reset (MURPHY)	130257	VIII-17
SLOW-FAST (2)	Engine Governor Switch	100566	VIII-17&21
STR MTR	Engine Starter	See Cat.Parts Book	
TACHOMETER	Tachometer	170905	VIII-17
TS	Temperature Switch	400115	VIII-26
V1A	Close-Clamp Solenoid (Valve)	110147	VIII-33
V1B	Open-Clamp Solenoid (Valve)	110147	VIII-33
V2A	Forward Solenoid (Valve)	110147	VIII-31
V2B	Reverse Solenoid (Valve)	110147	VIII-31



MODEL 22  
VIBRATORY  
DRIVER/EXTRACTOR

# OPERATING INSTRUCTIONS





MODEL 22  
VIBRATORY  
DRIVER/EXTRACTOR

# PARTS LIST

VII. GENERAL DATA

C. SERIAL NUMBER LOCATIONS

1. The following J&M vibratory units are serial numbered separately:
  - a. Vibrator
  - b. Power unit
2. In addition to the serial number plate itself (on vibrators and power units), the serial number is stamped into each unit in one or more places as follows:
  - a. Vibrator stamped twice - once on top right side of suppressor housing, once on bottom lip of vibration case on right side of motor side.
  - b. Power unit stamped twice - once on control panel side of unit at right corner of reservoir, once on sub-base inside door below hex-key rack.



MODEL 22  
VIBRATORY  
DRIVER/EXTRACTOR

# PARTS LIST

## VIII. ORDERING PARTS

### A. PROCEDURE

1. When ordering parts, be sure to include the model and serial number of the unit or component. The serial number may be located by referring to SECTION VII, SERIAL NUMBER LOCATION. Confirm all telephone orders, in writing immediately to avoid duplicating shipment.
2. ORIGINAL EQUIPMENT; Where component serial numbers are given, these apply only to equipment and components originally furnished with the unit. Where equipment has been changed or upgraded these numbers may not be an adequate description.
3. SHIPMENT; State to whom shipment is to be made and method of shipment desired, otherwise our own judgment will be used.
4. SHORTAGES; Claims for shortages or errors should be made immediately upon receipt of parts. No responsibility will be assumed for delay, damage or loss of material while in transit. Broken, damaged or lost material should be refused or a full description made of damage or loss to the carrier agent on the freight or express bill.
5. RETURN OF PARTS; If for any reason you desire to return parts to the factory or to any distributor from whom these parts were obtained, you must first secure permission to return the parts. Shipping instructions will be given along with this permission. A ten percent handling charge must be assessed against the returned shipment unless an error is made by the factory or by the distributor when filling your order.



**MODEL 22  
VIBRATORY  
DRIVER/EXTRACTOR**

# PARTS LIST

## VIII. ORDERING PARTS

### B. FITTING DESCRIPTION KEY

<p><u>FITT</u> 2 L - 16 M 12 J 00 0 - 00L 0 0 0 1</p>	<p><u>SELECTOR INDEX</u> 2 - INCH FITTING 9 - METRIC FITTING</p> <p><u>CONFIGURATION OR SHAPE OF FITTING</u> S - STRAIGHT FITTING L - 90 Deg. ELBOW V - 45 Deg. ELBOW T - TEE C - CAP P - PLUG U - UNION X - CROSS (FOURTH END FITT'G REQ'D.)</p> <p><u>FIRST END SIZE</u> * IN 1/16THS OF AN INCH (INDEX 2) IN MILLIMETERS (INDEX 9) SEE GENERAL SPECIFICATION SHEET FOR SEQUENCE OF ORDER</p> <p><u>FIRST END FITTING STYLE</u> SEE FITTING STYLE SELECTOR CHART SC-1</p> <p><u>SECOND END SIZE</u> IF APPLICABLE - SEE FIRST END SIZE</p> <p><u>SECOND END FITTING STYLE</u> IF APPLICABLE - SEE FIRST END FITTING STYLE</p> <p><u>THIRD END SIZE</u> IF APPLICABLE - SEE FIRST END SIZE</p> <p><u>THIRD END FITTING STYLE</u> IF APPLICABLE - SEE FIRST END SIZE</p> <p><u>* EXCEPTIONS</u> 90 = 10"      96 = 6" 92 = 12"      98 = 8" 94 = 14"      99 = NON CODE SIZE</p>	<p><u>MATERIAL</u> 1 - CARBON STEEL 2 - BRASS 4 - STAINLESS STL 5 - AAR MAL IRON 6 - MALEABLE IRON 8 - FORGED STEEL</p> <p><u>SPECIAL NOTATIONS</u></p> <p><u>PRESSURE RATING</u> 0 - NONE 1 - 125 LB. 3 - SCH 40 4 - SCH 80</p> <p><u>INSTALLATION AID OR STYLE OF HEAD</u> 0 - NOT APPLICABLE H - REGULAR HEX Q - SQUARE HEAD (EXT.) R - SQUARE HEAD (INT.) S - HEX HEAD (INT SOCKET) T - HEX HEAD (EXT.)</p> <p><u>LENGTH CODE</u> (ELBOWS &amp; NIPPLES) __L - LONG (ELBOW) __X - EXTRA LONG (ELBOW) __C - CLOSE (NIPPLE)</p> <p>PIPE NIPPLES (LONG) ONLY IN DEC. INCHES FOR INDEX 2 050 = 5.0 INCHES 105 = 10.5 INCHES</p> <p>IN MILLIMETERS FOR INDEX 9 120 = 12.0 MILLIMETERS 084 = 8.4 MILLIMETERS</p> <p><u>FOURTH END SIZE &amp; FITTING STYLE</u> (CROSSES ONLY) SEE FIRST END FITTING SIZE OR END STYLE</p>
---	--	---





**MODEL 22  
VIBRATORY  
DRIVER/EXTRACTOR**

# PARTS LIST

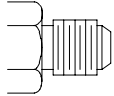
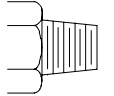
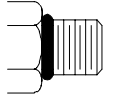
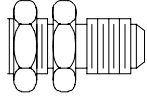
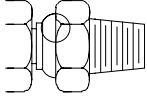
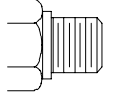
VIII. ORDERING PARTS

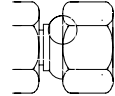
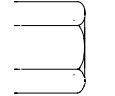

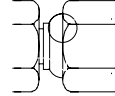
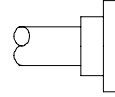
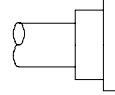
B. FITTING DESCRIPTION KEY (CONTINUED)

FITTING STYLE SELECTOR CHART

SC-1

FOR END FITTING STYLE SELECTION

<b>M</b>		JIC MALE 37 Deg. FLARE
<b>P</b>		MALE PIPE NPT
<b>R</b>		S.A.E. MALE O-RING (& ADJUSTABLE)
<b>B</b>		JIC MALE 37 Deg. FLARE BULKHEAD
<b>D</b>		MALE PIPE NPT SWIVEL
<b>S</b>		B.S.P. MALE PIPE

<b>J</b>		JIC FEMALE 37 Deg. FLARE (& SWIVEL)
<b>Q</b>		FEMALE PIPE NPTF
<b>K</b>		S.A.E. FEMALE O-RING
<b>N</b>		FEMALE PIPE NPSM-SWIVEL
<b>F</b>		SPLIT FLANGE 3000 PSI. CODE 61
<b>H</b>		SPLIT FLANGE 6000 PSI. CODE 62



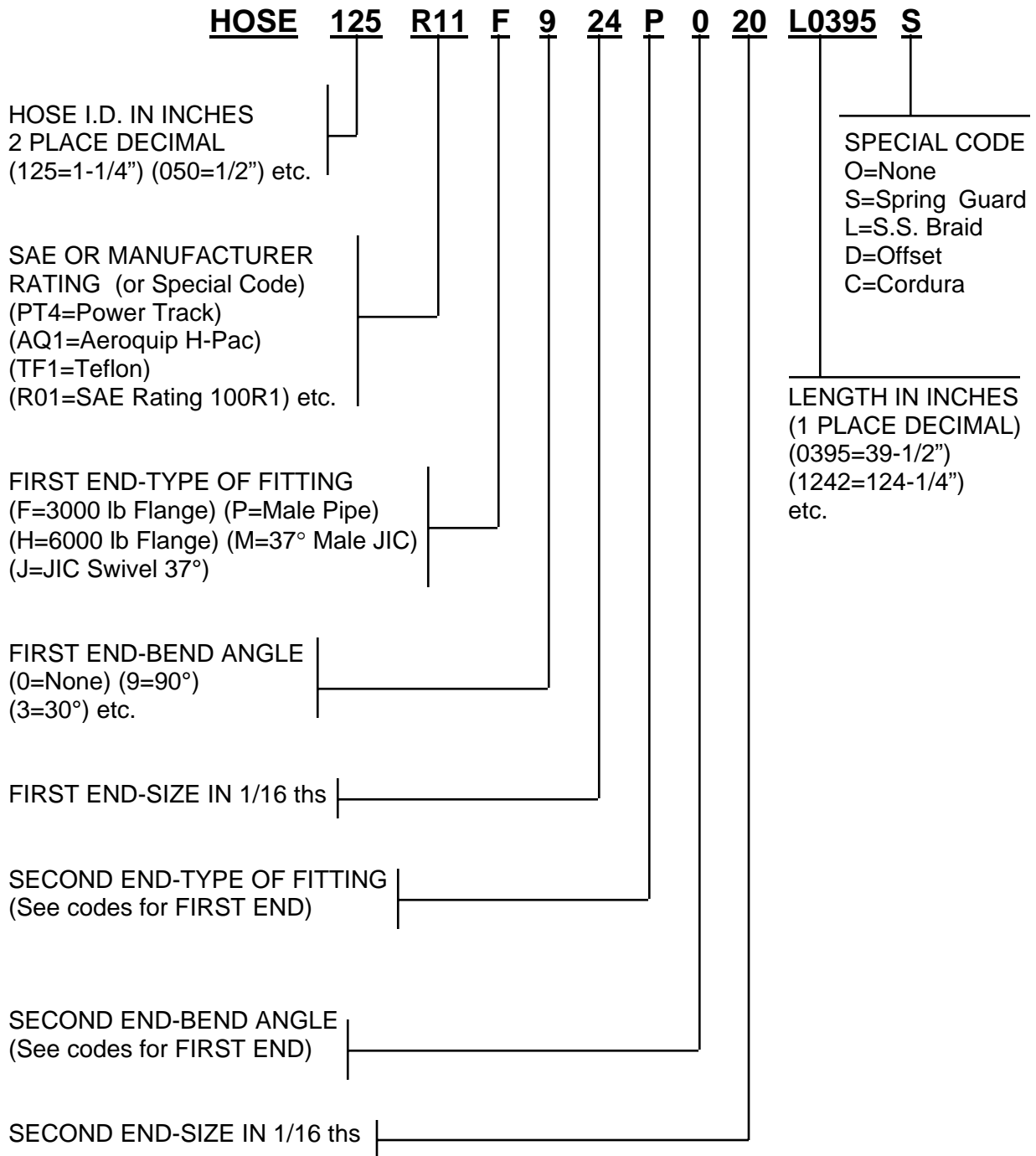
**MODEL 22  
VIBRATORY  
DRIVER/EXTRACTOR**

# PARTS LIST

VIII. ORDERING PARTS

C. HOSE DESCRIPTION CODE

The HOSE DESCRIPTION CODE is a 24 digit number enabling easier and quicker identification whenever a hose replacement is desired. The key below explains the structure of the coded number in detail.





MODEL 22  
VIBRATORY  
DRIVER/EXTRACTOR

# PARTS LIST

## VIII. ORDERING PARTS

### D. PARTS IDENTIFICATION

1. Parts lists and drawings are included on the following pages for the equipment components shown below:

a. VIBRATION SUPPRESSOR	175061
b. VIBRATION CASE	173036
c. TERMINAL MANIFOLD	173035
d. HOSE ASSEMBLIES -INTERCONNECTING	175063
e. POWER UNIT - ENCLOSURE	800379
f. CONTROL BOX	810913
g. PENDANT ASSEMBLY	800591
h. POWER UNIT - INTERNAL	800593
i. CONTROL MANIFOLD ASSEMBLY	810447
j. CLAMP MANIFOLD	810915
k. MODEL 126 UNIVERSAL CLAMP	800327

2. The spare parts list SECTION VIII - RECOMMENDED SPARE PARTS contains spare parts which may be very useful in keeping down-time to a minimum, especially in remote or secluded job sites where unforeseen communication problems could cause delay of the delivery of an awaited part.

These RECOMMENDED SPARE PARTS may be ordered beforehand, individually or as a package group as shown in the PARTS LIST.

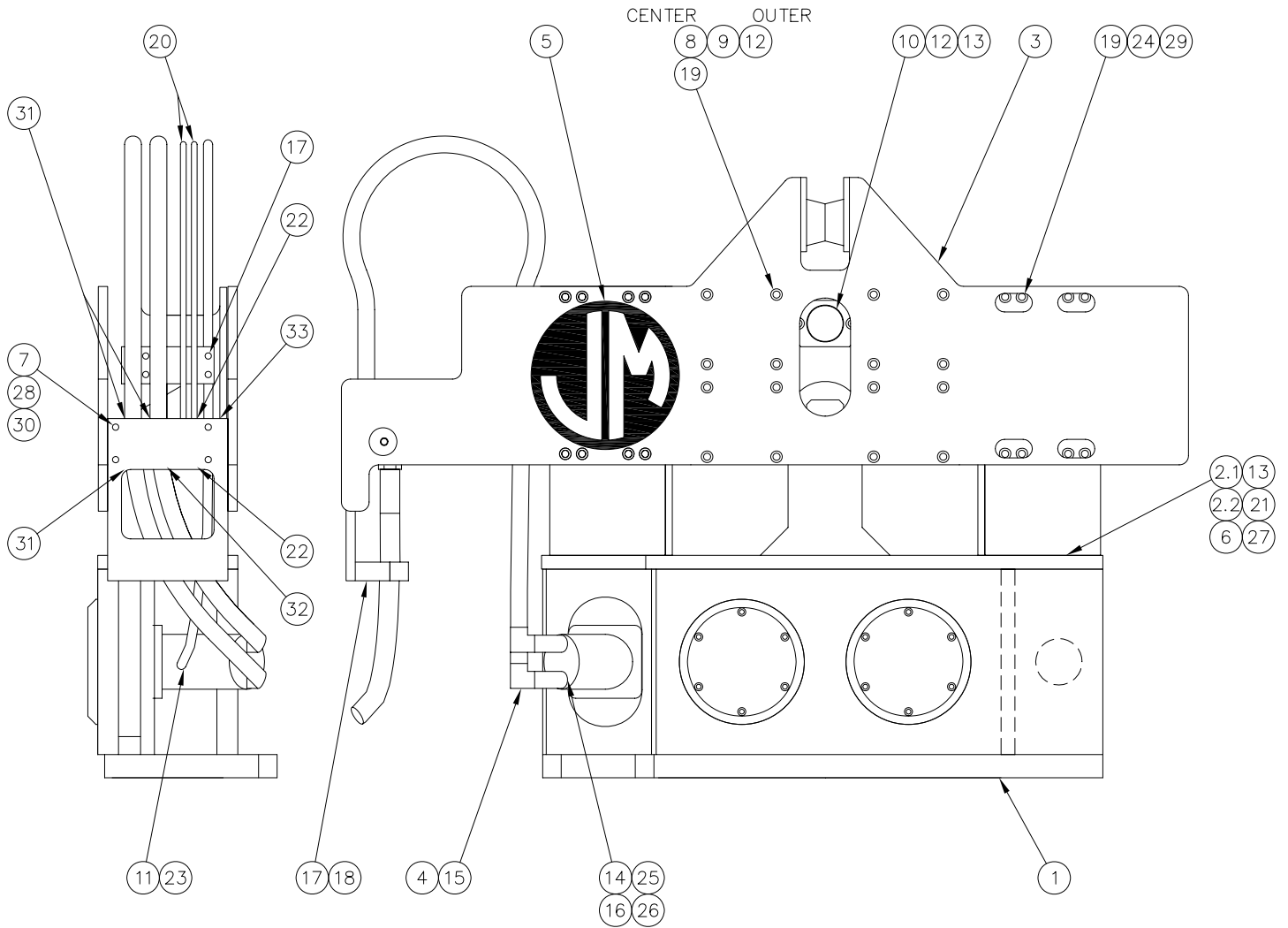


MODEL 22  
VIBRATORY  
DRIVER/EXTRACTOR

# PARTS LIST

VIBRATION SUPPRESSOR

175061





MODEL 22  
VIBRATORY  
DRIVER/EXTRACTOR

# PARTS LIST

VIBRATION SUPPRESSOR

175061

Item	Part Number	Qty.	Description
1	173036	1	Transmission Case Asm
2	100278	1	22 Transmission Adapter
3	100276	1	Suppressor Housing
4	130972	2	FITT2L-20H20M000-0000001
5	400278	2	J&M Logo
6	170811		O-Ring Cord
7	173035	1	Terminal Manifold Asm
8	100067	16	0.75-10 X 2.50 Lg SHCS
9	100796	8	Medium Elastomer
10	170820	1	Stop Pin
11	170813	1	FITT2V-12M10R000-0000001
12	170815	34	0.75-10 X 1.75 Lg SHCS
13	400727	34	0.75 Hi-Collar Lock Washer
14	100011	8	0.50-13 X 2.00 Lg SHCS
15	170814	2	HOSE125PT4J020J020L08400
16	100121	8	0.50 Lock Washer
17	140227	4	0.63-11 X 2.00 Lg SHCS
18	100272	1	Hose Clamp
19	170816	80	0.75 Stover Hex Nut
20	170817	2	HOSE038R02J006J006L04800
21	100063	1	FITT2P-16P000000-0000001
22	170818	8	FITT2S-06M06R000-0000001
23	170819	1	HOSE075R02J012J012L08400
24	170915	2	Large Elastomer
25	110986	4	#20 PH Split Flange Half
26	100037	2	2-222 O-Ring
27	400069	32	0.75-10 X 2.00 Lg SHCS
28	100007	4	0.63 Lock Washer
29	400069	32	0.75-10 X 2.00 Lg SHCS
30	140227	4	0.63-11 X 2.00 Lg SHCS
31	170457	3	FITT2S-20M20R000-0000001
32	170831	1	FITT2S-24M24R000-0000001
33	100609	2	FITT2S-12M12R000-0000001

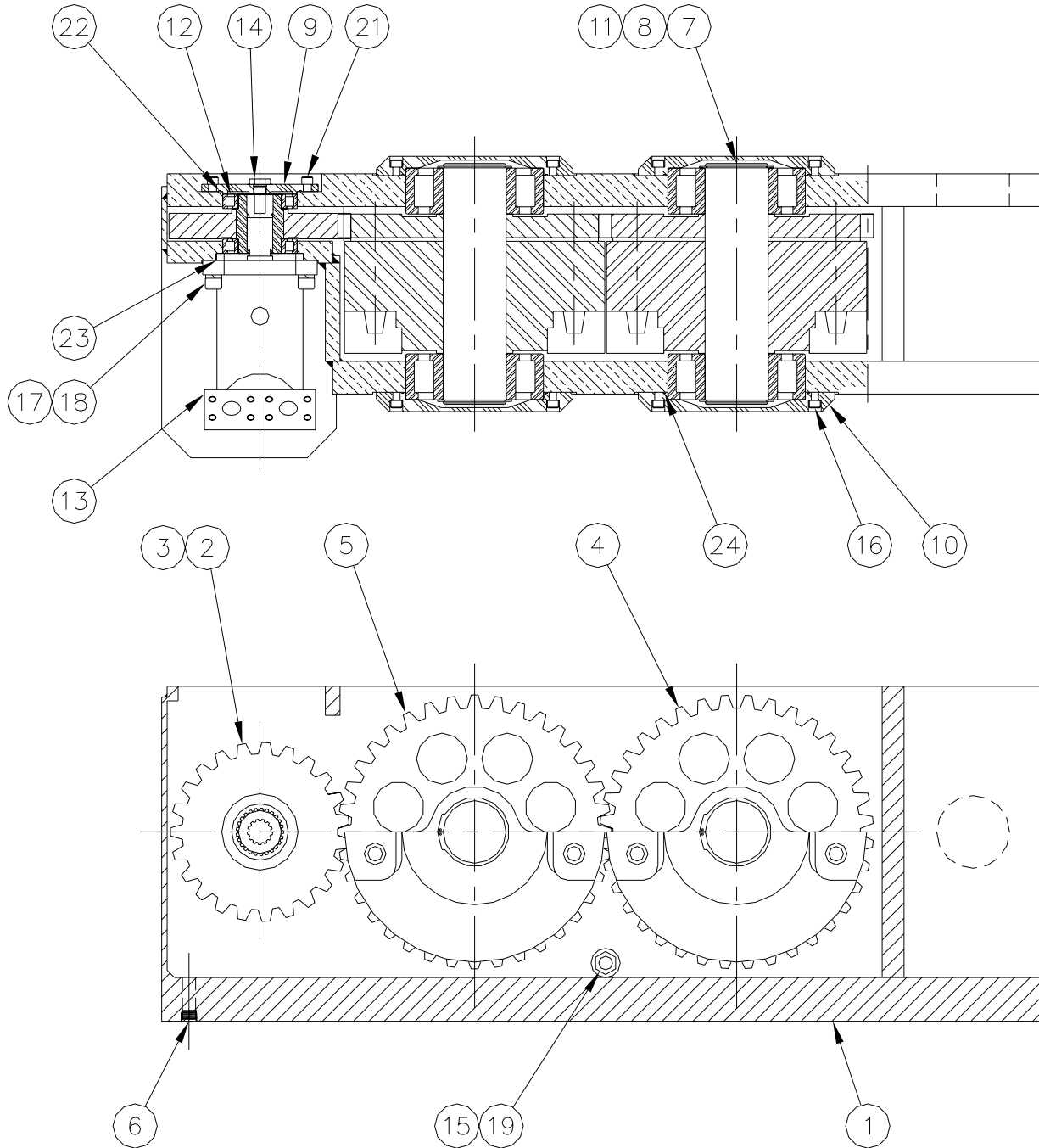


MODEL 22  
VIBRATORY  
DRIVER/EXTRACTOR

# PARTS LIST

VIBRATION CASE

173036





MODEL 22  
VIBRATORY  
DRIVER/EXTRACTOR

# PARTS LIST

VIBRATION CASE

173036

Item	Part Number	Qty.	Description
1	810889	1	22 Transmission Case Frame
2	110370	1	Pinion Shaft
3	110376	1	Pinion Gear
4	810673	1	44 Eccentric Gear Assembly
5	810675	1	44 Eccentric Gear Assembly
6	100187	1	FITT2P-12P000000-000S0M7
7	110316	4	Retaining Ring
8	110372	2	Eccentric Shaft
9	110366	1	Bearing Housing
10	110368	4	Bearing Cover
11	110314	4	Eccentric Bearing
12	110312	2	Motor Bearing
13	110328	1	44-50 Drive Motor (M)
14	810229	1	Breather
15	100185	1	Sight Gauge
16	100119	24	.5-13 X 1.25 Lg SHCS Locwel
17	400069	4	.75-10 X 2.00 Lg SHCS Locwel
18	400727	4	.75 Hi-Collar Lock Washer
19	110444	2	Transmission Oil / Gal.
21	100445	4	.5-13 X 1.00 Lg SHCS Locwel
22	170833	1	2-161 O-Ring
23	110195	1	2-163 O-Ring
24	400053	4	2-273 O-Ring

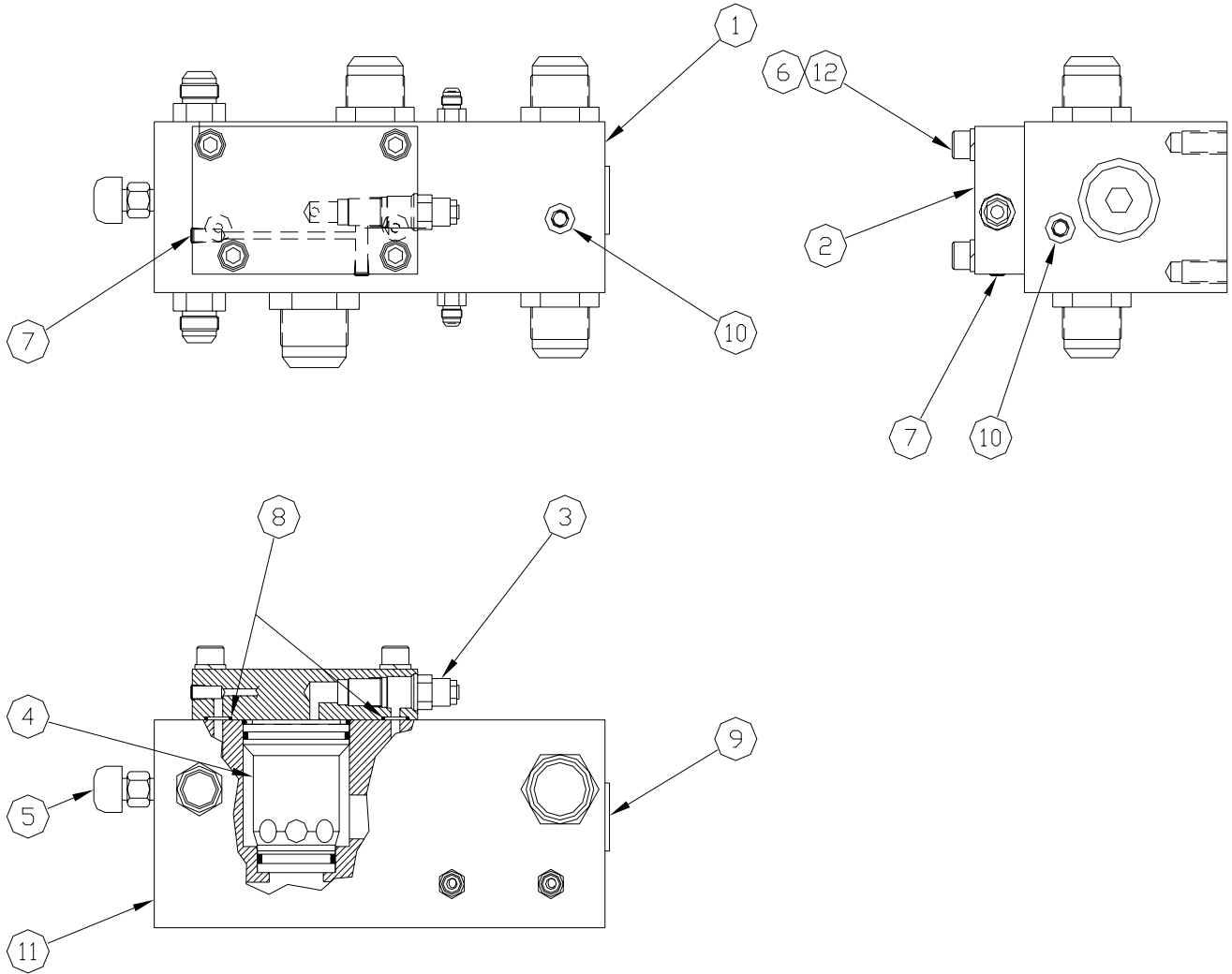


MODEL 22  
VIBRATORY  
DRIVER/EXTRACTOR

# PARTS LIST

TERMINAL MANIFOLD

173035







MODEL 22  
VIBRATORY  
DRIVER/EXTRACTOR

# PARTS LIST

TERMINAL MANIFOLD ASM

173035

<u>Item</u>	<u>Part Number</u>	<u>Qty.</u>	<u>Description</u>
1	100274	1	Terminal Manifold
2	110252	1	Manifold Cap
3	110242	1	Brake Valve Relief (RV5)
4	110622	1	Cartridge B (BV)
5	100032	1	Relief Valve (RV3)
6	100121	4	0.50 Lock Washer
7	100646	2	FITT2P-02P000000-0000001
8	140255	2	2-113 O-Ring
9	100308	1	Check Valve (CV3)
10	170822	2	FITT2P-02R000000-0000001
11	110248	1	FITT2P-12R000000-0000001
12	400043	4	0.50-13UNC X 1.25Lg SHCS Locwel

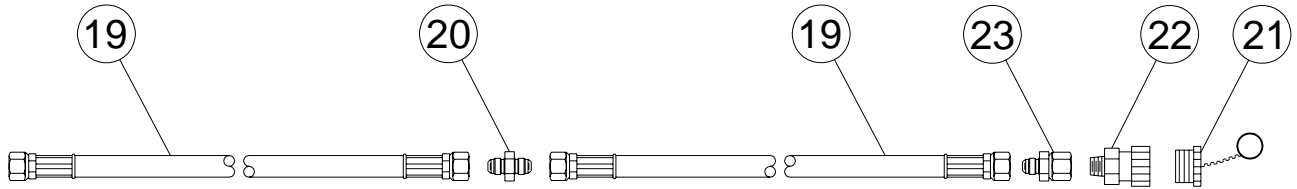


MODEL 22  
VIBRATORY  
DRIVER/EXTRACTOR

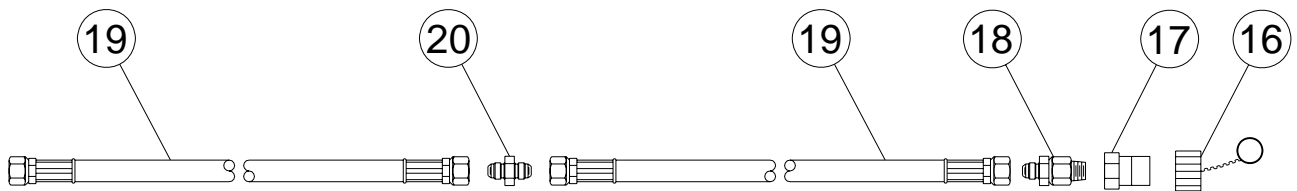
# PARTS LIST

## HOSE ASSEMBLIES - INTERCONNECTING

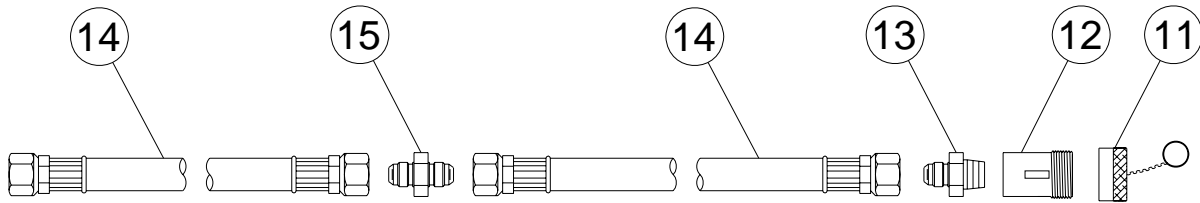
175063



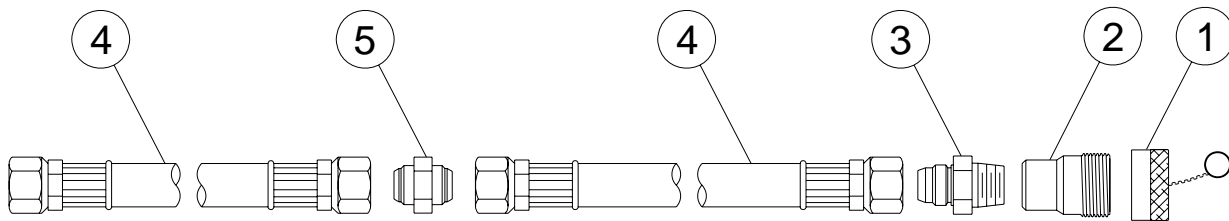
**CLAMP-CLOSE HOSE ASSEMBLY (3/8" I.D.)**



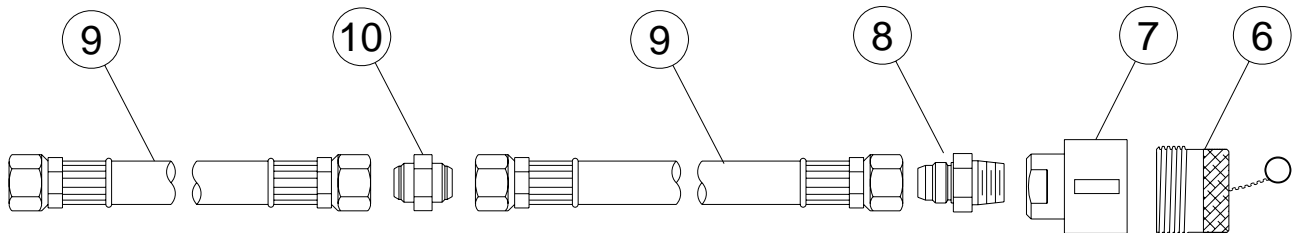
**CLAMP-OPEN HOSE ASSEMBLY (3/8" I.D.)**



**MOTOR CASE DRAIN HOSE ASSEMBLY (3/4" I.D.)**



**PRESSURE HOSE ASSEMBLY (1-1/2" I.D.)**



**RETURN HOSE ASSEMBLY (1-1/2" I.D.)**



MODEL 22  
VIBRATORY  
DRIVER/EXTRACTOR

# PARTS LIST

HOSE ASSEMBLIES - INTERCONNECTING

175063

Item	Part Number	Qty.	Description
1	110955	1	Dust Cap (1 - 1/2)
2	110690	1	Male Disconnect (1 - 1/2)
3	170823	1	FITT2S-20M24P000-000H001
4	170824	2	HOSE125PT4J020J020L60000
5	100344	1	FITT2S-20M20P000-000H001
6	110957	1	Dust Plug (1 - 1/2)
7	110692	1	Female Disconnect (1 - 1/2)
8	100565	1	FITT2S-24M24P000-000H001
9	170825	2	HOSE150R02J024J024L60000
10	110240	1	FITT2S-24M24M000-000H001
11	400253	1	Dust Cap (3/4)
12	400251	1	Male Disconnect (3/4)
13	400187	1	FITT2S-12M12P000-000H001
14	170826	2	HOSE075R02J012J012L61200
15	170827	1	FITT2S-12M12M000-000H001
16	100257	1	Dust Cap (3/8)
17	100245	1	Male Disconnect (3/8)
18	400203	1	FITT2S-06M06P000-000H001
19	170828	4	HOSE038R02J006J006L61200
20	120081	2	FITT2S-06M06M000-000H001
21	100737	1	Dust Plug (3/8)
22	100777	1	Female Disconnect (3/8)
23	170829	1	FITT2S-06M06Q000-000H001
24	130243	10	Rubber Tie Down

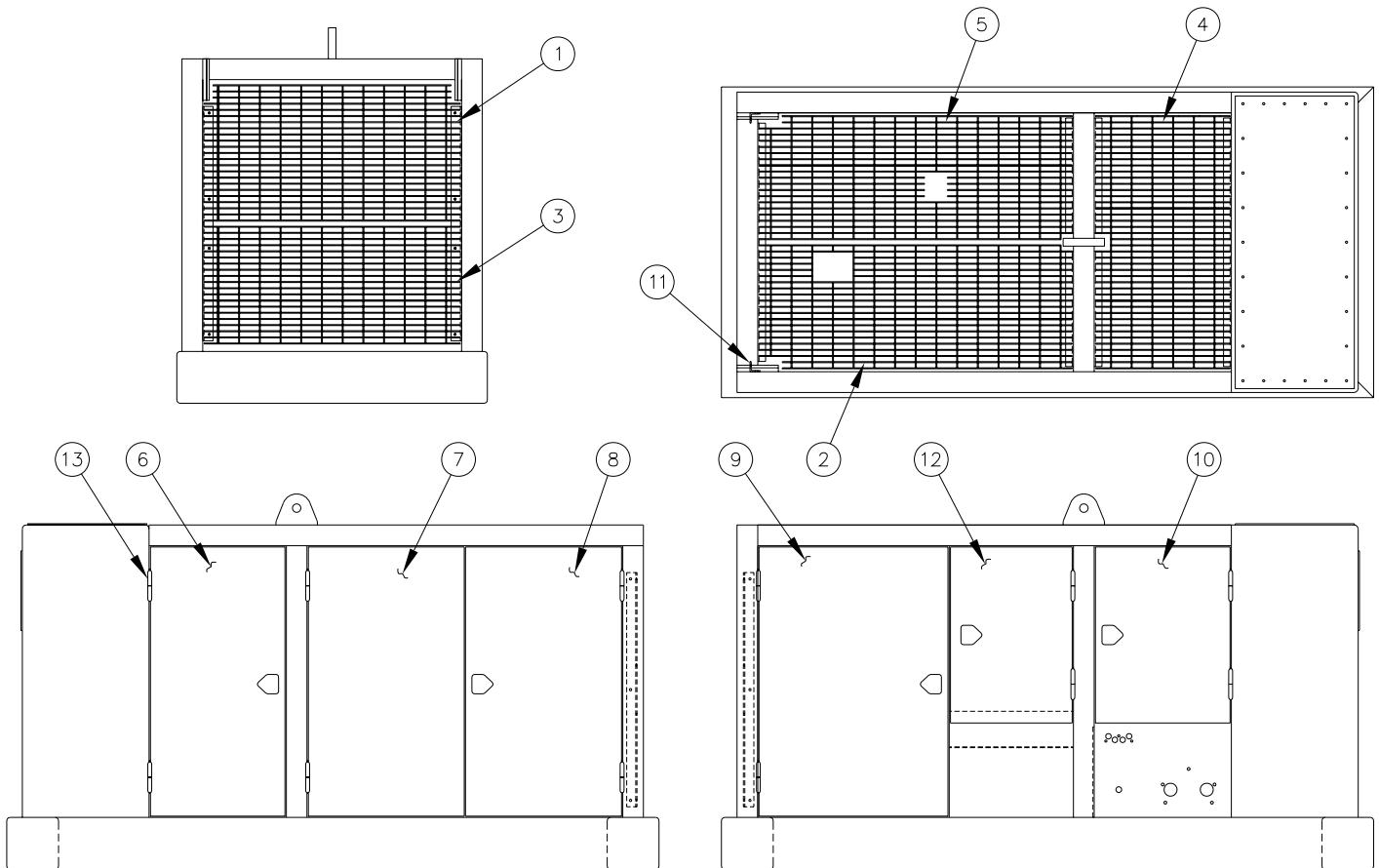


MODEL 22  
VIBRATORY  
DRIVER/EXTRACTOR

# PARTS LIST

POWER UNIT - ENCLOSURE

800379





MODEL 22  
VIBRATORY  
DRIVER/EXTRACTOR

# PARTS LIST

POWER UNIT ENCLOSURE

800379

<u>Item</u>	<u>Part Number</u>	<u>Qty.</u>	<u>Description</u>
1	100254	1	Intake Grill Front Top
2	100256	1	Exhaust Grill Top Left
3	100258	1	Intake Grill Front Bottom
4	100260	1	Exhaust Grill Top Rear
5	100262	1	Exhaust Grill Top Right
6	600102	1	Cover Door
7	600104	1	Cover Door
8	600106	1	Cover Door
9	600108	1	Cover Door
10	600110	1	Cover Door
11	100252	2	Intake Grill Mount
12	100266	1	Cover Door
13	100834	12	Bullet Hinge

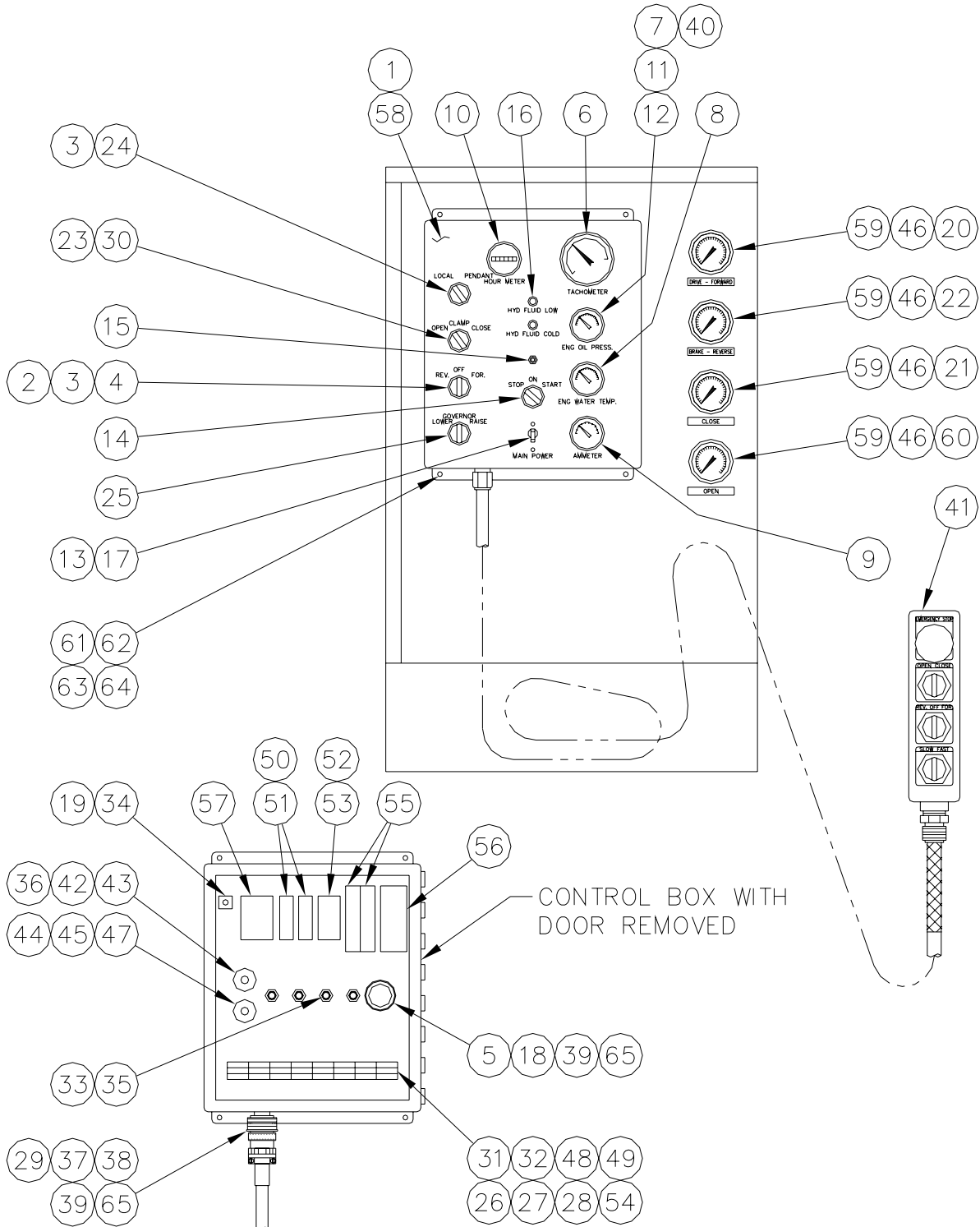


MODEL 22  
VIBRATORY  
DRIVER/EXTRACTOR

# PARTS LIST

CONTROL BOX ASM

810913





MODEL 22  
VIBRATORY  
DRIVER/EXTRACTOR

# PARTS LIST

CONTROL BOX ASM

810913

Item	Part Number	Qty.	Description
1	170835	1	Enclosure
2	170841	1	Drive For/Rev Switch
3	170901	3	Contact Block 1 N.O. 1 N.C.
4	170903	1	Contact Block 1 N.O.
5	170845	1	Engine Receptacle
6	170905	1	Tachometer
7	100329	1	Oil Pressure Gage
8	130251	1	Water Temp Gage
9	110371	1	Voltmeter
10	100343	1	Hour Meter
11	170939	1	HOSE025BSSJ004J004L04200
12	170941	1	FITT2L-04M02Q000-0000002
13	400141	1	Circuit Breaker, 10 Amp
14	110615	1	Engine Control Switch
15	130257	1	Reset Button
16	170875	2	Red L.E.D.
17	100331	2	#6-32 X 0.25 Lg BHCS
18	170847	1	Engine Receptacle Gasket
19	170853	1	Toggle Switch
20	110680	1	HOSE025AQ1J004J004L40000
21	170909	1	HOSE025AQ1J004J004L03900
22	170911	1	HOSE025AQ1J004J004L07900
23	170837	1	Clamp Open/ Close Switch
24	170843	1	Local/ Pendant Switch
25	100566	1	Governor Raise/Lower Switch
26	400161	2	#10 Lock Washer
27	400163	2	#10-32 Hex Nut
28	110649	2	#10-32 X 0.375 Lg PHMS
29	170861	1	Pendant Receptacle Cover
30	130305	1	Light Bulb
31	170877	30	Terminal Bock
32	170879	2	Terminal Block
33	170849	4	S/O. Cord Receptacle
34	170855	1	Switch Bracket
35	110843	4	0.50 Lock Nut
36	170863	1	0.75 - 0.38 - 0.50 Connector
37	170857	1	Pendant Receptacle
38	170859	1	Pendant Receptacle Gasket
39	110754	8	#6-32 X 0.375 Lg RHMS
40	300611	1	FITT2S-02P04E000-000H002



MODEL 22  
VIBRATORY  
DRIVER/EXTRACTOR

# PARTS LIST





MODEL 22  
VIBRATORY  
DRIVER/EXTRACTOR

# PARTS LIST

CONTROL BOX

810913

Item	Part Number	Qty.	Description
41	800591	1	Pendant Assembly
42	170865	1	0.75 Lock Nut
43	170867	1	0.75 Rubber Gasket
44	170869	1	0.75 Connector
45	170865	1	0.75 Lock Nut
46	100321	4	FITT2L-04M04Q000-0000001
47	170867	1	0.75 Rubber Gasket
48	170881	1	Terminal End Section
49	170883	2	Terminal End Clamp
50	170887	2	Relay, 1 Pole
51	170885	2	Relay Base, 1 Pole
52	170889	1	Lighted Relay, 2 Pole
53	170891	1	Relay Base, 2 Pole
54	100413	8	Diode, 6 Amp
55	170871	2	Circuit Breaker, 16 Amp
56	170873	1	Tach Transducer
57	170893	1	Speed Switch
58	170851	1	Faceplate Label
59	110600	4	0-6000 PSI Gage
60	170913	1	HOSE025AQ1J004J004L04200
61	100576	4	0.25-20 X 0.625 Lg SHCS
62	100559	4	0.25 Lock Washer
63	100598	4	0.25-20 Hex Nut
64	100597	4	0.25 Flat Washer
65	110696	8	#6 Lock Washer

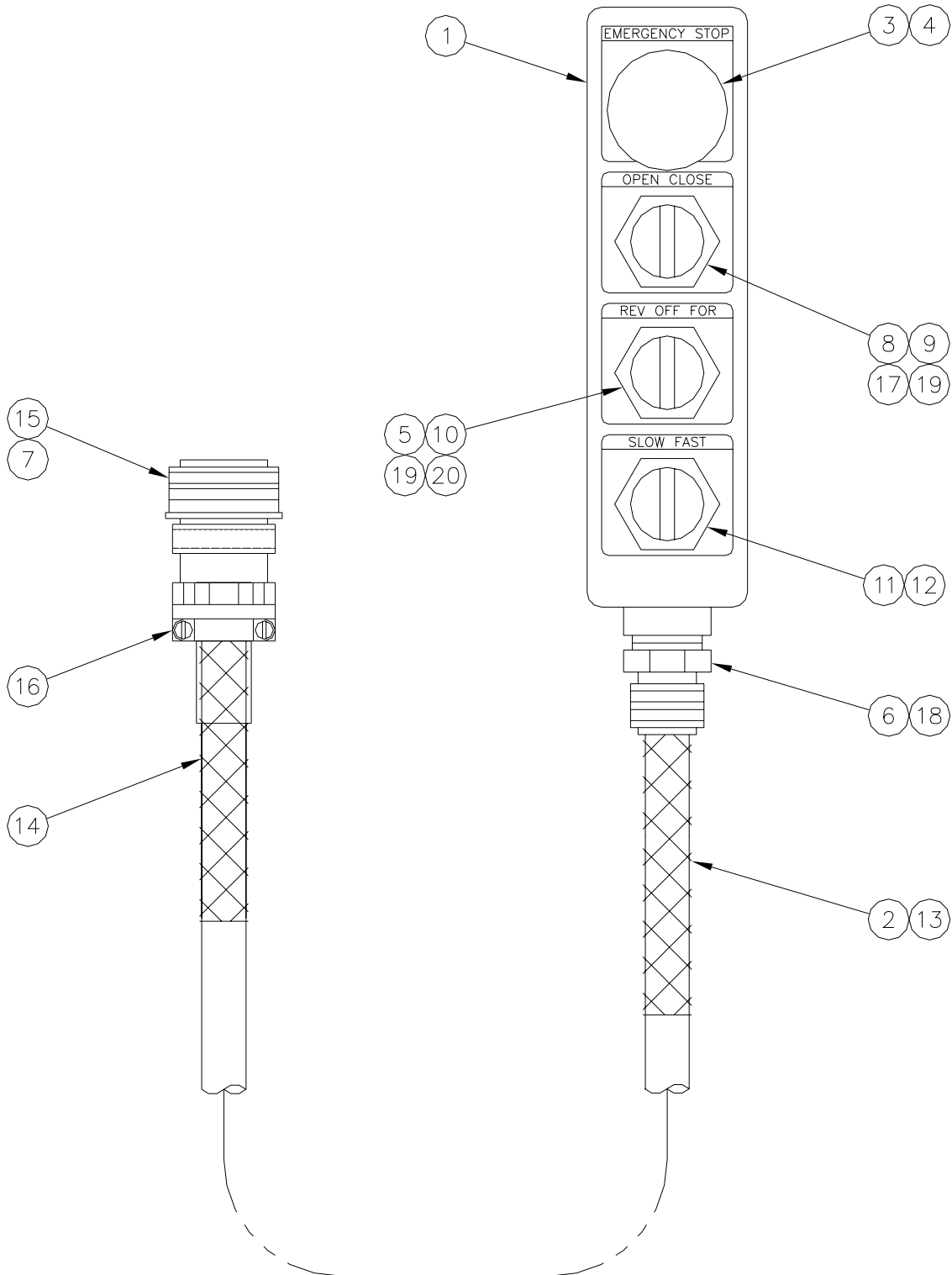


MODEL 22  
VIBRATORY  
DRIVER/EXTRACTOR

# PARTS LIST

PENDANT ASSEMBLY

800591





MODEL 22  
VIBRATORY  
DRIVER/EXTRACTOR

# PARTS LIST

PENDANT ASSEMBLY

800591

<u>Item</u>	<u>Part Number</u>	<u>Qty.</u>	<u>Description</u>
1	130153	1	Pendant Box
2	110603	1	Cord Grip Pendant End
3	130507	1	Emergency Stop Button
4	130509	1	Emergency Stop Label
5	170841	1	Drive For/Rev Switch
6	170865	1	0.75 Lock Nut
7	170899	1	Pendant Receptacle Cover
8	170837	1	Clamp Open/ Close Switch
9	100401	1	Clamp Open/ Close Label
10	100864	1	Rev/Off/Fwd Label
11	100566	1	Governor Raise/ Lower Switch
12	100562	1	Lower/Governor/Raise Label
13	100560	50	Pendant Cable
14	170839	1	Cord Grip Plug End
15	170895	1	Pendant Receptacle
16	170897	1	Receptacle Clamp
17	130305	1	Light Bulb
18	170867	1	0.75 Rubber Gasket
19	100413	3	Diode, 6 Amp
20	170901	1	Contact Block 1 N.O. 1 N.C.

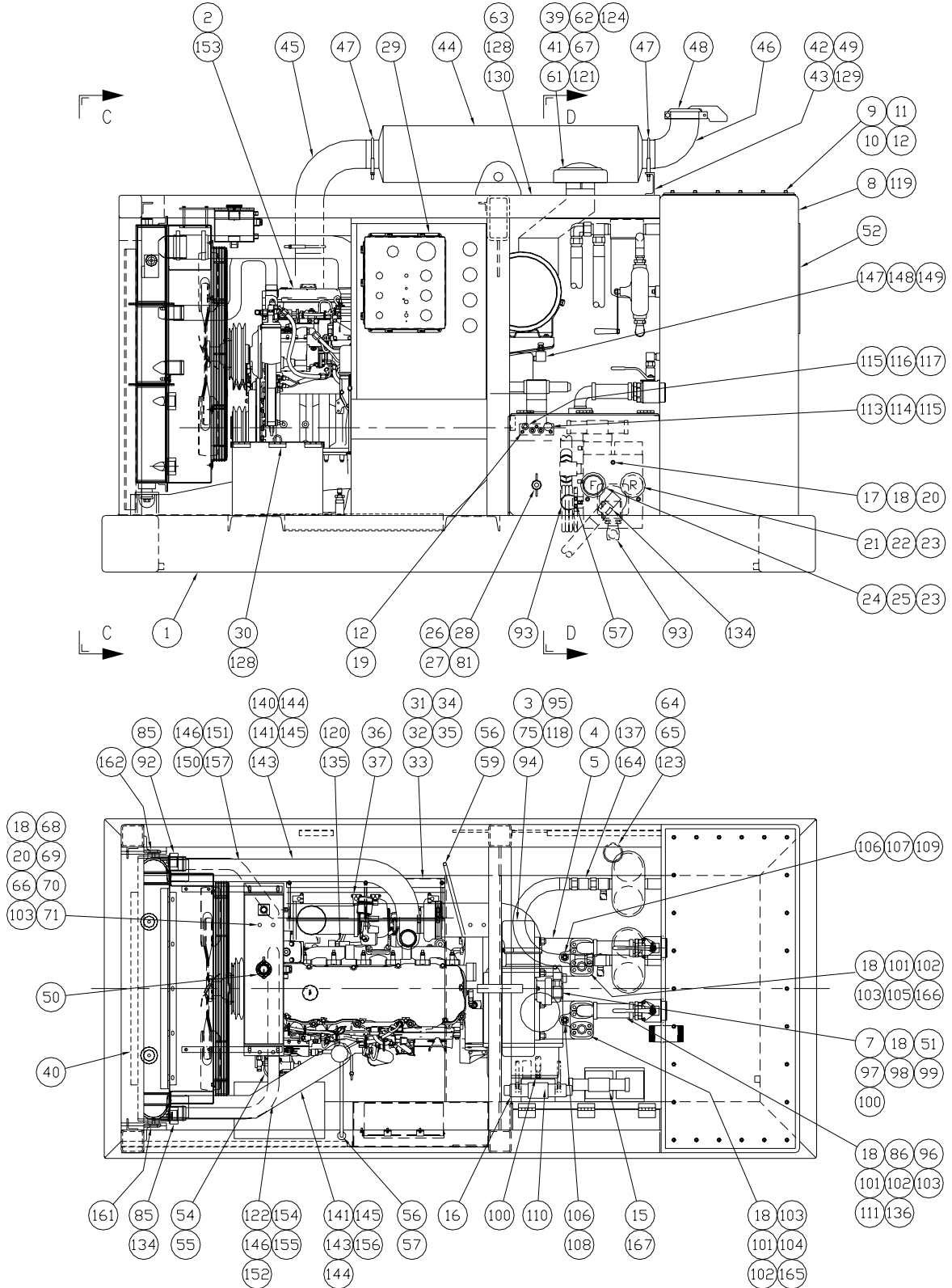


MODEL 22  
VIBRATORY  
DRIVER/EXTRACTOR

# PARTS LIST

POWER UNIT - INTERNAL

800593



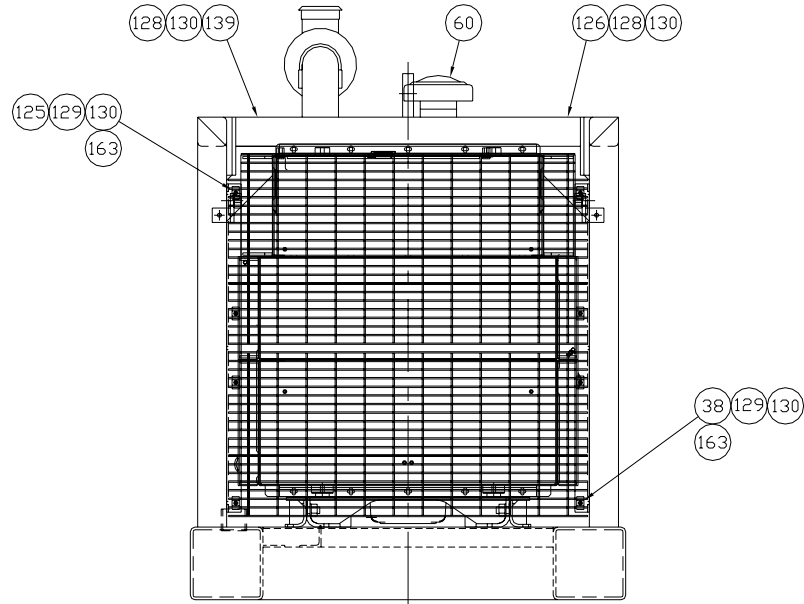


MODEL 22  
VIBRATORY  
DRIVER/EXTRACTOR

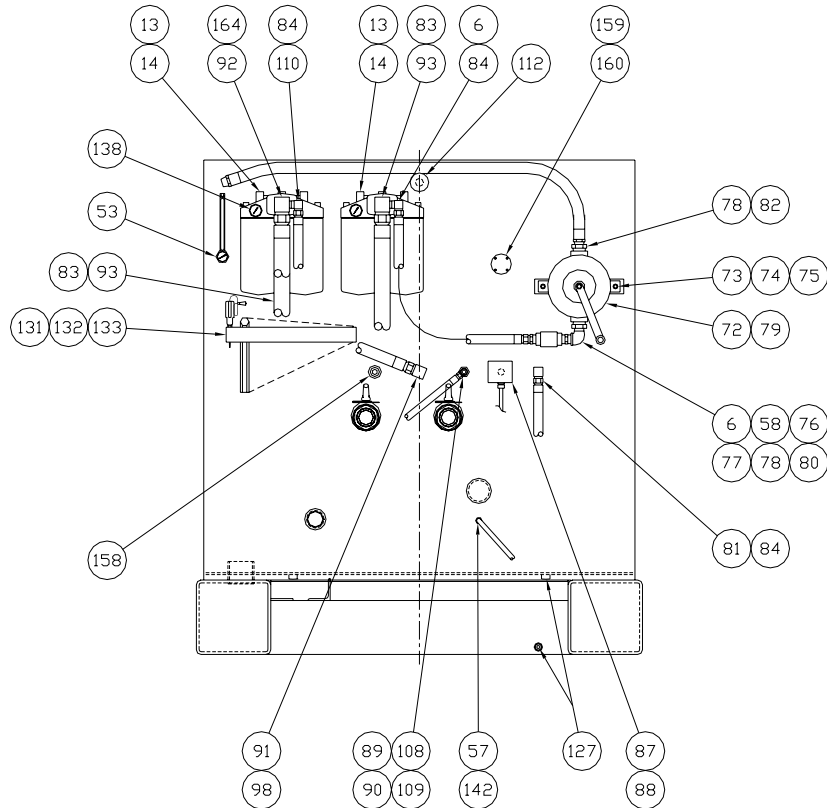
# PARTS LIST

POWER UNIT - INTERNAL

800593



VIEW C



VIEW D



MODEL 22  
VIBRATORY  
DRIVER/EXTRACTOR

# PARTS LIST

POWER UNIT - INTERNAL

800593

Item	Part Number	Qty.	Description
1	810893	1	Fuel Base Asm.
2	170907	1	Engine C-9 (E)
3	100512	1	Multi-Pump Adapter
4	100406	2	Main Pump (P1)
5	100782	8	0.75-10 Flange Nut
6	170923	1	HOSE075R01J012J012L03400
7	100684	1	Clamp Pump (P2)
8	100270	1	Reservoir
9	400129	1	Reservoir Cover
10	400225	1	Reservoir Gasket
11	100648	26	.375-16 X.875 Lg SHCS
12	400149	31	.375 Lock Washer
13	100520	2	Return Filter Asm. (F2)
14	100518	4	Return Filter Element
15	810447	1	Drive Manifold Asm.
16	810915	1	Clamp Manifold Assembly
17	100119	3	0.50-13 X 1.25 Lg SHCS
18	100121	27	0.50 Lock Washer Medium
19	100051	3	.375-16 X 1.0 Lg Shcs Locwel
20	100483	11	0.50 Flat Washer
21	110690	1	1.5 Male Disconnect (QD1)
22	110955	1	1.5 Dust Cap
23	110392	2	FITT2S-24R24P000-000H001
24	110692	1	1.5 Female Disconnect (QD2)
25	110957	1	1.5 Dust Plug
26	400095	1	.75 Female Disconnect (QD5)
27	400121	1	.75 Dust Plug
28	100387	1	FITT2S-12P12B000-000H001
29	810913	1	350 Control Box Asm.
30	100558	1	Tool Box
31	400890	2	Battery
32	600890	1	Battery Holddown
33	400231	3	Hold Down Stud
34	100831	3	.312 Wing Nut
35	100293	19	.312 Flat Washer
36	100537	2	Battery Cable-24"
37	110653	1	Battery Cable-6
38	100258	1	Intake Grill Front Bottom
39	170949	1	Intake Elbow 45° Reduce
40	170925	1	Triple Core Cooler



MODEL 22  
VIBRATORY  
DRIVER/EXTRACTOR

# PARTS LIST

POWER UNIT - INTERNAL

800593

Item	Part Number	Qty.	Description
41	170955	1	Hose Camp 5"
42	100287	21	.312 Lock Washer
43	100289	10	.312-18 Hex Nut
44	400898	1	Muffler
45	400896	1	Exhaust Elbow (5"-Lg.)
46	400894	1	Exhaust Outlet Elbow
47	140369	3	5 In. U-Clamp
48	140411	1	5.0 Rain Cap
49	100244	1	Muffler Support
50	100726	12	Antifreeze/Gal
51	170919	2	0.50-13 UNC X 1.25 HHCS
52	400278	1	J&M Logo Plate
53	130179	1	Sight Gauge And Thermometer
54	170931	1	Fuel Water Seperator
55	100715	1	FITT2S-16P06Q000-0000001
56	400227	2	FITT2L-06M06P000-0000001
57	400926	2	HOSE038R01J006J006L02500
58	110377	1	FITT2L-16P16Q000-0000306
59	170937	1	HOSE038R01J006J006L04600
60	170943	1	Air Intake Hood
61	170957	21	Intake Tubing / Inch
62	170953	3	Hose Clamp 6"
63	100260	1	Exhaust Grill Top Rear
64	100417	1	FITT2C-48Q000000-0000306
65	100419	1	Petcock
66	100485	8	0.50-13 Hex Nut
67	170951	1	Intake Reducer
68	100071	2	0.625 X 2.50 Lg SHCS
69	130141	2	0.625 Flat Washer
70	100007	2	0.625 Lock Washer
71	100273	2	0.625-11 Hex Nut
72	100447	1	Hand Pump (MP)
73	100439	2	.437-X1.75 Lg SHCS
74	400153	2	.437 Flat Washer
75	100443	14	.437 Lock Washer
76	100449	1	FITT2S-16P16P000-000H001
77	100451	1	Check Valve (CV4)
78	110089	2	FITT2S-20P16Q000-000H001
79	130091	1	Pump Mounting Bracket
80	300119	1	FITT2S-16P12M000-000H001



MODEL 22  
VIBRATORY  
DRIVER/EXTRACTOR

# PARTS LIST

POWER UNIT - INTERNAL

800593

Item	Part Number	Qty.	Description
81	170921	1	HOSE075R01J012J012L05500
82	400215	1	HOSE100R01P016P016L08400
83	810573	2	Special Tee
84	100489	3	FITT2L-12M12P000-0000001
85	100588	2	FITT2L-24M24P000-0000001
86	170975	2	2" Hose Clamp T-Bolt
87	400115	1	Temperature Switch (TS1)
88	110237	1	Str S/O Cord Adapter
89	400409	1	FITT2S-12P08Q000-000H001
90	300401	1	FITT2T-08M08P08M-0000001
91	120055	1	FITT2L-16M16P000-0000001
92	170959	1	HOSE150R01J024J024L11100
93	170961	2	HOSE150R02J024J024L07550
94	100930	12	.437-14 UNC X 1.00 Lg HHCS
95	140803	8	.5-13 X 1.0 Lg HHCS
96	170973	14	2" Suction Hose / Inch
97	100938	1	FITT2L-16M12R000-000H001
98	100862	1	HOSE100R01J016J016L03300
99	300099	1	FITT2S-10R08M000-000H001
100	170917	1	HOSE050R09J008J008L04200
101	110986	8	#20 PH Split Flange Half
102	100037	4	2-222 O-Ring 70 Duro
103	400739	16	.5-13 UNC X 2.00 Lg HHCS
104	170967	1	HOSE125PT6H020J020L04100
105	170969	1	HOSE125PT6H920J020L06500
106	110325	2	FITT2S-12R08M000-000H001
107	100488	1	FITT2V-08M08J000-000H001
108	170963	1	HOSE050R01J008J008L01600
109	170965	1	HOSE050R01J008J008L03300
110	170971	1	HOSE075R01J012J012L09800
111	170977	2	2" SAE X Hose Barb
112	100455	1	Breather
113	100777	1	.375 Female Disconnect (QD3)
114	100737	1	.375 Dust Plug
115	110794	2	FITT2S-06P06P000-000H001
116	100245	1	.375 Male Disconnect (QD4)
117	100257	1	.375 Dust Cap
118	100735	2	Transmission Oil/Gal
119	140415	280	Hydraulic Fluid/Gal
120	170983	1	Circuit Breaker





MODEL 22  
VIBRATORY  
DRIVER/EXTRACTOR

# PARTS LIST

POWER UNIT - INTERNAL

800593

Item	Part Number	Qty.	Description
121	170947	1	Intake Elbow 45°
122	170984	3.5	2" Coolant Hose / Inch
123	300197	1	FITT2L-04P04Q000-0000306
124	170945	1	Intake Extension
125	100238	1	Intake Grill Front Top
126	100256	1	Top Left Exhaust Grill
127	100423	4	FITT2P-08P000000-000S007
128	110830	32	.25 X 2.00 Hex Tex Screw
129	100396	10	.312-18UNC X 1.50 Lg. SHCS
130	100398	20	Saddle Clip
131	810045	1	Hex Key Group
132	100651	1	24 V Test Light
133	100600	1	Hex Key Rack
134	170985	1	HOSE150R02J024J024L09750
135	170981	1	Aux Starter Solenoid
136	100458	2	90 Deg. Flanged Adapter
137	170987	1	HOSE150R02J024J024L03100
138	100436	2	Gage (0-60 Psi.) (GA5)
139	100262	1	Top Right Exhaust Grill
140	170989	1	Right Charge Air Tube
141	170991	4	3" Clamp
142	130399	1	FITT2S-06M04P000-000H001
143	170993	2	3" Hump Hose
144	170995	4	4" Clamp
145	170997	2	4" Hump Hose
146	170999	3	2.50" Clamp
147	100189	1	FITT2S-08P04Q000-000H001
148	300067	1	FITT2L-08P08Q00-000H001
149	170979	1	Breather
150	170998	7	2.50 Coolant Hose / Inch
151	170996	1	Right Coolant Tube
152	170994	3	2" Clamp
153	400247	28	Engine Oil/Quart
154	170992	1	2" to 2.5" Connector
155	170990	1	Left Coolant Tube
156	170988	1	Left Charge Air Tube
157	170986	3.5	3" Coolant Hose / Inch
158	100063	1	FITT2P-16P000000-000S007
159	100314	1	Float Switch
160	110564	4	0.25-20 X 2.25 Lg RHMS



MODEL 22  
VIBRATORY  
DRIVER/EXTRACTOR

# PARTS LIST



MODEL 22  
VIBRATORY  
DRIVER/EXTRACTOR

# PARTS LIST

POWER UNIT - INTERNAL

800593

<u>Item</u>	<u>Part Number</u>	<u>Qty.</u>	<u>Description</u>
161	100238	1	Cooler Bracket Left
162	100240	1	Cooler Bracket Right
163	100252	2	Intake Grill Mount
164	170982	1	FITT2T-24J24M24M-0000001
165	170978	1	FITT2L-16F20M000-0000001
166	170980	1	FITT2S-16F20M000-0000001
167	170976	2	FITT2P-16F000000-0000001

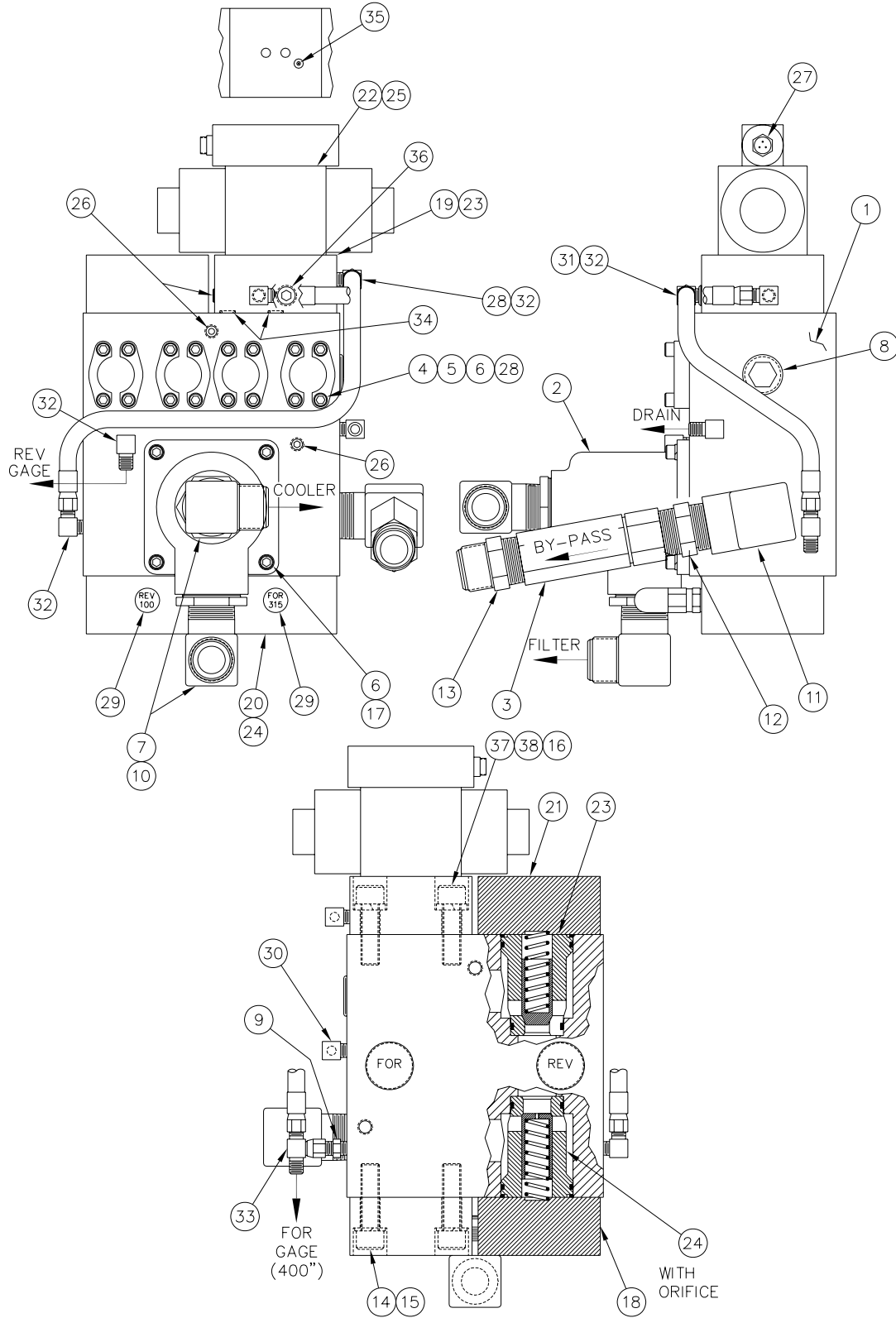


MODEL 22  
VIBRATORY  
DRIVER/EXTRACTOR

# PARTS LIST

## CONTROL MANIFOLD ASSEMBLY

810447





MODEL 22  
VIBRATORY  
DRIVER/EXTRACTOR

# PARTS LIST

CONTROL MANIFOLD ASSEMBLY

810447

Item	Part Number	Qty.	Description
1	110516	1	Manifold Block
2	110628	1	Cooler Valve (V3)
3	130339	1	Check Valve (CV3)
4	100089	8	#16 Split Flange Half
5	100091	4	#219-O-Ring
6	100143	20	.375-16UNC x 1.25 Lg SHCS
7	100588	2	FITT2L-24M24P000-0000001
8	110055	1	FITT2P-20P000000-000S007
9	110203	1	FITT2S-04M04P000-000H001
10	100547	2	FITT2S-32P24Q000-000H001
11	100446	1	FITT2L-24P24Q000-000H001
12	110037	1	FITT2S-24P24P000-000H001
13	100565	1	FITT2S-24P24M000-000H001
14	400039	12	.75-10UNC x 2.75 Lg SHCS
15	100069	12	.75 Lock Washer
16	110616	1	.25 X .625 Lg Roll Pin
17	400149	4	.375 Lock Washer
18	110544	1	Cartridge Cover (CC4)
19	110262	1	Cartridge Cover (CC1)
20	110546	1	Cartridge Cover (CC2)
21	110606	1	Cartridge Cover (CC3)
22	110260	4	.25-20UNC x 2.75 Lg, SHCS
23	110624	2	Cartridge A (CA1-2)
24	110622	2	Cartridge B (CB1-2)
25	110147	1	Control Valve (V2)
26	100845	3	FITT2P-04P000000-000S007
27	110237	1	S/O Cord Adapter
28	100719	1	HOSE025R02J004J004L03000
29	100632	2	Relief Cartridge (315)
30	140581	1	FITT2L-04P06M000-0000001
31	100149	1	HOSE025R02J004J004L01900
32	100145	4	FITT2L-04M04P000-0000001
33	100556	1	FITT2T-04M04M04J-0000001
34	110602	2	#111-O-Ring
35	140387	1	Orifice
36	100423	1	FITT2P-08P000000-000S007
37	100067	4	.75-10 X 2.50 Lg SHCS Lockwel
38	400727	4	.75 Hi-Collar Lock Washer

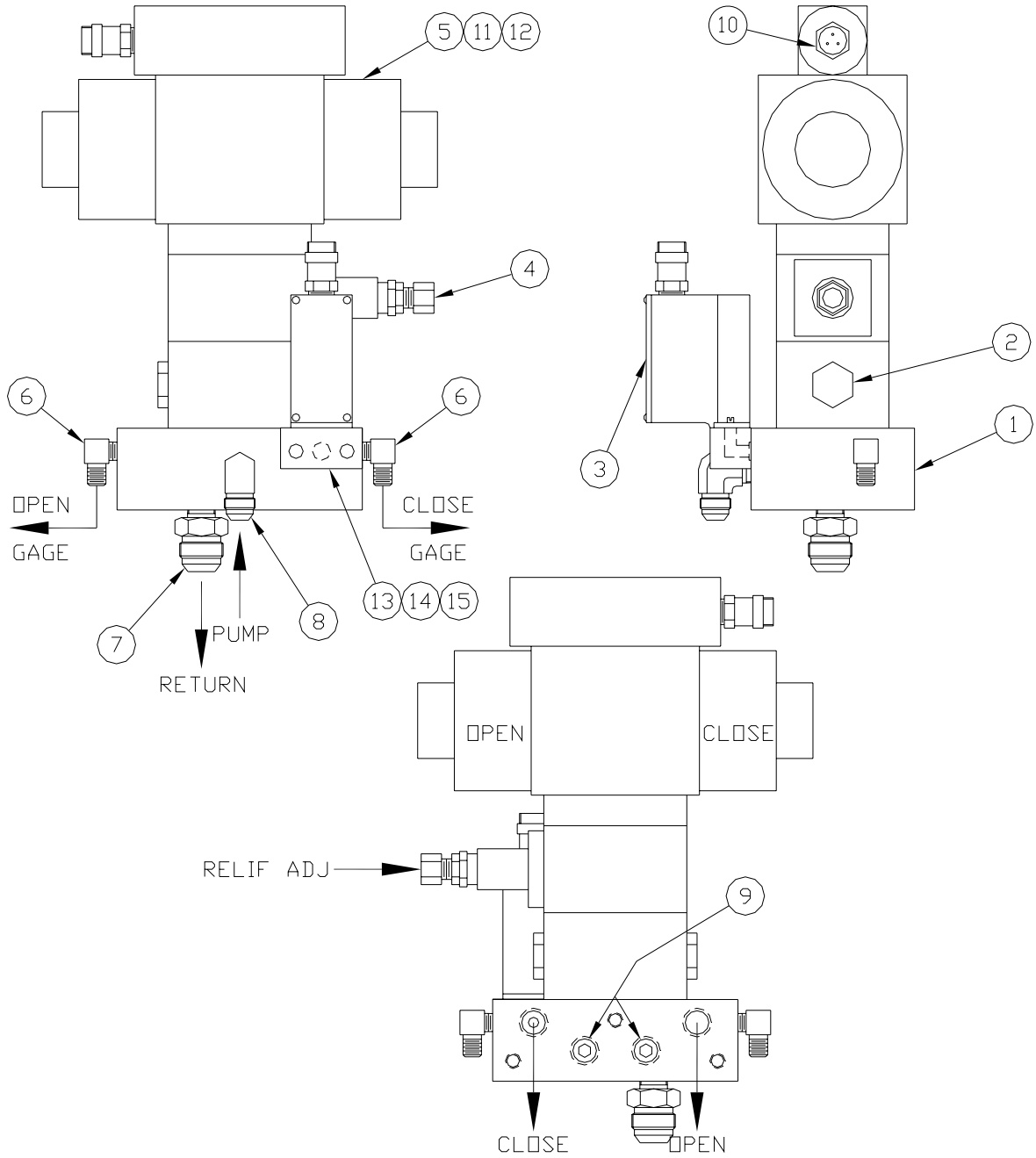


MODEL 22  
VIBRATORY  
DRIVER/EXTRACTOR

# PARTS LIST

CLAMP MANIFOLD

810915





MODEL 22  
VIBRATORY  
DRIVER/EXTRACTOR

# PARTS LIST

CLAMP MANIFOLD

810915

<u>Item</u>	<u>Part Number</u>	<u>Qty.</u>	<u>Description</u>
1	110642	1	Clamp Manifold Block
2	110149	1	Check Valve (CV5)
3	810425	1	Pressure Switch Assembly (PS-1)
4	100898	1	Sandwich Relief (RV2)
5	110147	1	Control Valve (V1A & B V2A & B)
6	140539	2	FITT2L-04M02P000-0000001
7	170974	1	FITT2S-12M06P000-000H001
8	300341	1	FITT2L-08M06P000-000H001
9	400213	2	FITT2P-06P000000-000S007
10	110237	1	S/O Cord Adapter
11	170968	4	0.25-20 X 6.00 Lg SHCS
12	170970	4	0.25 Bolt Spacer 0.25 Thick
13	110134	1	Turning Manifold
14	110167	2	10-32 X 1.00 SHCS
15	170972	1	2-011 O-Ring

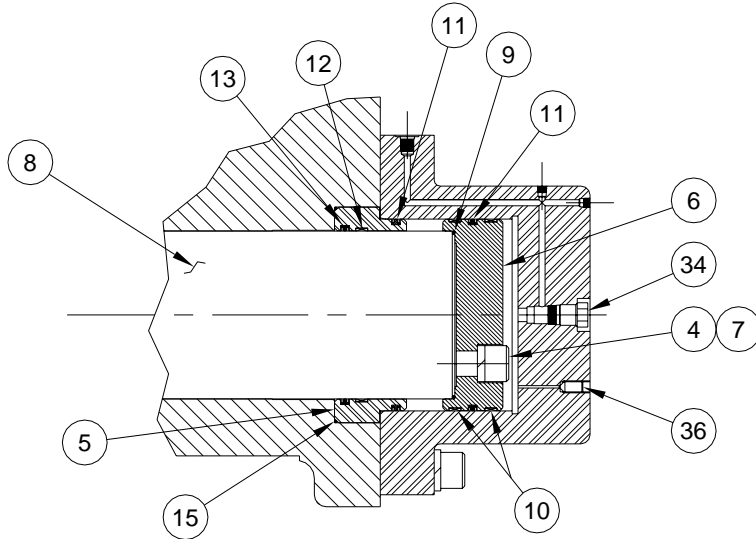


MODEL 22  
VIBRATORY  
DRIVER/EXTRACTOR

# PARTS LIST

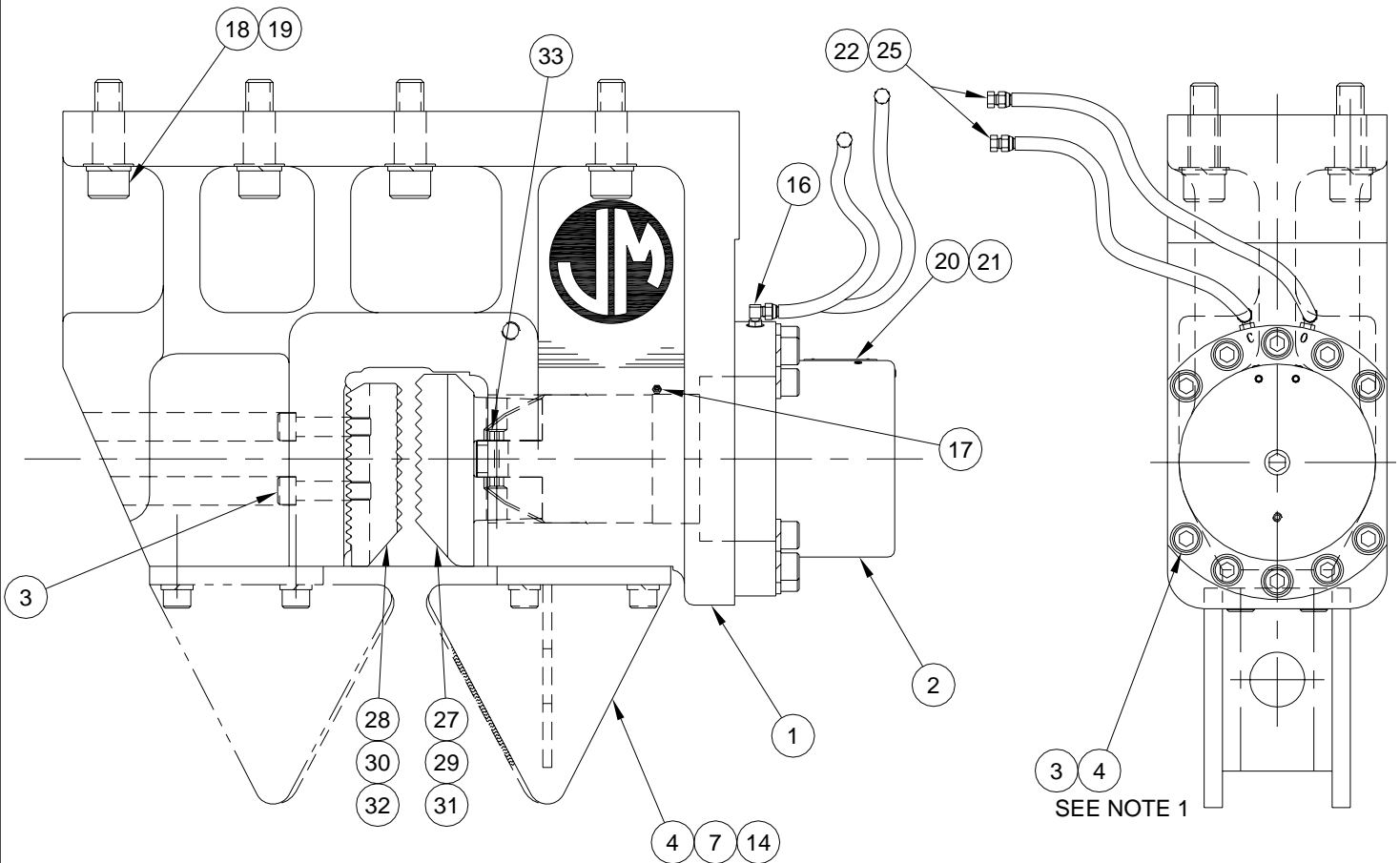
126 CLAMP ASM (OPTIONAL)

800327



NOTE:

1. TORQUE 1.00 SOCKET HEAD  
CAP SCREWS TO 1009 FT/LB.



CYLINDER DETAIL





MODEL 22  
VIBRATORY  
DRIVER/EXTRACTOR

# PARTS LIST

126 CLAMP ASM (OPTIONAL)

800327

Item	Part Number	Qty.	Description
1	810493	1	126 Clamp Body Asm.
2	810491	1	Cylinder
3	100212	12	1-8UNC x 4.0 Lg SHCS
4	100209	19	1" Lock Washer
5	120567	1	Rod End Cap
6	120569	1	Piston
7	100213	7	1-8UNC x 2.50 Lg SHCS
8	120575	1	Cylinder Rod
9	120347	1	#261-O- Ring (Note)
10	120285	2	Piston Bearing (Note)
11	120283	2	Piston Seal (Note)
12	120555	1	Rod Bearing (Note)
13	120553	1	Rod Seal (Note)
14	100983	1	Pile Guide
15	120401	1	2-269 O-Ring 90 DURO (Note)
16	130057	1	FITT2L-06M06R000-000H001
17	100229	1	Grease Fitting
18	100193	8	1.5-6UNC x 5.0 Lg SHCS
19	100195	8	1.5 Lock Washer
20	120365	1	Clamp Label
21	130381	4	Rivet
22	100111	2	HOSE038R02J006J006L0875S
25	100230	2	FITT2P-06M000000-000T001
26	810515	1	126 Seal Kit
27	810495	1	Universal Movable Jaw
28	110515	1	Universal Fixed Jaw
29	810497	1	H-Beam Movable Jaw
30	110541	1	H-Beam Fixed Jaw
31	810499	1	DS-Movable Jaw
32	110419	1	DS-Fixed Jaw
33	130449	1	Spiral Roll Pin
34	120629	1	Holding Valve (CV7)
36	120761	1	Pointed Set Screw

Note: Included in 126 Seal Kit



MODEL 22  
VIBRATORY  
DRIVER/EXTRACTOR

# PARTS LIST

## VIII. ORDERING PARTS

### E. MISCELLANEOUS ACCESSORIES

#### 1. Tools

Part Number	Qty.	Description
100651	1	24-Volt Test Light
100653	1	Set of Allen Wrenches - Includes All Wrenches Shown Below:
100655		(1) 1/16" Allen Wrench - Long Arm
100691		(1) 5/64" Allen Wrench - Long Arm
100659		(1) 3/32" Allen Wrench - Long Arm
100661		(1) 7/64" Allen Wrench - Long Arm
100663		(1) 1/ 8" Allen Wrench - Long Arm
100665		(1) 9/64" Allen Wrench - Long Arm
100667		(1) 5/32" Allen Wrench - Long Arm
100669		(1) 3/16" Allen Wrench - Long Arm
100671		(1) 7/32" Allen Wrench - Long Arm
100673		(1) 1/ 4" Allen Wrench - Long Arm
100657		(1) 5/16" Allen Wrench - Long Arm
100675		(1) 3/ 8" Allen Wrench - Long Arm
100677		(1) 7/16" Allen Wrench - Long Arm
100679		(1) 1/ 2" Allen Wrench - Long Arm
100681		(1) 9/16" Allen Wrench - Long Arm
100683		(1) 5/ 8" Allen Wrench - Long Arm
100685		(1) 3/ 4" Allen Wrench - Long Arm
100687		(1) 7/ 8" Allen Wrench - Short Arm
100689		(1) 1" Allen Wrench - Short Arm

#### 2. Bulk

Part Number	Qty.	Description
810013	5 GAL	Hydraulic Oil
810011	5 GAL	Vibration Case Lubricant
100726	1 GAL	Coolant/Anti-Freeze
100298	1 GAL	APE J&M Yellow Paint
100299	1 GAL	Primer



**MODEL 22  
VIBRATORY  
DRIVER/EXTRACTOR**

# PARTS LIST

VIII. ORDERING PARTS

E. MISCELLANEOUS ACCESSORIES (CONTINUED)

3. 22 Hose Group Kit - Internal

Item	P/N	Qty.	Description	Page Ref.
15	170814	2	HOSE125PT4J020J020L08400	VIII-7
20	170817	2	HOSE038R02J006J006L04800	VIII-7
23	170819	1	HOSE075R02J012J012L08400	VIII-7

4. 350 Hose Group Kit - Internal

Item	P/N	Qty.	Description	Page Ref.
6	170923	1	HOSE075R01J012J012L03400	VIII-24
59	170937	1	HOSE038R01J006J006L04600	VIII-25
81	170921	1	HOSE075R01J012J012L05500	VIII-26
82	400215	1	HOSE100R01P016P016L08400	VIII-26
92	170959	1	HOSE150R01J024J024L11100	VIII-26
93	170961	2	HOSE150R02J024J024L07550	VIII-26
98	100862	1	HOSE100R01J016J016L03300	VIII-26
100	170917	1	HOSE050R09J008J008L04200	VIII-26
104	170967	1	HOSE125PT6H020J020L04100	VIII-26
105	170969	1	HOSE125PT6H920J020L06500	VIII-26
108	170963	1	HOSE050R01J008J008L01600	VIII-26
109	170965	1	HOSE050R01J008J008L03300	VIII-26
110	170971	1	HOSE075R01J012J012L09800	VIII-26
134	170985	1	HOSE150R02J024J024L09750	VIII-27
137	170987	1	HOSE150R02J024J024L03100	VIII-27

5. Cylinder Seal Kit

MODEL 126 CLAMP CYLINDER                      800327                      Refer to page VIII-35

Item	P/N	Qty.	Description
9	120347	1	#261-O-Ring
10	120285	2	Piston Bearing
11	120283	2	Piston Seal
12	120555	1	Rod Bearing
13	120553	1	Rod Seal
34	120401	1	#269-O-Ring



MODEL 22  
VIBRATORY  
DRIVER/EXTRACTOR

# PARTS LIST



**MODEL 22  
VIBRATORY  
DRIVER/EXTRACTOR**

# PARTS LIST

VIII. ORDERING PARTS

F. RECOMMENDED SPARE PARTS

VIBRATION SUPPRESSOR 175061 Refer to page VIII-7

<u>Item</u>	<u>P/N</u>	<u>Qty.</u>	<u>Description</u>
9	100796	1	Elastomer
24	170915	1	Large Elastomer

VIBRATION CASE 173036 Refer to page VIII-9

<u>Item</u>	<u>P/N</u>	<u>Qty.</u>	<u>Description</u>
15	100185	1	Sight Gauge

TERMINAL MANIFOLD 173035 Refer to page VIII-11

<u>Item</u>	<u>P/N</u>	<u>Qty.</u>	<u>Description</u>
5	100032	1	Relief Valve

HOSE ASSEMBLIES-INTERCONNECTING 175063 Refer to page VIII-12

<u>Item</u>	<u>P/N</u>	<u>Qty</u>	<u>Description</u>
4	170824	2	HOSE125PT4J020J020L60000
9	170825	2	HOSE150R02J024J024L60000
14	170826	2	HOSE075R02J012J012L61200
19	170828	4	HOSE038R02J006J006L61200

POWER UNIT - INTERNAL

<u>Item</u>	<u>P/N</u>	<u>Qty</u>	<u>Description</u>
--	170927	1	Engine Oil Filter
--	170929	1	Fuel Filter Element
--	170933	1	Air Filter Element Inner
--	170935	1	Air Filter Element Outer
14	100518	4	Return Hydraulic Oil Filter
54	170931	1	Fuel Water Separator Element
93	170961	1	HOSE150R02J024J024L07550
100	170917	1	HOSE050R09J008J008L04200
104	170967	1	HOSE125PT6H020J020L04100
105	170969	1	HOSE125PT6H920J020L06500
134	170985	1	HOSE150R02J024J024L09750
137	170987	1	HOSE150R02J024J024L03100



MODEL 22  
VIBRATORY  
DRIVER/EXTRACTOR

# PARTS LIST



**MODEL 22  
VIBRATORY  
DRIVER/EXTRACTOR**

# PARTS LIST

**G. RECOMMENDED TIGHTENING TORQUE**

Nominal Screw Size	Nominal Socket Size	Tightening Torque Ft-Lbs. (Kg-M)	Nominal Screw Size	Nominal Socket Size	Tightening Torque Ft-Lbs. (Kg-M)
#10-24	5/32	6 Ft-Lbs. (.83 Kg-M)	#10-32	5/32	6 Ft-Lbs. (.83 Kg-M)
1/4-20	3/16	13 Ft-Lbs. (1.8 Kg-M)	1/4-28	3/16	15 Ft-Lbs. (2.1 Kg-M)
5/16-18	1/4	27 Ft-Lbs. (3.7 Kg-M)	5/16-24	1/4	30 Ft-Lbs. (4.2 Kg-M)
3/8-16	5/16	48 Ft-Lbs. (6.6 Kg-M)	3/8-24	5/16	55 Ft-Lbs. (7.6 Kg-M)
7/16-14	3/8	77 Ft-Lbs. (10.6 Kg-M)	7/16-20	3/8	86 Ft-Lbs. (11.9 Kg-M)
1/2-13	3/8	119 Ft-Lbs. (16.4 Kg-M)	1/2-20	3/8	133 Ft-Lbs. (18.4 Kg-M)
5/8-11	1/2	234 Ft-Lbs. (32.3 Kg-M)	5/8-18	1/2	267 Ft-Lbs. (36.9 Kg-M)
3/4-10	5/8	417 Ft-Lbs. (57.6 Kg-M)	3/4-16	5/8	467 Ft-Lbs. (64.5 Kg-M)
7/8-9	3/4	676 Ft-Lbs. (93.4 Kg-M)	7/8-14	3/4	742 Ft-Lbs. (102.5 Kg-M)
1-8	3/4	1,009 Ft-Lbs. (139.4 Kg-M)	1-12	3/4	1,126 Ft-Lbs. (155.6 Kg-M)
1-1/4-7	7/8	1,600 Ft-Lbs. (221.1 Kg-M)	1-1/4-12	7/8	1,800 Ft-Lbs. (248.8 Kg-M)
1-1/2-6	1	2,800 Ft-Lbs. (387 Kg-M)	1-1/2-12	1	3,000 Ft-Lbs. (414.6 Kg-M)

NOTE: These values are for Socket head cap screws only. Button heads, Flat heads and Set screws have different values. Check the Allen Hand Book for correct torque specifications.



MODEL 22  
VIBRATORY  
DRIVER/EXTRACTOR

# PARTS LIST