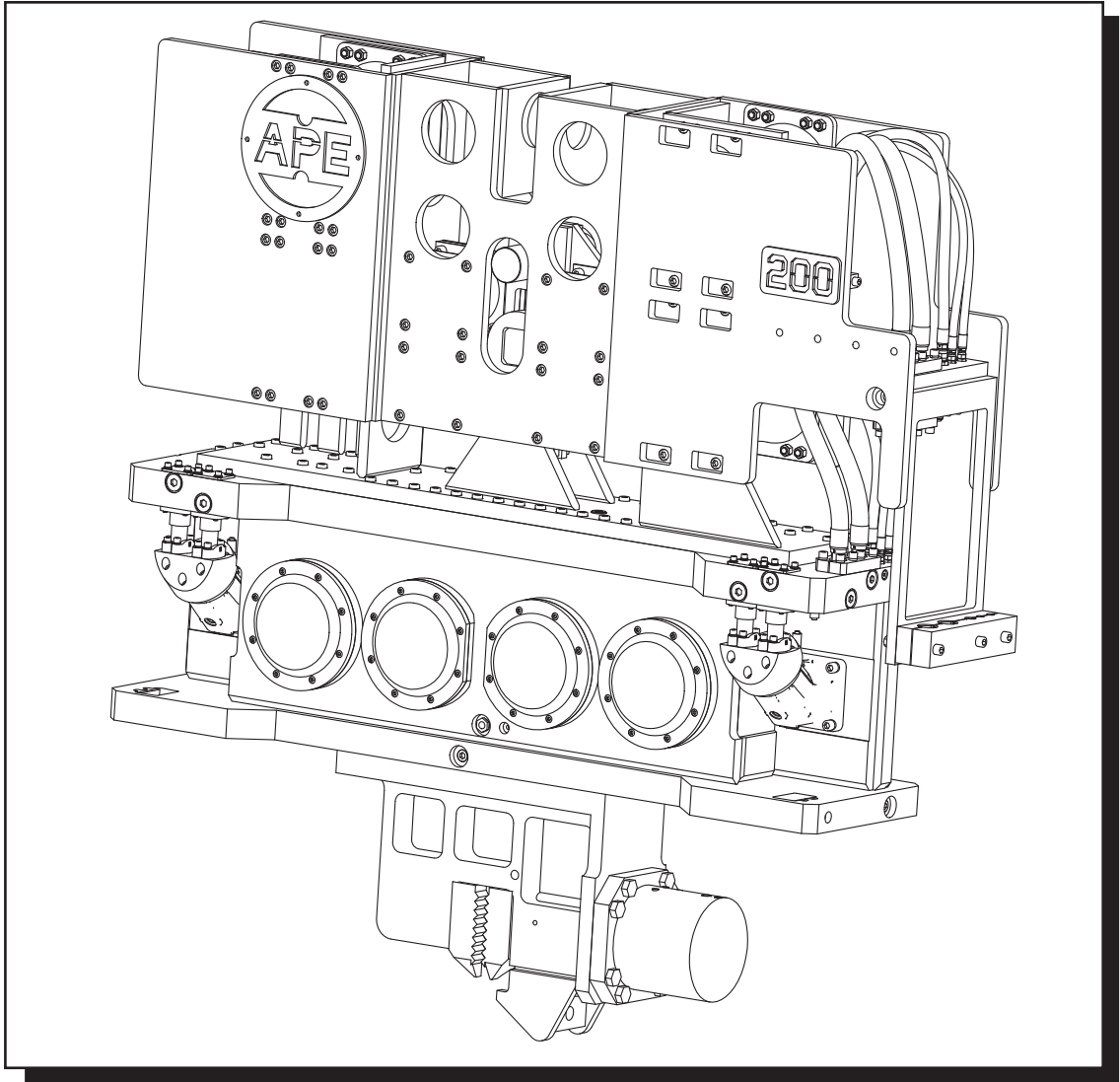




# **OPERATION / MAINTENANCE MANUAL**

**MODEL 200 VIBRATORY DRIVER WITH MODEL 595 POWER UNIT**

**7032 SOUTH 196th - KENT, WA. 98032 - (253) 872-0141 / FAX (253) 872-8710**



**SERIAL NUMBER:**

**MODEL 200 VIBRO  
WITH MODEL 595 POWER UNIT**



# **OPERATION / MAINTENANCE MANUAL**

**MODEL 200 VIBRATORY DRIVER WITH MODEL 595 POWER UNIT**

**7032 SOUTH 196th - KENT, WA. 98032 - (253) 872-0141 / FAX (253) 872-8710**





# **OPERATION / MAINTENANCE MANUAL**

MODEL 200 VIBRATORY DRIVER WITH MODEL 595 POWER UNIT

7032 SOUTH 196th - KENT, WA. 98032 - (253) 872-0141 / FAX (253) 872-8710

## **Preface**

### **General**

This manual covers the **Model 200 Vibratory Driver/Extractors and the Model 595 Power Unit**. Most information contained in this manual is identical for all the models covered. The data provided in this manual gives the necessary information to operate and maintain APE equipment. The listed procedures are to be performed by qualified personnel who have an understanding of the equipment and who follow all safety precautions.

### **Guide to Using the Manual**

1. Refer to the Table of Contents for the page location of applicable sections.
2. All weights and measurements in this manual are in both English and Metric units.
3. The manual will be revised as necessary to reflect current information.

### **Abbreviations**

The following are abbreviations used within this manual.

|             |                          |             |                           |
|-------------|--------------------------|-------------|---------------------------|
| <b>lbs.</b> | = Pounds                 | <b>HCLW</b> | = High Collar Lock Washer |
| <b>psi.</b> | = Pounds per Square Inch | <b>P/N</b>  | = Part Number             |
| <b>hp.</b>  | = Horse Power            | <b>SHCS</b> | = Socket Head Cap Screw   |
| <b>gpm.</b> | = Gallons Per Minute     |             |                           |
| <b>rpm.</b> | = Revolutions Per Minute |             |                           |
| <b>eng.</b> | = Engine                 |             |                           |
| <b>cyl.</b> | = Cylinder               |             |                           |
| <b>mm.</b>  | = Millimeter             |             |                           |
| <b>mtg.</b> | = Mounting               |             |                           |
| <b>S/N</b>  | = Serial Number          |             |                           |
| <b>sol.</b> | = Solenoid               |             |                           |

### **Serial Number Locations**

1. **VIBRATOR:** Above and in between the eccentric covers on both sides of the machine.
2. **POWER UNIT:** On both sides in front of reservoir near the top.



# **OPERATION / MAINTENANCE MANUAL**

**MODEL 200 VIBRATORY DRIVER WITH MODEL 595 POWER UNIT**

**7032 SOUTH 196th - KENT, WA. 98032 - (253) 872-0141 / FAX (253) 872-8710**

## **Table of Contents**

|   | Page       |
|---|------------|
| <b>Revision Record</b> .....                                    | <b>i</b>   |
| <b>Preface</b> .....  | <b>ii</b>  |
| <b>Table of Contents</b> .....                                  | <b>iii</b> |
| <b>Table of Contents</b> .....                                  | <b>iv</b>  |
| <b>Safety Precautions</b> .....                                 | <b>v</b>   |
| <b>Warranty</b> .....   | <b>vii</b> |
| <b>I. GENERAL INFORMATION</b>                                   |            |
| I-1. Machine Features. - Model 200 Vibratory Hammer .....       | 1-2        |
| I-2. Machine Specifications .....                               | 1-3        |
| A. Model 200 Vibro .....  | 1-3        |
| B. Model 595 Power Unit .....                                   | 1-3        |
| I-3. General Description of Model 200 Vibro .....               | 1-4        |
| I-3A. The Suppressor Housing .....                              | 1-5        |
| I-3B. The Vibrator Gearbox.....                                 | 1-6        |
| I-3C. The Clamp Attachment.....                                 | 1-7        |
| I-3D. Optional Attachments .....                                | 1-8        |
| I-4. General Description of Model 595 Power Unit.....           | 1-9        |
| <b>II. MAJOR COMPONENT DEFINITION</b>                           |            |
| II-1. Model 200 Final Assembly Identification .....             | 2-2        |
| II-2. Suppressor Identification.....                            | 2-6        |
| II-3. Gearbox Identification .....                              | 2-8        |
| II-4. Check Valve Identification .....                          | 2-11       |
| II-5. Clamp Identification .....                                | 2-12       |
| II-6. Hose Bundle. ....   | 2-14       |
| II-7. Model 595 Power Unit Skid Identification .....            | 2-16       |
| II-8. 1-1/2" Quick Disconnect Coupling Identification. ....     | 2-17       |
| II-9. 200 Caisson Clamp Identification. ....                    | 2-18       |
| II-10. 200 Caisson Clamp Cylinder Identification. ....          | 2-19       |
| II-11. Control Panel. ....                                      | 2-20       |
| II-12. Control Pendant.....                                     | 2-24       |
| <b>III. LOADING AND UNLOADING</b>                               |            |
| III-1. Model 200 Vibratory Driver.....                          | 3-1        |
| III-2. Model 595 Power Unit. ....                               | 3-1        |
| III-3. What to do if damaged during shipment.....               | 3-1        |
| <b>IV. PREPARATION AND OPERATION</b>                            |            |
| IV-1. Rigging of Vibratory Driver.....                          | 4-1        |
| IV-2. Plumbing the Vibro Hoses to the Power Unit.....           | 4-2        |
| IV-3. Filling Vibrator Pressure Hoses. ....                     | 4-3        |
| IV-4. Bleeding the Clamp Attachment Hydraulic Hoses. ....       | 4-3        |
| IV-5. Precautions and Rules for Operation.....                  | 4-4        |
| IV-6. Relief Valve Settings Prior to Operation - Model 595..... | 4-5        |
| IV-7. Shut-down Procedures. ....                                | 4-7        |



# OPERATION / MAINTENANCE MANUAL

MODEL 200 VIBRATORY DRIVER WITH MODEL 595 POWER UNIT

7032 SOUTH 196th - KENT, WA. 98032 - (253) 872-0141 / FAX (253) 872-8710

## Table of Contents

|  | Page |
|--|------|
| V. MAINTENANCE   |      |
| V-1. Daily Maintenance Required Prior to Operation. ....               | 5-1  |
| V-2. Checklist After Power Unit Engine Has Started .....               | 5-1  |
| V-3. Maintenance and Adjustments. (75 Hours) .....                     | 5-2  |
| V-4. Maintenance and Adjustments. (Eccentric Bearings) .....           | 5-2  |
| V-5. Maintenance and Adjustments in Severe Conditions .....            | 5-2  |
| V-6A. Lubrication - Vibratory Gearbox. ....                            | 5-2  |
| V-6B. Lubrication - Clamp Attachment. ....                             | 5-2  |
| V-7A. Power Unit - Filters, Fluid Types and Capacities. ....           | 5-3  |
| V7-B. Power Unit - Hydraulic Fluid .....                               | 5-4  |
| V7-C. Power Unit - Two Part Hydraulic Fluid Tank. ....                 | 5-4  |
| V7-D. Power Unit - Draining and Filling Hydraulic Fluid Tank .....     | 5-4  |
| V-7E. Power Unit - Changing Hydraulic Return Filter Element. ....      | 5-5  |
| V-7F. Power Unit - Steps to Remove the Hydraulic Filter Elements ..... | 5-5  |
| V-8. Power Unit - Pump Drive .....                                     | 5-7  |
| VI. VIBRO TROUBLE-SHOOTING   |      |
| VI.-1 Model 200 Vibro. ....  | 6-1  |
| VII. MODEL 595 POWER UNIT  |      |
| VII-1. Hydraulic Circuitry. ....                                       | 7-2  |
| VII-1A. Clamp Circuitry. ....  | 7-2  |
| VII-1B. Drive Circuit. ....  | 7-2  |
| VII-1C. Hydraulic Schematic. ....                                      | 7-3  |
| VII-1D. Hydraulic Components - Clamp Drill Manifold Assembly .....     | 7-4  |
| VII-1D. Hydraulic Components - Clamp Drill Manifold 523003B .....      | 7-5  |
| VII-1E. Hydraulic Components - Drive Manifold Assy. 555183 .....       | 7-6  |
| VII-1F. Hydraulic Components Hose Identification and Routing. ....     | 7-9  |
| VII-1G. Hydraulic Components - Hydraulic Tank Connections .....        | 7-10 |
| VII-1H. Return Filter. ....  | 7-12 |
| VII-1I. Oil Cooler. ....   | 7-12 |
| VII-1J. Manual Pump. ....  | 7-12 |
| VII-1K. Hydraulic Oil Temperature. ....                                | 7-12 |
| VII-1L. Hydraulic Components - Hydraulic Pumps .....                   | 7-13 |
| VII-2. Electrical Controls: (Understanding How They Work) .....        | 7-15 |
| VII-2A. Main Circuit Breaker. ....                                     | 7-15 |
| VII-2B. Tachometer .....   | 7-15 |
| VII-2C. Hourmeters .....   | 7-15 |
| VII-2D. Engine Safety Shutdown Switch (Murphy Magnetic Switch) .....   | 7-15 |
| VII-2E. Murphy "Engine Oil Press" gage .....                           | 7-15 |
| VII-2F. Murphy "Engine Coolant Temp" gage .....                        | 7-16 |
| VII-2G. Murphy "Hyd Oil Temp" gage .....                               | 7-16 |
| VII-2H. Hydraulic Oil Level Float Switch. ....                         | 7-16 |
| VII-2I. "Emergency Stop" button .....                                  | 7-16 |
| VII-2J. Pilot lights. ....   | 7-16 |
| VII-2K. Engine Control Switch "OFF-ON-START" .....                     | 7-17 |
| VII-2L. "LOCAL— PENDANT" Switch. ....                                  | 7-17 |
| VII-2M. Governor Control Switches "RAISE-off-LOWER" .....              | 7-17 |
| VII-2N. Clamp Control Switches ("OPEN-off-CLOSE") .....                | 7-17 |
| VII-2O. Drive Control Switches ("FORWARD/off/REVERSE") .....           | 7-18 |
| VII-2P. Preparing the Electrical System for Engine Startup. ....       | 7-19 |
| VII-2S. Power Unit Electrical Schematic .....                          | 7-20 |
| VII-2S. Electrical Schematic - Symbol Legend .....                     | 7-21 |
| VII-3. Control Pendant .....   | 7-22 |
| VII-3A. Control Pendant Wiring Diagram .....                           | 7-23 |
| VII-4. Recommended Bolt Tightening Torque. ....                        | 7-24 |



# OPERATION / MAINTENANCE MANUAL

MODEL 200 VIBRATORY DRIVER WITH MODEL 595 POWER UNIT

7032 SOUTH 196th - KENT, WA. 98032 - (253) 872-0141 / FAX (253) 872-8710

## **Safety Precautions**

(This list of precautions must be followed at all times to ensure personal & equipment safety.)

1. Read this manual from beginning to end before operating or working on this machine.
2. When operating in a closed area, pipe exhaust fumes outside. (**WARNING:** Breathing exhaust fumes can cause serious injury and even death.)
3. When servicing batteries, avoid any type of spark or open flame. Batteries generate explosive gases during charging. There must be proper ventilation when charging batteries.
4. Never Adjust or repair the unit while it is in operation.
5. Make sure the Control Pendant is in the "OFF" position before starting the unit.
6. Remove all tools and electrical cords before starting the unit.
7. Keep oily rags away from the exhaust system.
8. Never store flammable liquids near the engine.
9. Never stand under vibro at any time and keep your eyes on the vibro when it is in operation. Keep a look out for loose bolts or leaking hydraulic lines.
10. Avoid pulling on hose quick dis-connect fittings. Move power unit closer to work if hoses cannot reach. Do not use hoses as a tow line to tug the power unit! If a hose fails at the hydraulic couplers then it is a result of "hose tugging by the pile crew".
11. Avoid kinks in the hoses. Kinks will cut the hose safety factor by 50 percent.
12. Always wear eye and ear protection.
13. Avoid standing downwind of vibrating piles. Dirt and other matter may become airborne and fall into the unprotected eye.
14. Always wear a hardhat, gloves, and safety shoes.
15. When moving, driving or extracting pile, always attach safetyline between pile and crane hook.
16. (**WARNING**) Never clamp vibro to pile and dis-connect from crane line. Lay vibro down on ground when not in use.
17. Do not truck power unit with quick disconnect caps and plugs screwed on to fittings unless the caps and plugs have wire rope safety lines attached. Store in storage box under control panel.



# OPERATION / MAINTENANCE MANUAL

MODEL 200 VIBRATORY DRIVER WITH MODEL 595 POWER UNIT

7032 SOUTH 196th - KENT, WA. 98032 - (253) 872-0141 / FAX (253) 872-8710

## Figure List

|             |  |      |
|-------------|--|------|
| Figure 1-A. | Machine Features .....                                 | 1-1  |
| Figure 1-B. | General Description of 200 Vibro.....                  | 1-3  |
| Figure 1-C. | General Description of Suppressor Housing.....         | 1-4  |
| Figure 1-D. | General Description of Vibrator Gearbox.....           | 1-5  |
| Figure 1-E. | General Description of Clamp Attachment.....           | 1-6  |
| Figure 1-F. | Clamp Attachment Hole Configuration.....               | 1-6  |
| Figure 1-G. | Optional Attachments.....                              | 1-7  |
| Figure 1-H. | General Description of Model 595 Power Unit.....       | 1-8  |
| Figure 2-A. | Model 200 Final Assembly.....                          | 2-2  |
| Figure 2-B. | Suppressor Assembly.....                               | 2-6  |
| Figure 2-C. | Gearbox Assembly.....                                  | 2-8  |
| Figure 2-D. | Check Valve Assembly.....                              | 2-11 |
| Figure 2-E. | Model 200 Clamp Assembly.....                          | 2-12 |
| Figure 2-F. | Hose Bundle .....                                      | 2-14 |
| Figure 2-G. | Power Unit Skid .....                                  | 2-16 |
| Figure 2-H. | 1-1/2" Quick Disconnect Coupling .....                 | 2-17 |
| Figure 2-I. | 200 Caisson Clamp Assembly .....                       | 2-18 |
| Figure 2-J. | 200 Caisson Clamp Cylinder Assembly .....              | 2-19 |
| Figure 2-K. | Control Panel Assembly.....                            | 2-20 |
| Figure 2-L. | Control Panel-Gages.....                               | 2-23 |
| Figure 2-M. | Control Pendant Assembly .....                         | 2-24 |
| Figure 4-A. | Power Unit Hose Plumbing.....                          | 4-2  |
| Figure 4-B. | Bleeding Clamp Attachment .....                        | 4-3  |
| Figure 4-C. | Setting Relief Valve.....                              | 4-5  |
| Figure 4-D. | Checking Clamp Pressure Switch Setting .....           | 4-6  |
| Figure 4-E. | Control Pendant.....                                   | 4-8  |
| Figure 5-A. | Pump Drive - Durst PD802F .....                        | 5-7  |
| Figure 7-A. | Hydraulic System Schematic.....                        | 7-3  |
| Figure 7-B. | Clamp Drill Manifold Assembly 523003B.....             | 7-4  |
| Figure 7-C. | Hydraulic Schematic - Clamp Drill Manifold.....        | 7-5  |
| Figure 7-D. | Drive Manifold Assembly 555183 .....                   | 7-6  |
| Figure 7-E. | Hydraulic Schematic- Drive Manifold.....               | 7-7  |
| Figure 7-F. | Hydraulic Component Identification - Tank Detail ..... | 7-10 |
| Figure 7-G. | Hydraulic Pumps.....                                   | 7-13 |
| Figure 7-H. | Electrical Schematic .....                             | 7-20 |
| Figure 7-I. | Electrical Symbol Legend .....                         | 7-21 |
| Figure 7-J. | Control Pendant.....                                   | 7-22 |
| Figure 7-K. | Electrical Schematic - Control Pendant .....           | 7-23 |

## Table List

|            |  |      |
|------------|--|------|
| Table 1-A. | Vibro.....   | 1-2  |
| Table 1-B. | Power Unit .....                                       | 1-2  |
| Table 2-A. | Model 200 Final Assembly.....                          | 2-5  |
| Table 2-B. | Suppressor Assembly.....                               | 2-7  |
| Table 2-C. | Gearbox Assembly.....                                  | 2-9  |
| Table 2-D. | Check Valve Assembly.....                              | 2-11 |
| Table 2-E. | Model 200 Clamp Assembly.....                          | 2-13 |
| Table 2-F. | Hose Bundle .....                                      | 2-15 |
| Table 2-G. | Power Unit Skid .....                                  | 2-16 |
| Table 2-H. | 1-1/2" Quick Disconnect Coupling .....                 | 2-17 |
| Table 2-I. | 200 Caisson Clamp Assembly .....                       | 2-18 |
| Table 2-J. | 200 Caisson Clamp Cylinder Assembly .....              | 2-19 |
| Table 2-K. | Control Panel Assembly.....                            | 2-21 |
| Table 2-L. | Control Panel-Gages.....                               | 2-23 |
| Table 2-M. | Control Pendant Assembly .....                         | 2-25 |
| Table 6-A. | Vibro Trouble-Shooting Index .....                     | 6-1  |
| Table 7-A. | Clamp Drill Manifold Assembly 523003B.....             | 7-4  |
| Table 7-B. | Drive Manifold Assembly 555183 .....                   | 7-6  |
| Table 7-C. | Hose Identification and Routing.....                   | 7-9  |
| Table 7-D. | Hydraulic Component Identification - Tank Detail ..... | 7-11 |
| Table 7-E. | Hydraulic Pumps.....                                   | 7-13 |
| Table 7-F. | Recommended Bolt Tightening Torque.....                | 7-24 |





# OPERATION / MAINTENANCE MANUAL

MODEL 200 VIBRATORY DRIVER WITH MODEL 595 POWER UNIT

7032 SOUTH 196th - KENT, WA. 98032 - (253) 872-0141 / FAX (253) 872-8710

## **Warranty**

American Piledriving Equipment, Inc. J&M Foundation Equipment LLC  
STANDARD WARRANTY

American Piledriving Equipment, Inc./J&M Foundation Equipment LLC (APE/J&M) warrants new products sold by it to be free from defects in material or workmanship for a period of one year after the date of delivery to the first user and subject to the following conditions:

APE/J&M's obligation and liability under this WARRANTY is expressly limited to repairing or replacing at APE/J&M's option, any parts which appear to APE/J&M upon inspection to have been defective in material or

workmanship. Such parts shall be provided at

no cost to the user, at the business establishment of APE/J&M or the authorized APE/J&M distributor of the product during regular working hours. This WARRANTY, shall not apply to component parts or accessories of products not manufactured by APE/J&M and which carry the warranty of the manufacturer thereof, or to normal maintenance (scraped and scived lube and fuel lines, worn cushion material in the drive base) or normal maintenance parts (such as fouled injectors, weakened check valve springs, damaged grease zirts caused by use over time).

Replacement or repair parts installed in the product covered by this WARRANTY are warranted only for the remainder of the warranty as if such parts were original components of said product. APE/J&M makes no other warranty, expressed or implied and makes no warranty of merchantability of fitness for any particular purpose.

APE's obligation under this WARRANTY shall not include any transportation charges, costs of installation, duty, taxes or any other charges whatsoever, or any liability for direct, indirect, incidental or consequential damage or delay. If requested by APE/J&M, products or parts for which a warranty claim is made are to be returned transportation prepaid to APE/J&M. Any improper use, including operation after discovery of defective or worn parts, operation beyond rated capacity, substitution of any parts whatsoever, or parts not approved by APE/J&M or any alteration or repair by others in such manner as in APE/J&M's judgment affects the product materially and adversely, shall void this warranty.

**ANY TYPE OF WELDING ON EQUIPMENT**  
**WILL VOID THE WARRANTY**

Refusal: Vibros: If the pile does not move one foot in 30 seconds of vibro operation at full speed. Resort to a larger vibro. APE/J&M equipment may exceed the refusal driving criteria for short periods of time as may be needed to penetrate hard soil layers or obstacles. In such cases, a heat gun is used to monitor the temperature of the bearings and related components to prevent use of the machine beyond 210 degrees. Contact APE/J&M or your local APE/J&M distributor for special instructions when faced with refusal conditions.

Refusal: Diesels: Do not exceed 10 blows per inch or 120 blows per foot. In cases of setting of the pile it is permitted to increase the blow count to 250 blows per foot, but only for one foot of driving penetration. Pile inspectors should consult the APE factory for permission to exceed these limits. Failure to do so will void the warranty. This standard specification is accepted by the DFI (Deep Foundations Institute) and the PDCA (Pile Contractors Association) and by all manufacturers of pile driving equipment.



# OPERATION / MAINTENANCE MANUAL

MODEL 200 VIBRATORY DRIVER WITH MODEL 595 POWER UNIT

7032 SOUTH 196th - KENT, WA. 98032 - (253) 872-0141 / FAX (253) 872-8710

## I. GENERAL INFORMATION

### I-1. Machine Features. - Model 200 Vibratory Hammer

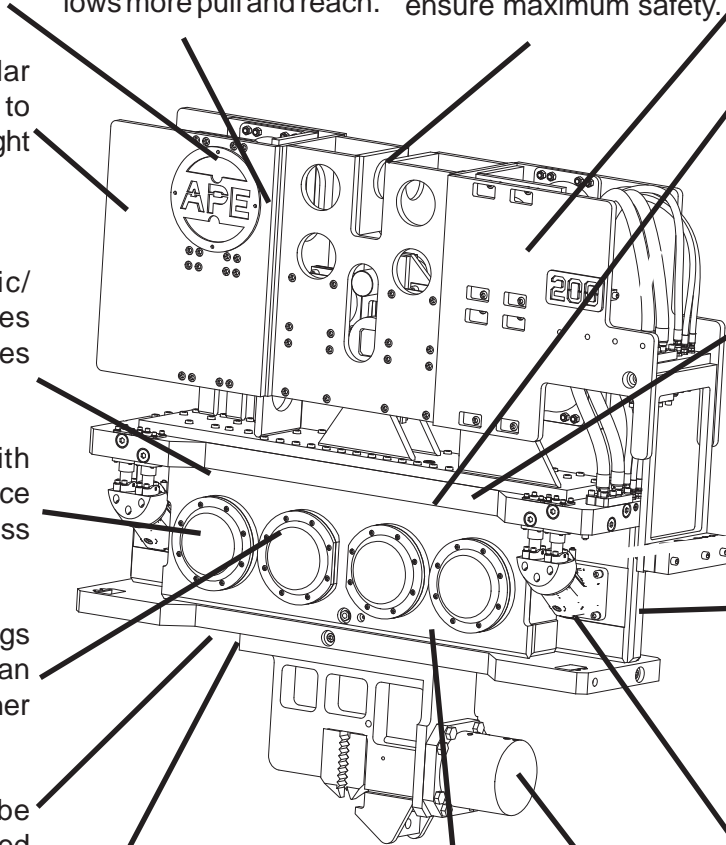
Patented breakthrough suppressor cuts down weight while increasing line pull.

The Model 200 outperforms other vibros in its class. It is lighter and allows more pull and reach.

The heavy duty lifting pin allows easy rigging of the vibro and two safety pins ensure maximum safety.

More pulling ability than other comparable vibros.

Suppressor is modular and can be removed to reduce suspended weight and height.



Gear box incorporates a machined O-ring groove to seal the top plate with no leaky gaskets.

One piece eccentric/gear design eliminates bolts, keyways, splines and pins.

Rifle bored top plate eliminates unwanted hoses that can cause serious downtime.

Eccentrics filled with "heavy metals" produce more amplitude with less parts.

Giant spherical bearings are five times larger than those found on other machines.

Computer designed gear-box is perfectly balanced with low center of gravity. Release crane line without the worry of bending piles.

The 200 vibro can be shipped fully assembled on one truck.

Hydraulic motors are recessed which eliminates the need for bolted on guards. Less parts - less problems.

Gear box drilled to accept attachments manufactured by APE and by other manufacturers.

High speed gear train will allow vibro to operate off many different power units.

Heavy cylinder needs no guards and all hoses are tucked out of harms way. The one piece design eliminates rear seals, tie rods & nuts.

Figure 1-A. Machine Features



# OPERATION / MAINTENANCE MANUAL

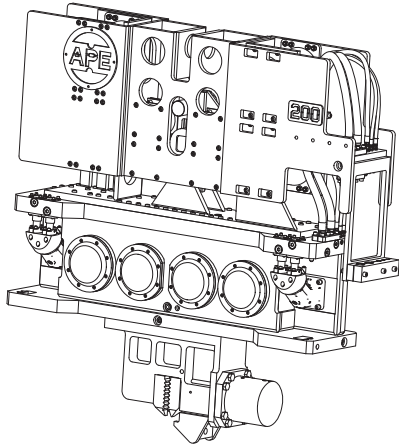
MODEL 200 VIBRATORY DRIVER WITH MODEL 595 POWER UNIT

7032 SOUTH 196th - KENT, WA. 98032 - (253) 872-0141 / FAX (253) 872-8710

## I. GENERAL INFORMATION (Continued...)

### I-2. Machine Specifications

#### A. Model 200 Vibro



#### Model 200

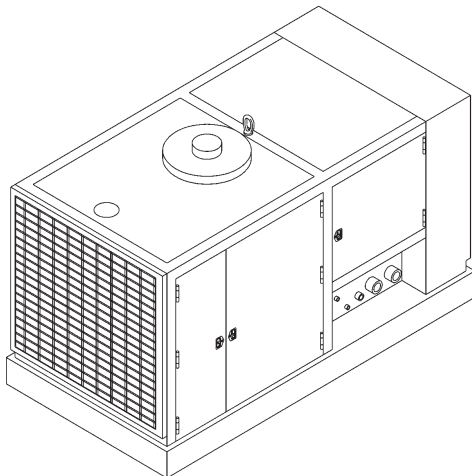
|                          |                            |
|--------------------------|----------------------------|
| Eccentric Moment         | 4,400 in-lbs (5,080 kg-cm) |
| Drive Force              | 160 Tons ( 1,423 kN)       |
| Frequency (cpm)          | 400 to 1,600               |
| Amplitude                | 1.17" (30 mm)              |
| Pile Clamp Force         | 120 Tons (1,176 kN)        |
| Line Pull for Extraction | 150 Tons (1,335 kN)        |
| Hydraulic Hose Length    | 150' (45 m)                |
| Suspended Weight*        | 13,600 lbs. (6,167 kg)     |
| Length                   | 106" (2692 mm)             |
| Width at Throat          | 15.25" (387 mm)            |
| Height**                 | 104" (2638 mm)             |

\* Weight includes Universal clamp and 1/2 of hose bundle.

\*\* Height includes Universal clamp.

Table 1-A. Vibro

#### B. Model 595 Power Unit



#### Model 595

|                        |                                      |
|------------------------|--------------------------------------|
| Engine                 | 595 hp. (444 kW)<br>Caterpillar C-15 |
| Maximum Power          | 595 hp (444 kW)                      |
| Operating Speed        | 800 to 2100 rpm                      |
| Maximum Drive Pressure | 5,000 psi (344 bar)                  |
| Hyd. Flow-FWD/REV      | 195 gpm (738 lpm)                    |
| Clamp Pressure         | 4,800 psi (331 bar)                  |
| Clamp Pump Flow        | 10 gpm (41 lpm)                      |
| Weight                 | 19,000 lbs (8,618 kg)                |
| Length                 | 152" (3,861 mm)                      |
| Width                  | 82.25" (2089 mm)                     |
| Height                 | 94" (2388 mm)                        |

Table 1-B. Power Unit



# **OPERATION / MAINTENANCE MANUAL**

**MODEL 200 VIBRATORY DRIVER WITH MODEL 595 POWER UNIT**

7032 SOUTH 196th - KENT, WA. 98032 - (253) 872-0141 / FAX (253) 872-8710

## **I. GENERAL INFORMATION (Continued...)**

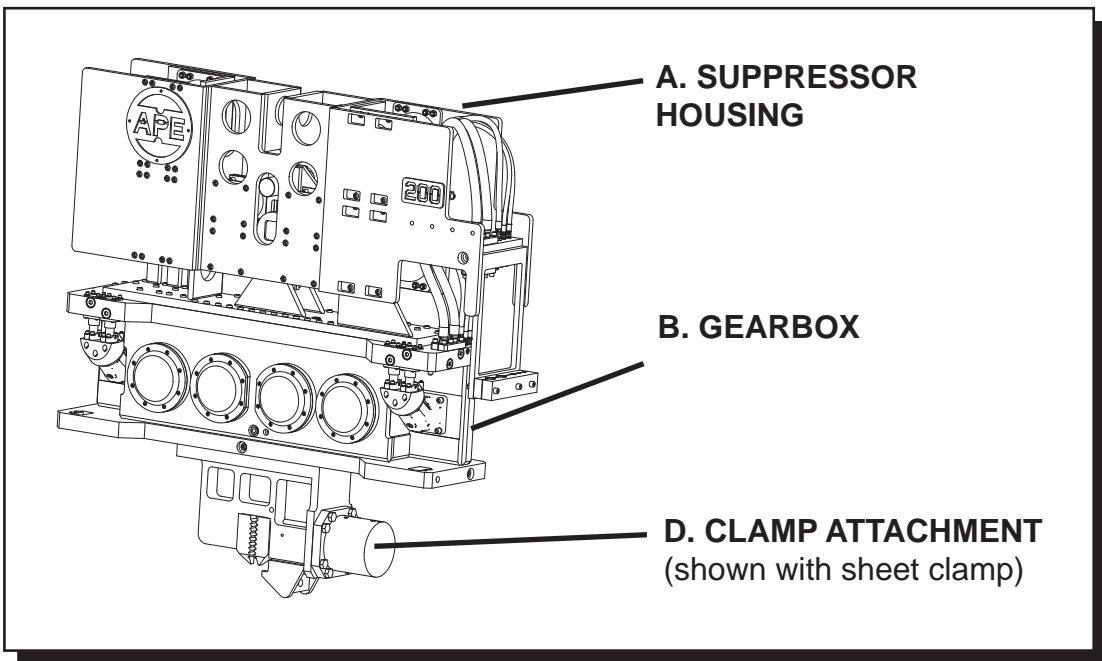
### **I-3. General Description of Model 200 Vibro**

The **APE Model 200** is a variable frequency vibratory pile driver/extractor designed to drive and extract all types of piles including sheet, pipe, timber, concrete, H-beam, I-beam and steel plates. In addition, the vibrator can be used for soil compaction, installing well casings, and installation of tie-backs and wick drains.

The Model 200 operates in a frequency range of 800 to 1,600 cycles per minute depending on the hydraulic flow and on the hydraulic motors fitted to the gear train.

The three major parts to the Model 200 are as follows:

- A. The Suppressor housing.
- B. The Gearbox.
- C. The Clamp Attachment.



**Figure 1-B. General Description of 200 Vibro.**

## I. GENERAL INFORMATION (Continued...)

### I-3A. The Suppressor Housing

The suppressor housing utilizes a total of four, first stage large elastomers and 8 small, second stage small elastomers. During extraction, the first stage displaces approximately 7.75 inches and then engages the inner second stage and engagement pin plate. The engagement pin will then come into motion and provide an additional 10 inches until the safety pin bottoms out in the visual slot registering the total line pull with a total maximum line pull of 150 tons. When the second stage is engaged you must be fully engaged in the second stage. Bouncing on the safety pin between stages is damaging. (**WARNING! Hard pulling for long periods of time will heat and damage the large elastomers. The heat generated from constant heavy line pull will destroy the chemical bond between the rubber and mounting plate which will cause elastomer failure.**) When engaged in hard extracting, break every 15 minutes to allow elastomers to cool.

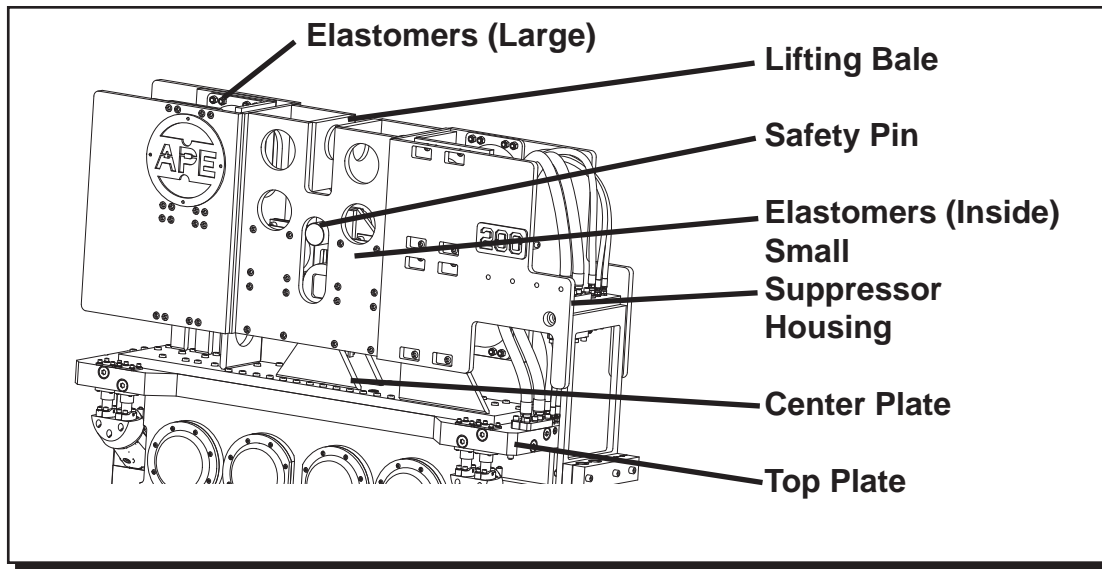


Figure 1-C. General Description of Suppressor Housing.



# OPERATION / MAINTENANCE MANUAL

MODEL 200 VIBRATORY DRIVER WITH MODEL 595 POWER UNIT

7032 SOUTH 196th - KENT, WA. 98032 - (253) 872-0141 / FAX (253) 872-8710

## I. GENERAL INFORMATION (Continued...)

### I-3B. The Vibrator Gearbox

The vibrator gearbox contains four high amplitude eccentric weights cast in one piece with the gear. This design is unique to the industry and was developed by the engineers of APE to solve a number of problems associated with other types of vibrator machines. The eccentric and the drive gears have been helically cut to provide high speed operation with reduced noise and wear. Vibration is caused by the vertical movement created when the eccentrics are rotated. The eccentrics and drive gears are all driven in line by a hydraulic motor tucked in on the outboard side of the gearbox. The motor is recessed for maximum protection. The eccentrics rotate on four shafts housed by eight giant spherical bearings. The gears and bearings receive lubrication as a result of the fluid splashing inside the gearbox when the gears are rotated. The oil level is quickly determined by looking at the site gauge. The Model 200 can be operated under water to a depth of 30 feet without modifications. (Consult factory for depths below 30 feet.)

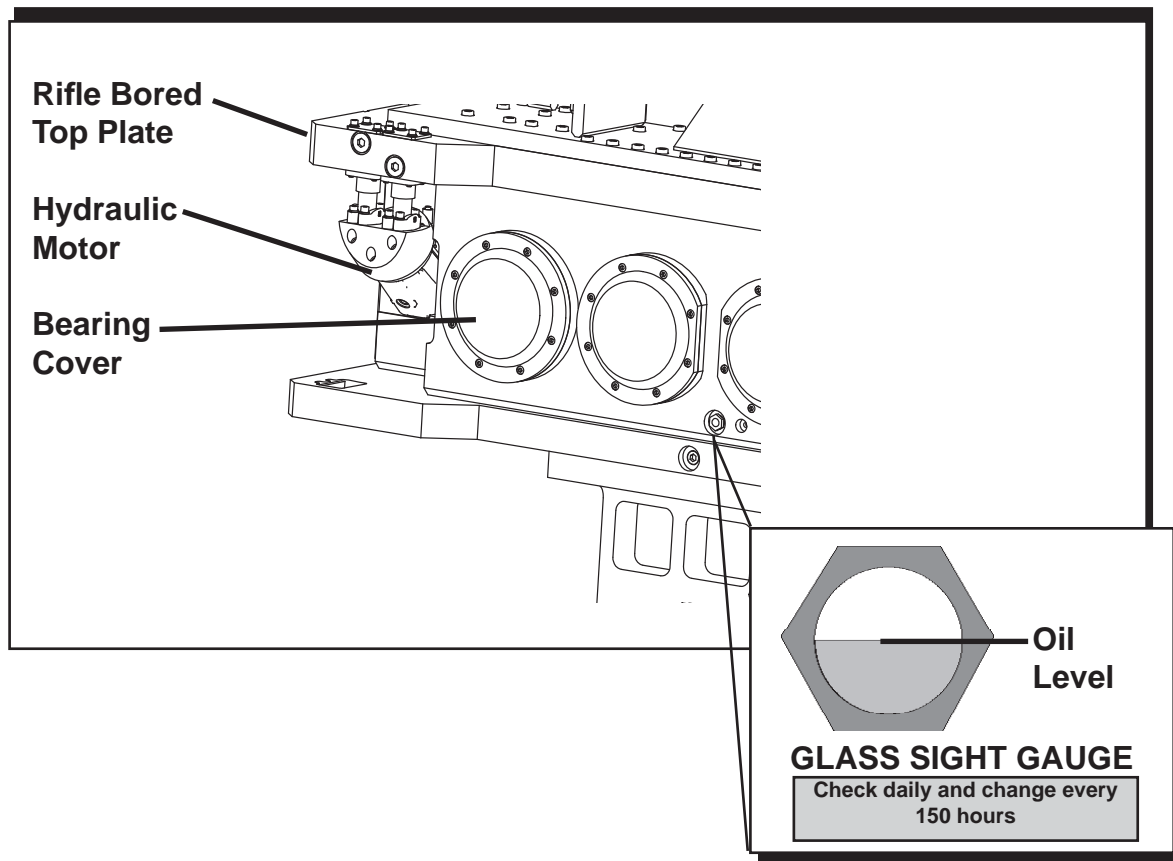


Figure 1-D. General Description of Vibrator Gearbox.



# OPERATION / MAINTENANCE MANUAL

MODEL 200 VIBRATORY DRIVER WITH MODEL 595 POWER UNIT

7032 SOUTH 196th - KENT, WA. 98032 - (253) 872-0141 / FAX (253) 872-8710

## I. GENERAL INFORMATION (Continued...)

### I-3C. The Clamp Attachment

The APE 200 comes with a **Caisson Beam and Caisson Clamps**. The clamps contain two gripping jaws. One is "fixed" and one is "moveable". A large hydraulic cylinder operates the moveable jaw with up to 120 tons of clamping force depending on clamp pump relief pressure. The jaws open and close by turning a switch on the remote control pendant or may be operated by turning the switch at the main control panel mounted behind one of the doors on the power unit. The valve can be manually operated with a screwdriver if all electrical fails. **The APE Caisson Clamp** can be used for driving and extracting caissons from 16 inches to 9.5 feet. (for larger diameters contact APE) The clamps are held in place with a simple wedge-lock design. Clamps can be fitted with hydraulically activated wedges for faster adjustments when driving more than one size caisson. (Contact APE or your local APE distributor for more information on clamp attachments for special pile types.)

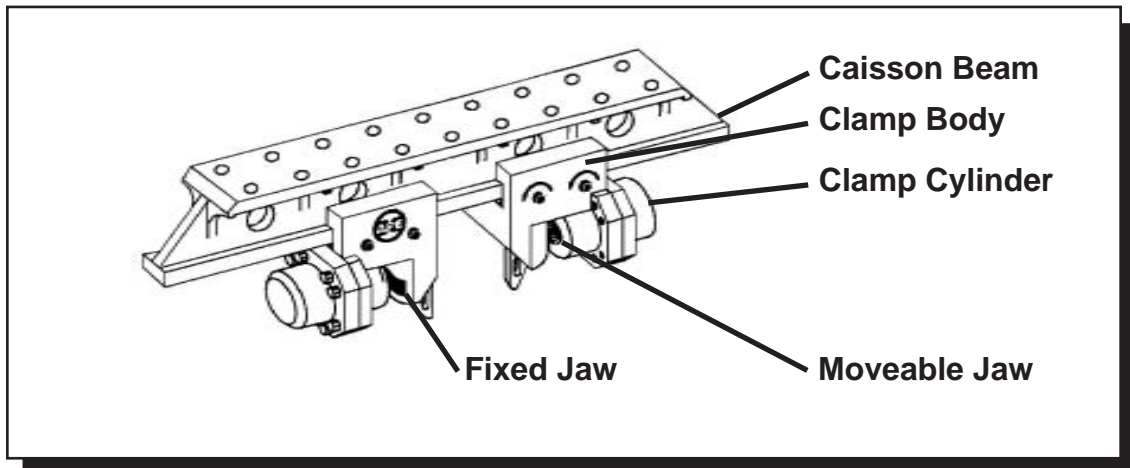
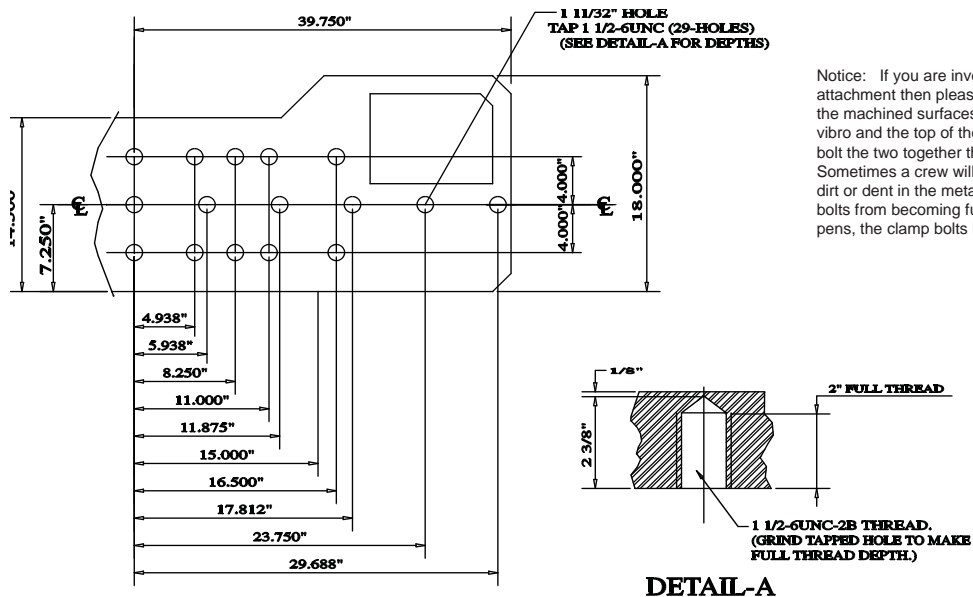


Figure 1-E. General Description of Clamp Attachment.



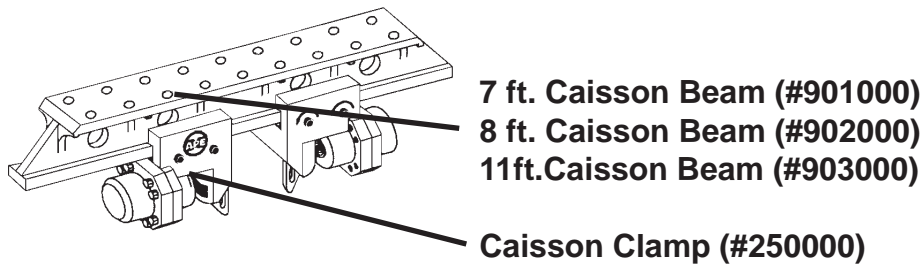
Notice: If you are involved in changing a clamp attachment then please train your crew to clean the machined surfaces of both the bottom of the vibro and the top of the clamp so that when they bolt the two together they will mate up properly. Sometimes a crew will forget to do this and the dirt or dent in the metal plates will prevent the bolts from becoming fully tight. When this happens, the clamp bolts break.

Figure 1-F. Clamp Attachment Hole Configuration.

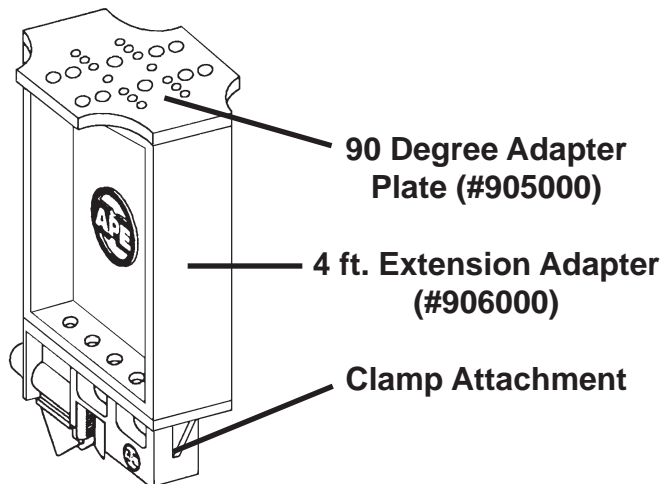
## I. GENERAL INFORMATION (Continued...)

### I-3D. Optional Attachments

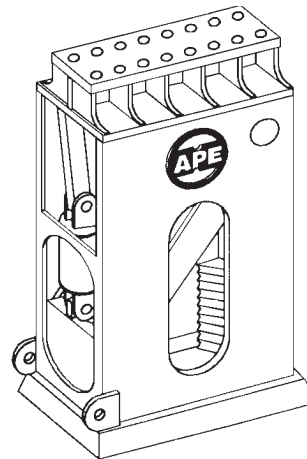
The following are some of the optional attachments for the Model 200 Vibratory hammer. (Contact APE or your local APE distributor for more information about these and other available equipment.)



**APE CAISSON CLAMP**



**APE 90 DEGREE ADAPTER WITH EXTENSION**



**APE DELUXE WOOD CLAMP (#907000)**

**Figure 1-G. Optional Attachments**





# OPERATION / MAINTENANCE MANUAL

MODEL 200 VIBRATORY DRIVER WITH MODEL 595 POWER UNIT

7032 SOUTH 196th - KENT, WA. 98032 - (253) 872-0141 / FAX (253) 872-8710

## I. GENERAL INFORMATION (Continued...)

### I-4. General Description of Model 595 Power Unit

The 200 vibrator runs off the APE 595 power unit. The APE 595 has a 595 horsepower (444 kW) CATERPILLAR C18 engine. The engine is mounted to a tubular frame that also serves as a diesel fuel tank. A sheet metal and tube frame covers the engine and is equipped with locking doors for protection from the environment. A control panel is located behind one of the doors and comes complete with a 50 foot (15.2 M) control pendant. There are two hydraulic tanks on the power unit. One is the main tank and the other is a storage tank for extra oil in case the main tank becomes depleted. A hydraulic tank supplies oil to four pumps. Two pumps feed the vibrator motors. A small dual pump feeds the clamp attachment and phase shifter. There is also a recirculation pump to keep the oil cool and filtered. The Vibrator is connected to the power unit via five hydraulic hoses. The 1 1/2" (ID) hoses are the pressure line and the return line for the vibrator motors. Two small 3/8" (ID) hoses are for the clamp system. The 3/4" (ID) hose is for the vibrator motor case drain line. The hoses are attached to the power unit by connecting the "quick disconnect fittings" on the end of the hoses leading from the vibrator. The fittings go on only one way so there is no chance of hooking up the hoses improperly.

**WARNING:** Clean with ether or a clean rag before installing quick disconnects. Make sure you seat the quick disconnect fittings all the way tight. Failure to tighten the quick disconnects will stop the flow of oil and will prevent the vibro from operating. Failure to tighten the clamp fittings completely tight will cause the jaws to either not open or not close. If this happens you may have to crack the fitting and bleed off the pressure to release the quick disconnects.

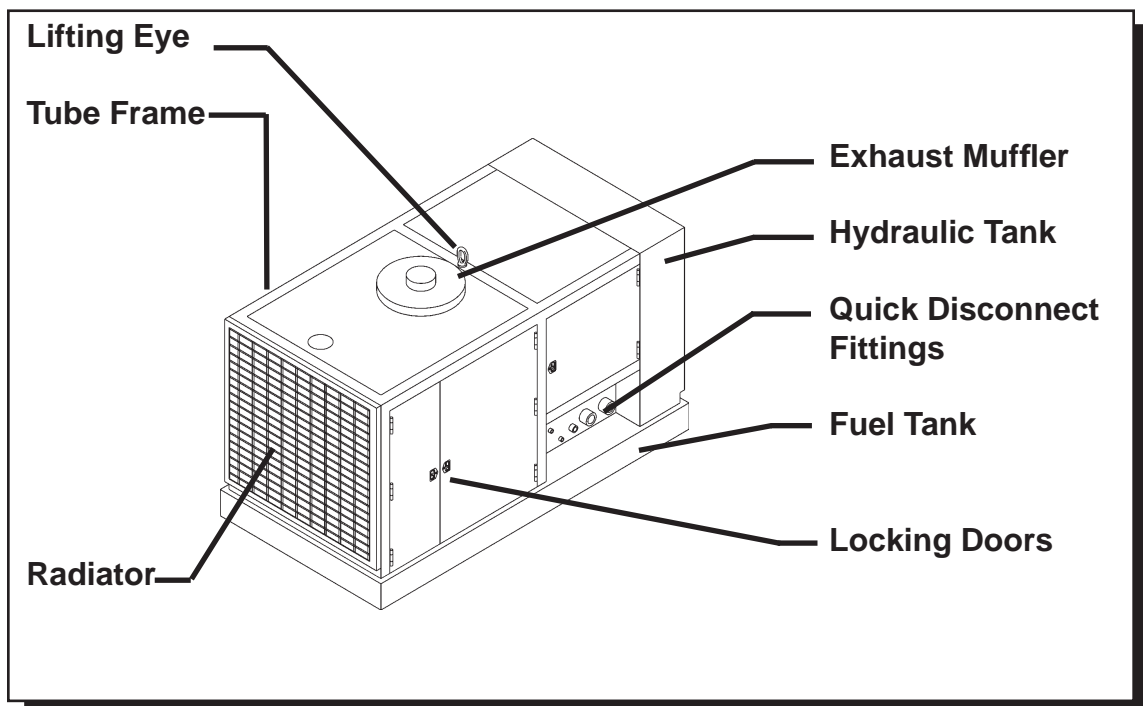


Figure 1-H. General Description of Model 595 Power Unit

### II. MAJOR COMPONENT DEFINITION

#### II-1. Model 200 Final Assembly Identification

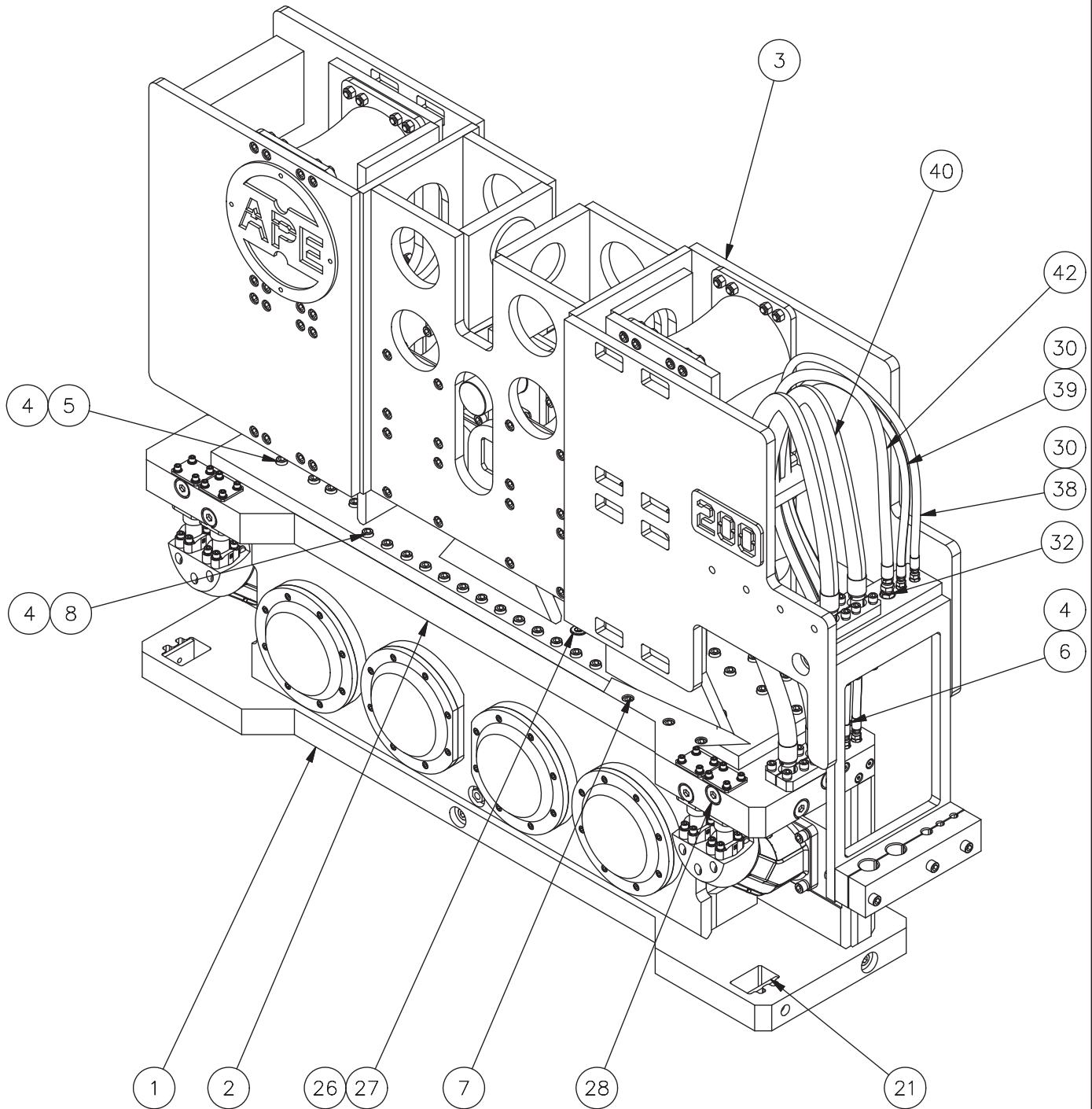


Figure 2-A. Model 200 Final Assembly



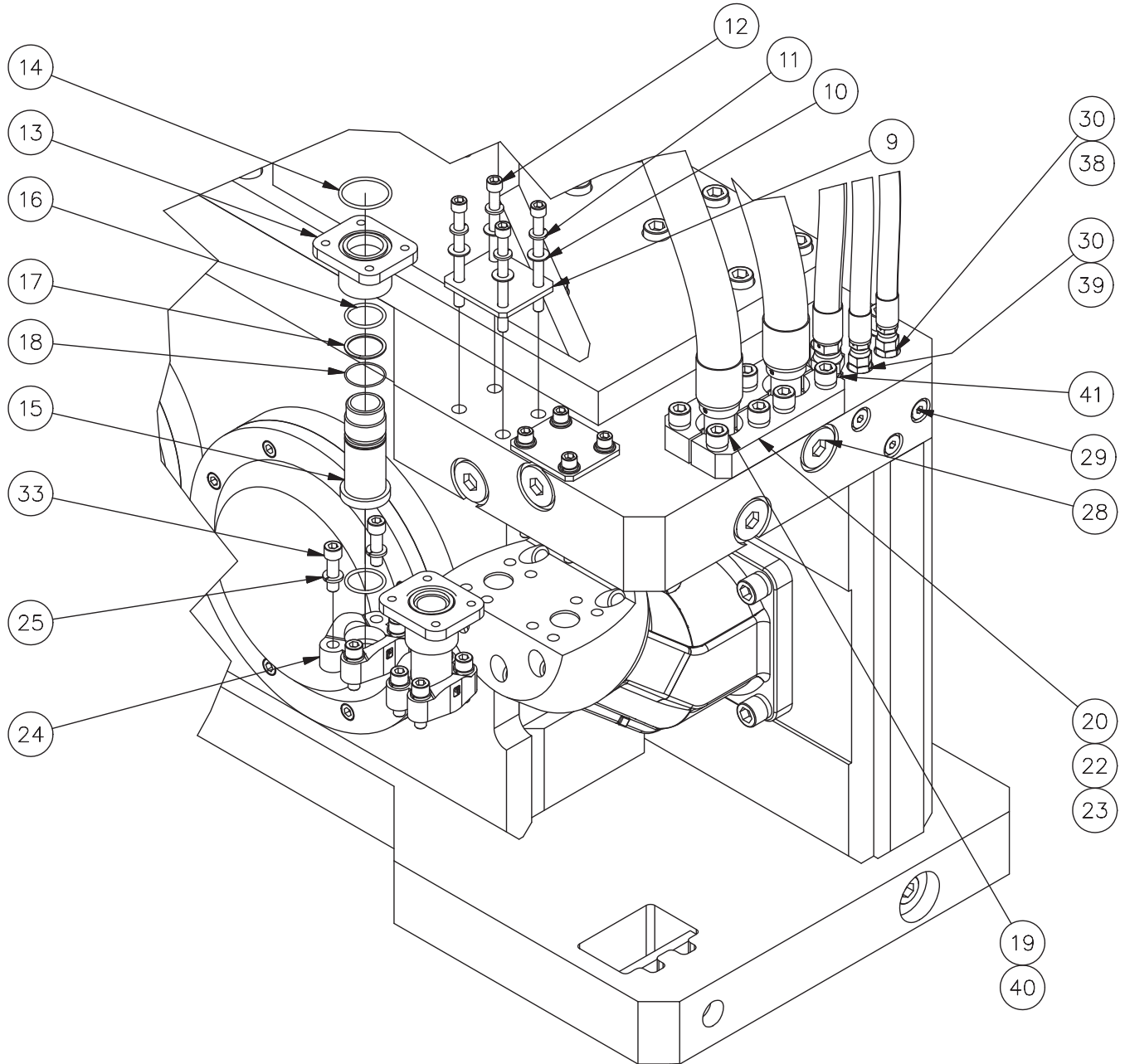
# OPERATION / MAINTENANCE MANUAL

MODEL 200 VIBRATORY DRIVER WITH MODEL 595 POWER UNIT

7032 SOUTH 196th - KENT, WA. 98032 - (253) 872-0141 / FAX (253) 872-8710

## II. MAJOR COMPONENT DEFINITION (Continued...)

### II-1. Model 200 Final Assembly Identification





# OPERATION / MAINTENANCE MANUAL

MODEL 200 VIBRATORY DRIVER WITH MODEL 595 POWER UNIT

7032 SOUTH 196th - KENT, WA. 98032 - (253) 872-0141 / FAX (253) 872-8710

## II. MAJOR COMPONENT DEFINITION (Continued...)

### II-1. Model 200 Final Assembly Identification

| Parts List |     |                   |                                 |
|------------|-----|-------------------|---------------------------------|
| ITEM       | QTY | STOCK NUMBER      | DESCRIPTION                     |
| 1          | 1   | 153001            | GEAR BOX ASSEMBLY               |
| 2          | 1   | 153002            | TOP PLATE                       |
| 3          | 1   |                   | SUPPRESSOR ASSEMBLY             |
| 4          | 52  |                   | 0.75 HI COLLAR LOCK WASHER      |
| 5          | 14  |                   | 0.75 -10 UNC X 2.75" SHCS       |
| 6          | 4   |                   | 0.75 -10 UNC X 5.50" SHCS       |
| 7          | 8   |                   | 0.75 -10 UNC X 4.50" SHCS       |
| 8          | 34  |                   | 0.75 -10 UNC X 6.50" SHCS       |
| 9          | 4   | 1004031           | PLATE WASHER                    |
| 10         | 16  | 556051            | 0.44 FLAT WASHER                |
| 11         | 16  | 556007            | 0.44 LOCK WASHER                |
| 12         | 16  | 556685            | 0.44 -14 UNC X 5.00" SHCS       |
| 13         | 4   | 1004812           | HYDRAULIC FLANGE FEMALE COUPLER |
| 14         | 4   | SEAL KIT/ 100929  | 2-226 O-RING                    |
| 15         | 4   | 1004027           | HYDRAULIC MOTOR MALE COUPLER    |
| 16         | 8   | SEAL KIT/ 100037  | 2-222 O-RING                    |
| 17         | 4   | SEAL KIT          | 8-222 BACK UP O-RING            |
| 18         | 4   | SEAL KIT          | 2-030 O-RING                    |
| 19         | 6   | SEAL KIT / 110119 | 2-225 O-RING                    |
| 20         | 3   | 123021            | DOUBLE SPLIT FLANGE             |



# OPERATION / MAINTENANCE MANUAL

MODEL 200 VIBRATORY DRIVER WITH MODEL 595 POWER UNIT

7032 SOUTH 196th - KENT, WA. 98032 - (253) 872-0141 / FAX (253) 872-8710

## II. MAJOR COMPONENT DEFINITION (Continued...)

### II-1. Model 200 Final Assembly Identification

| Parts List |     |              |                                   |
|------------|-----|--------------|-----------------------------------|
| ITEM       | QTY | STOCK NUMBER | DESCRIPTION                       |
| 21         | 2   | 123023       | HOSE CLAMP PLATE                  |
| 22         | 24  | 556759       | 0.63 HI COLLAR LOCK WASHER        |
| 23         | 24  | 556033       | 0.63 -11 UNC X 2.25" SHCS         |
| 24         | 4   | 140468       | -20 SPLIT FLANGE CODE 62          |
| 25         | 16  | 100121       | 0.50 LOCK WASHER                  |
| 26         | 1   | 100063       | FITT2P-16P                        |
| 27         | 1   |              | FITT2P-20P                        |
| 28         | 8   |              | FITT2P-20R                        |
| 29         | 10  | 100903       | FITT2P-08R                        |
| 30         | 12  | 100139       | FITT2S-08M08R000-000H001          |
| 31         | 4   |              | FITT2C-08J                        |
| 32         | 2   | 100609       | FITT2S-12M12R000-000H001          |
| 33         | 16  | 100163       | 0.50 -13 UNC X 1.75" SHCS         |
| 34         | 201 | SEAL KIT     | 0.125 FLOURCARBON C/S O-RING CORD |
| 35         | 2   |              | FITT2S-08M10R000-000H001          |
| 36         | 1   |              | HOSE050R09J908J009L01700          |
| 37         | 1   |              | HOSE050R09J908J009L01700          |
| 38         | 1   |              | HOSE050R09J908J009L01700          |
| 39         | 1   |              | HOSE050R09J908J009L07200          |
| 40         | 2   |              | HOSE125R13F024F024L07800          |
| 41         | 1   |              | FITT2S-12M08R                     |
| 42         | 1   |              | HOSE075R09J012J012L07800          |

SEAL KIT P/N # 122016

### II. MAJOR COMPONENT DEFINITION (Continued...)

#### II-2. Suppressor Identification

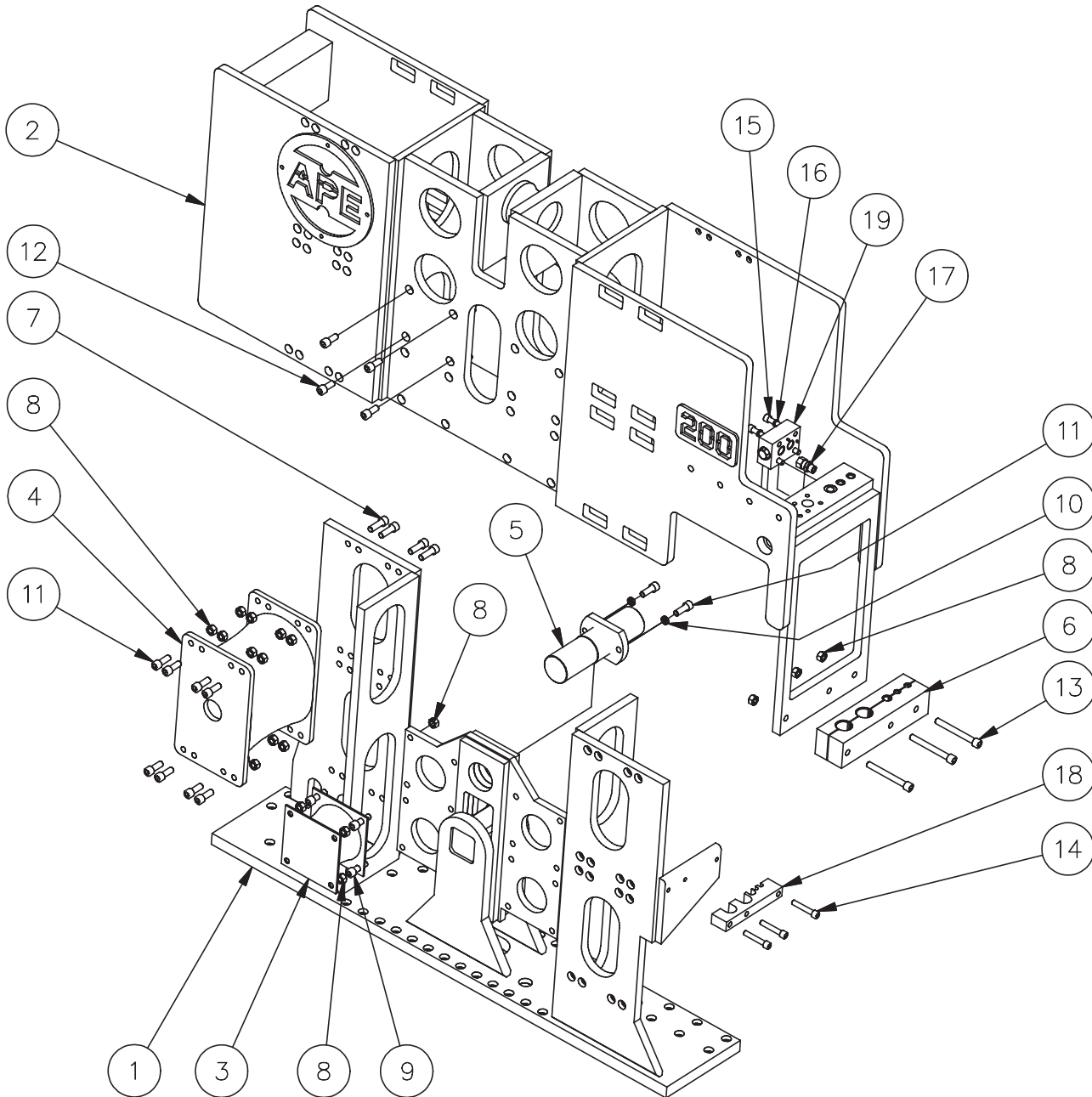


Figure 2-B. Suppressor Assembly



# OPERATION / MAINTENANCE MANUAL

MODEL 200 VIBRATORY DRIVER WITH MODEL 595 POWER UNIT

7032 SOUTH 196th - KENT, WA. 98032 - (253) 872-0141 / FAX (253) 872-8710

## II. MAJOR COMPONENT DEFINITION (Continued...)

### II-2. Suppressor Identification

| Parts List |     |              |                                 |
|------------|-----|--------------|---------------------------------|
| ITEM       | QTY | STOCK NUMBER | DESCRIPTION                     |
| 1          | 1   | 1007227      | INNER SUPPRESSOR                |
| 2          | 1   | 1004209-2    | SUPPRESSOR HOUSING              |
| 3          | 8   | 321004       | ELASTOMER                       |
| 4          | 4   | 321003       | LARGE ELASTOMER                 |
| 5          | 1   | 1000514      | GUIDE PIN                       |
| 6          | 1   | 1003856      | HOSE CLAMP                      |
| 7          | 32  | 556815       | 0.75 -10 UNC X 2.25" SHCS       |
| 8          | 115 | 556101       | 0.75 -10 UNC STOVER NUT         |
| 9          | 16  | 556819       | 0.75 -10 UNC X 2.50" SHCS       |
| 10         | 2   | 556035       | 0.75 HI COLLAR LOCK WASHER      |
| 11         | 34  | 556817       | 0.75 -10 UNC X 2.00" SHCS       |
| 12         | 32  | 556819       | 0.75 -10 UNC X 1.75" SHCS       |
| 13         | 3   | 556851       | 0.75 -10 UNC X 6.50" SHCS       |
| 14         | 3   | 556769       | 0.63 -11 UNC X 3.50" SHCS       |
| 15         | 4   | 556825       | 0.63 -11 UNC X 3.25" SHCS       |
| 16         | 4   | 556011       | 0.63 HI COLLAR LOCK WASHER      |
| 17         | 1   | 321009       | POP OFF VALVE                   |
| 18         | 1   | 1003170      | INNER HOSE CLAMP                |
| 19         | 1   | 321015       | CHECK VALVE ASSEMBLY (ANTI CAV) |

**Table 2-B. Suppressor Assembly**

### II. MAJOR COMPONENT DEFINITION (Continued...)

#### II-3. Gearbox Identification

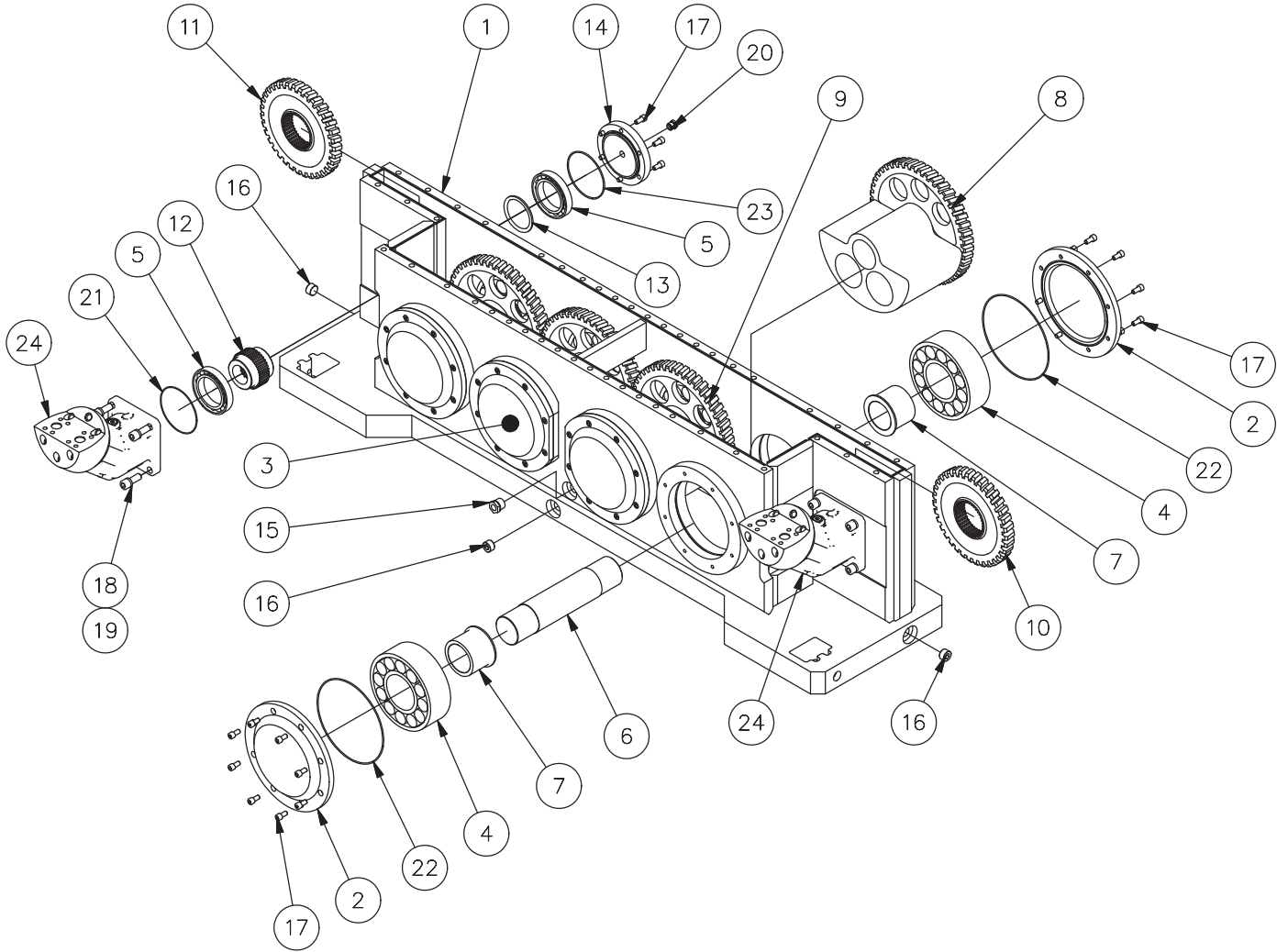


Figure 2-C. Gearbox Assembly





# OPERATION / MAINTENANCE MANUAL

MODEL 200 VIBRATORY DRIVER WITH MODEL 595 POWER UNIT

7032 SOUTH 196th - KENT, WA. 98032 - (253) 872-0141 / FAX (253) 872-8710

## II. MAJOR COMPONENT DEFINITION (Continued...)

### II-3. Gearbox Identification

| Parts List |     |              |                                  |
|------------|-----|--------------|----------------------------------|
| ITEM       | QTY | STOCK NUMBER | DESCRIPTION                      |
| 1          | 1   | 153001       | GEAR BOX                         |
| 2          | 4   | 121004       | ECCENTRIC BEARING COVER          |
| 3          | 4   | 121004F      | ECCENTRIC BEARING COVER CUT EDGE |
| 4          | 8   | 121001       | ECCENTRIC BEARING                |
| 5          | 4   | 122002       | MOTOR BEARING                    |
| 6          | 4   | 121003       | ECCENTRIC SHAFT                  |
| 7          | 8   | 121005       | BEARING SLEEVE                   |
| 8          | 2   | 131007F      | ECCENTRIC LEFT HAND              |
| 9          | 2   | 131007F      | ECCENTRIC RIGHT HAND             |
| 10         | 1   | 152007       | DRIVE GEAR RIGHT HAND            |
| 11         | 1   | 152006       | DRIVE GEAR LEFT HAND             |
| 12         | 2   | 122010       | GEAR CARRIER                     |
| 13         | 2   | 122009       | GEAR SPACER                      |
| 14         | 2   | 122005       | MOTOR BEARING COVER              |
| 15         | 1   | 123005       | SIGHT GLASS                      |
| 16         | 3   | 123004       | 1" MAG PIPE PLUG                 |
| 17         | 76  | 100445       | 0.50 -13 UNC X 1.00 SHCS         |
| 18         | 8   | 124223       | 0.75 HI COLLAR LOCK WASHER       |
| 19         | 8   | 124225       | 0.75 -10 UNC X 2.00 SHCS         |
| 20         | 2   | 122015       | GEAR BOX BREATHER                |
| 21         | 2   | 110195       | 2-163 O-RING                     |
| 22         | 8   | 110098       | 2-276 O-RING                     |
| 23         | 2   | 122019       | 2-258 O-RING                     |
| 24         | 2   | 1005193      | GEAR BOX MOTOR (160)             |
|            |     |              |                                  |

SEAL = 153003 SEAL KIT

**Table 2-C. Gearbox Assembly**



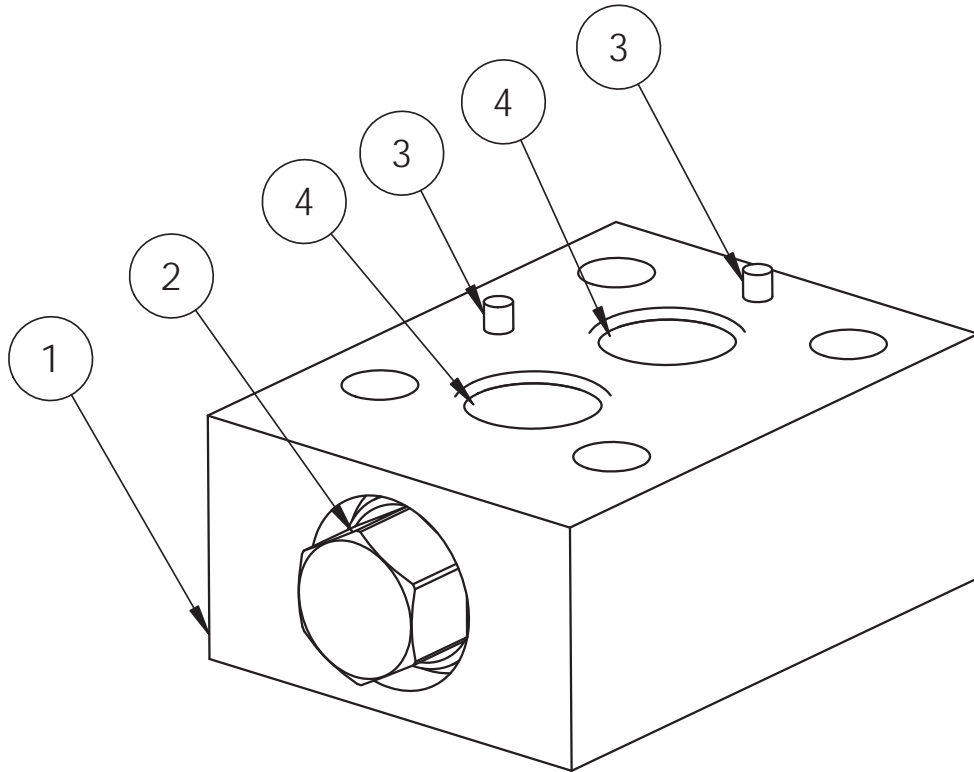
# **OPERATION / MAINTENANCE MANUAL**

**MODEL 200 VIBRATORY DRIVER WITH MODEL 595 POWER UNIT**

**7032 SOUTH 196th - KENT, WA. 98032 - (253) 872-0141 / FAX (253) 872-8710**

## II. MAJOR COMPONENT DEFINITION (Continued...)

### II-4. Check Valve Identification



**Figure 2-D. Check Valve Assembly**

| ITEM NO. | QTY. | PartNo  | DESCRIPTION          |
|----------|------|---------|----------------------|
| 1        | 1    | 1000515 | CHECK VALVE BODY     |
| 2        | 1    | 1000516 | CHECK VALVE          |
| 3        | 2    | 1000517 | 0.25 X 0.50 ROLL PIN |
| 4        | 2    | 1000518 | 2-123 O-RING         |

**Table 2-D. Check Valve Assembly**

### II. MAJOR COMPONENT DEFINITION (Continued...)

#### II-5. Clamp Identification

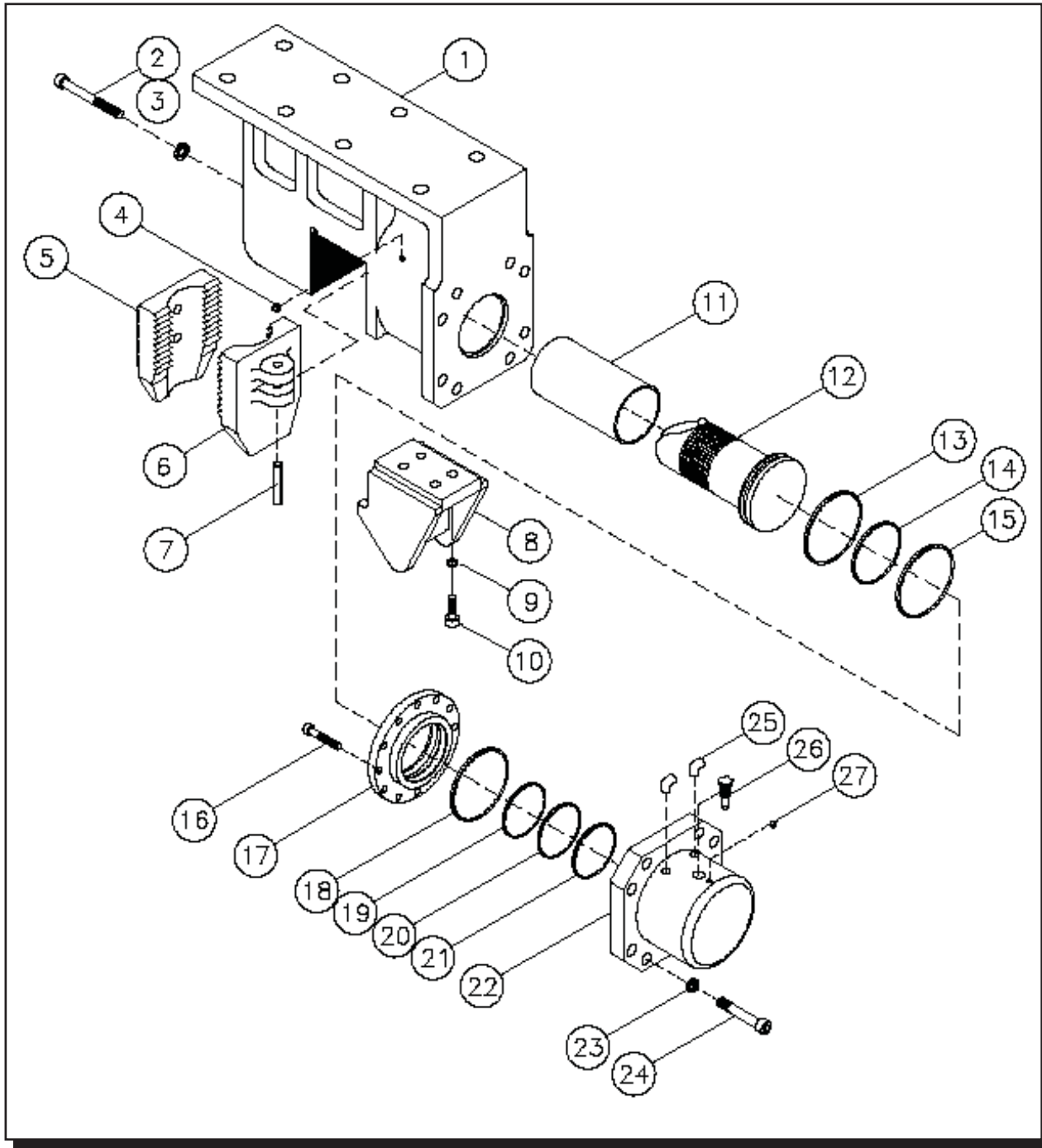


Figure 2-E. Model 200 Clamp Assembly



# OPERATION / MAINTENANCE MANUAL

MODEL 200 VIBRATORY DRIVER WITH MODEL 595 POWER UNIT

7032 SOUTH 196th - KENT, WA. 98032 - (253) 872-0141 / FAX (253) 872-8710

## II. MAJOR COMPONENT DEFINITION (Continued...)

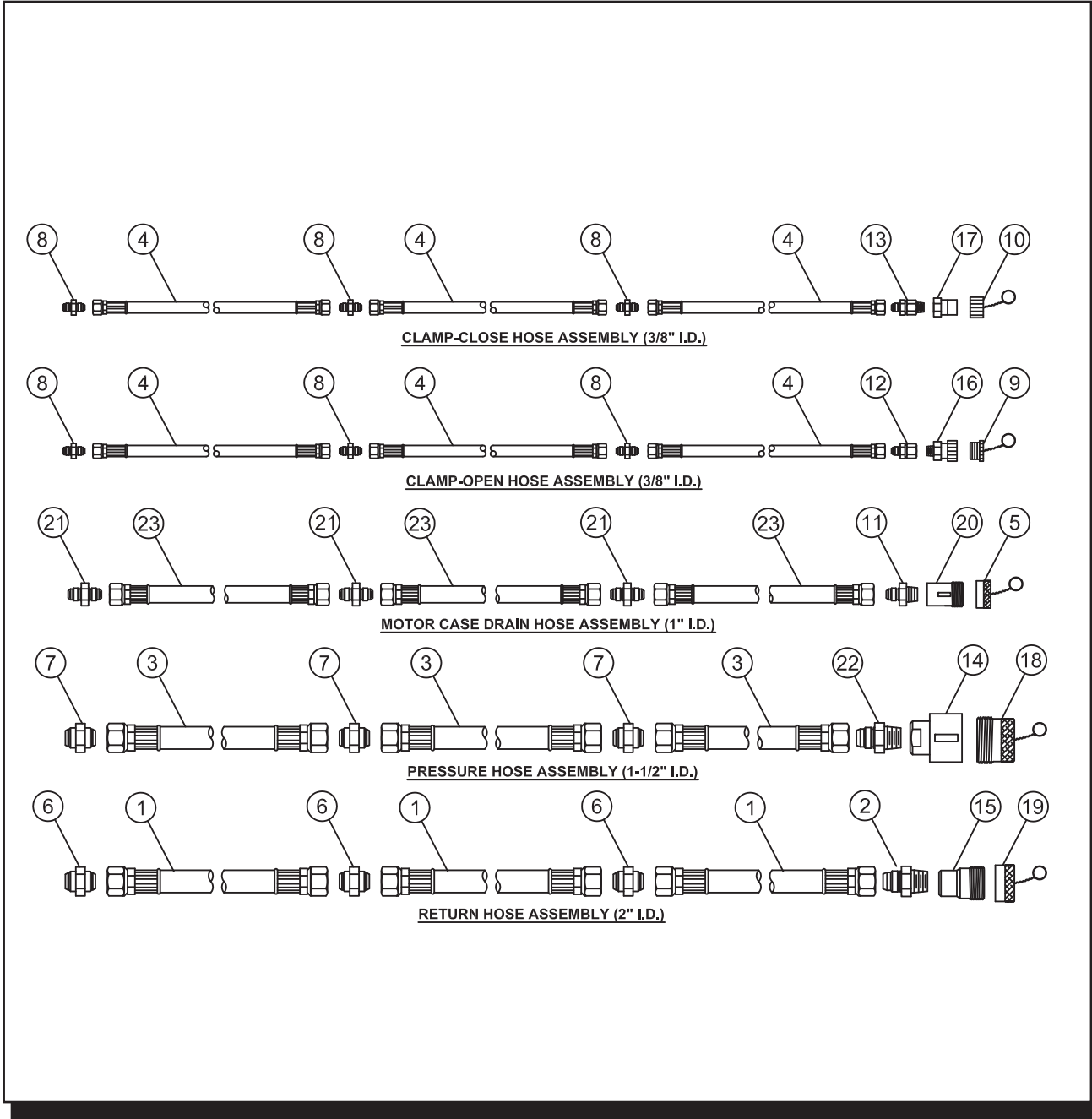
### II-5. Clamp Identification

| QTY  | DESCRIPTION                     | PART #  |
|--|---------------------------------|---------|
| 1  | Clamp Body                      | 231000  |
| 2  | Bolt-SHCS 1" NC X 9" Lg         | 124206  |
| 2  | 1" High Collar Lock Washer      | 124207  |
| 1  | 1/8" Grease Zerk                | 221001  |
| 1  | Fixed Jaw Double                | 221011  |
| 1  | Moveable Jaw Double             | 221005  |
| 1  | Jaw Pin                         | 221002  |
| 1  | Sheet Pile Guide                | 221017  |
| 4  | 1" High Collar Lock Washer      | 124207  |
| 4  | Bolt-SHCS 1" NC X 3" Lg         | 124208  |
| 1  | Plastic Sleeve                  | 221024  |
| 1  | Piston / Rod                    | 232007A |
| 1  | Parker O-Ring R-5100-128        | 222010  |
| 1  | Parker Expander #442            | 222010  |
| 1  | Parker Molygard W2-8000-750     | 222010  |
| 12   | Bolt-SHCS 5/8 NF (Machined)     | 124209  |
| 1  | Cylinder Gland                  | 222004  |
| 1  | Parker O-Ring 2-367 w/ 8-367    | 222010  |
| 1  | Parker Wiper SH959-53           | 222010  |
| 1  | Parker Polypack 2500-6000-375B  | 222010  |
| 1  | Parker Molygard W2-6250-750     | 222010  |
| 1  | Clamp Cylinder Barrel           | 232001B |
| 8  | 1-1/4" High Collar Lock Washer  | 124205  |
| 8  | Bolt-SHCS 1-1/4" NF X 3-1/2" Lg | 124204  |
| 2  | #6 SAE - #6 JIC 45° Fitting     | 222002  |
| 1  | Check Valve                     | 222016  |
| 1  | #6 SAE Allen Plug               | 222017  |
| Note: All Seals & O-Rings are part of Seal Kit |                                 | 222010  |

**Table 2-E. Model 200 Clamp Assembly**

### II. COMPONENT DEFINITION (Continued...)

#### II-6. Hose Bundle.



**Figure 2-F. Hose Bundle**



# OPERATION / MAINTENANCE MANUAL

MODEL 200 VIBRATORY DRIVER WITH MODEL 595 POWER UNIT

7032 SOUTH 196th - KENT, WA. 98032 - (253) 872-0141 / FAX (253) 872-8710

## II. COMPONENT DEFINITION (Continued...)

### II-6. Hose Bundle.

The following is a list of the hoses that are shipped with the Model 200 Vibratory Driver.

| Item | Qty | Description  | Part No. |
|------|-----|--|----------|
| 1    | 3   | 2" x 50' c/w #32 FJIC e/e<br>Hose (5000 psi rated)     | #421008  |
| 2    | 2   | Fitting #32 MJIC/ #32 M.Pipe                           | #421051  |
| 3    | 3   | 1-1/2" x 50' c/w #24 FJIC e/e<br>Hose (5000 psi rated) | #421008  |
| 4    | 6   | 3/8" x 50' c/w 3/8" FJIC e/e<br>Hose (CPB 5500 psi)    | #421010  |
| 5    | 1   | 1" Dust Cap  | #        |
| 6    | 3   | Fitting #32 Male JIC Union                             | #421048  |
| 7    | 3   | Fitting #24 Male JIC Union                             | #421012  |
| 8    | 6   | Fitting #6 Male JIC Union                              | #421014  |
| 9    | 1   | 3/8" Safeway Plug #S34-3                               | #421027  |
| 10   | 1   | 3/8" Safeway Cap #S39-3                                | #421026  |
| 11   | 1   | Fitting #16 MJIC/ #16 M. Pipe                          | #        |
| 12   | 1   | Fitting #6 MJIC/ #6 F. Pipe                            | #421011  |
| 13   | 1   | Fitting #6 MJIC/ #6 M. Pipe                            | #421017  |
| 14   | 1   | 1-1/2" QD Female Coupling                              | #400301  |
| 15   | 1   | 1-1/2" QD. Male Coupling                               | #400303  |
| 16   | 1   | 3/8" Safeway Female QD #S35-3                          | #421024  |
| 17   | 1   | 3/8" Safeway Male QD #S31-3                            | #421025  |
| 18   | 1   | APE 1-1/2" Dust Plug                                   | #400704  |
| 19   | 1   | APE 1-1/2" Dust Cap                                    | #400703  |
| 20   | 1   | 1" QD Male Coupling                                    | #421020  |
| 21   | 3   | Fitting #16 Male JIC Union                             | #421013  |
| 22   | 1   | Fitting #24 MJIC/ #24 M. Pipe                          | #421015  |
| 23   | 3   | 1" x 50' c/w #16 FJIC e/e<br>Hose (5000 psi rated)     | #        |

**Table 2-F. Hose Bundle**



# OPERATION / MAINTENANCE MANUAL

MODEL 200 VIBRATORY DRIVER WITH MODEL 595 POWER UNIT

7032 SOUTH 196th - KENT, WA. 98032 - (253) 872-0141 / FAX (253) 872-8710

## II. MAJOR COMPONENT DEFINITION (Continued...)

### II-7. Model 595 Power Unit Skid Identification

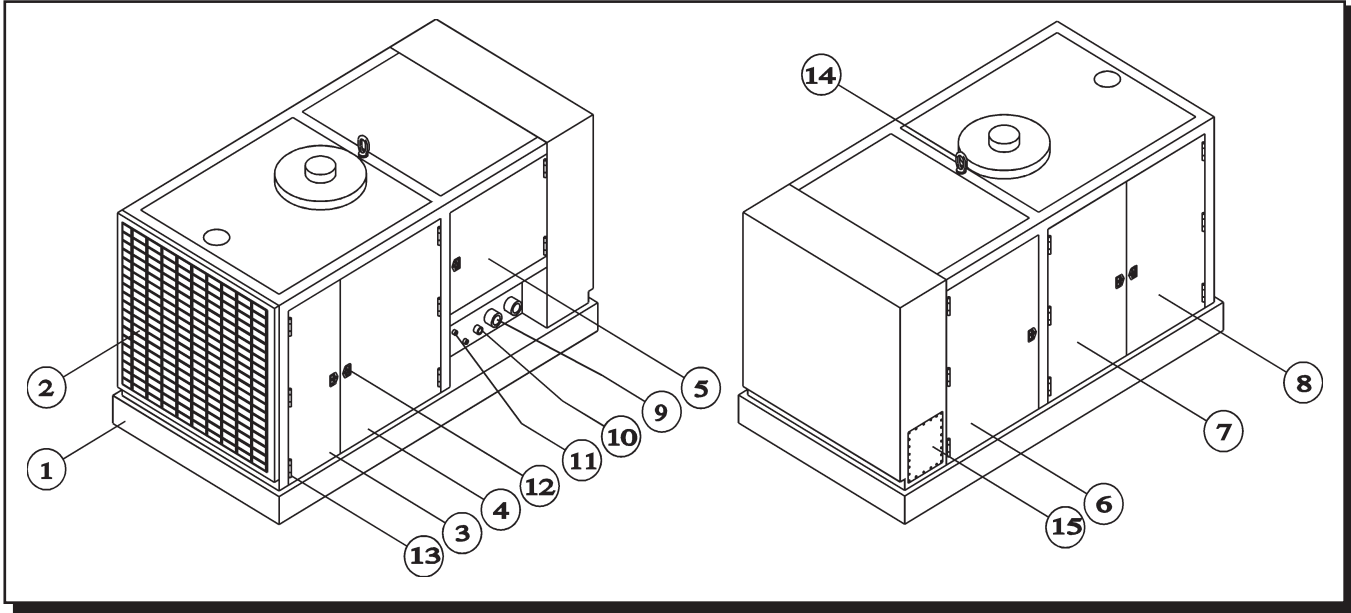


Figure 2-G. Power Unit Skid

| Item | Qty | Description  | Part No. |
|------|-----|--|----------|
| 1    | 1   | Model Power Unit Skid  |          |
| 2    | 1   | Radiator Grill   |          |
| 3    | 2   | Door 27 1/2" x 67 1/2"   |          |
| 4    | 2   | Door 23 5/8" x 67 1/2"   |          |
| 5    | 1   | Door 33 1/2" x 36"   |          |
| 6    | 1   | Door 33 1/2" x 67 1/2"   |          |
| 7    | 2   | Door 23 5/8" x 67 1/2"   |          |
| 8    | 1   | Door 27 1/2" x 67 1/2"   |          |
| 9A   | 1   | 2" Hyd. Quick Disconnect Female "REV"                                    | 441301   |
| 9B   | 1   | 2" Hyd. Quick Disconnect Male "FWD"                                      | 441302   |
| 10   | 1   | 1" Hyd. Quick Disconnect Female "Vibro Case Drain"                       |          |
| 11A  | 1   | 3/8" Hyd. Quick Disconnect "Female Clamp"                                | 421024   |
| 11B  | 1   | 3/8" Hyd. Quick Disconnect "Male Clamp"                                  | 421025   |
| 11C  | 1   | 3/8" Hyd. Quick Disconnect Male "Drill Shift"                            | 555155   |
| 12   | 5   | Dead Bolt Latch Allegis P/N 105ES SS 48<br>T- Handle-Allegis P/N 4874 SS |          |
| 13   | 17  | Hinges #FES 150 GF Weld On Hinge   |          |
| 14   | 1   | Lifting Eye Actex #46404-SP-APE-E=10"                                    |          |

Table 2-G. Power Unit Skid





# OPERATION / MAINTENANCE MANUAL

MODEL 200 VIBRATORY DRIVER WITH MODEL 595 POWER UNIT

7032 SOUTH 196th - KENT, WA. 98032 - (253) 872-0141 / FAX (253) 872-8710

## II. MAJOR COMPONENT DEFINITION (Continued...)

### II-8. 1-1/2" Quick Disconnect Coupling Identification.

The APE 1-1/2 Inch Quick Disconnect Couplings are high pressure hydraulic couplings designed for rugged applications. Service in many such applications has proven the design compatible to extreme pressures, structural and system induced shock loads. The construction of the coupling assembly promotes ease of use and maintenance.

#### Design Features:

- Excellent flow characteristics for continuous duty applications.
- High strength design endures high surge and shock conditions.
- Flat crested stub-ACME threads and all steel construction withstand storage and rig-up damage.
- Structurally compatible with weight of 5,000 P.S.I. flex-hose and system induced shock loads.

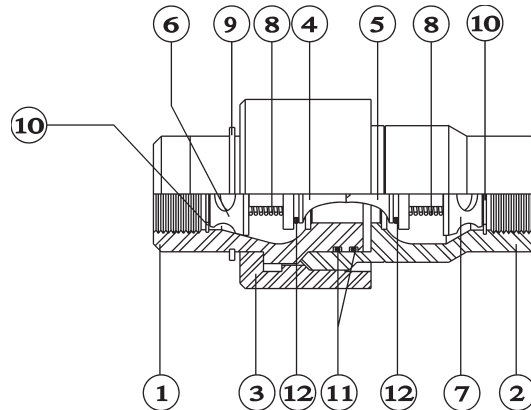


Figure 2-H. 1-1/2" Quick Disconnect Coupling

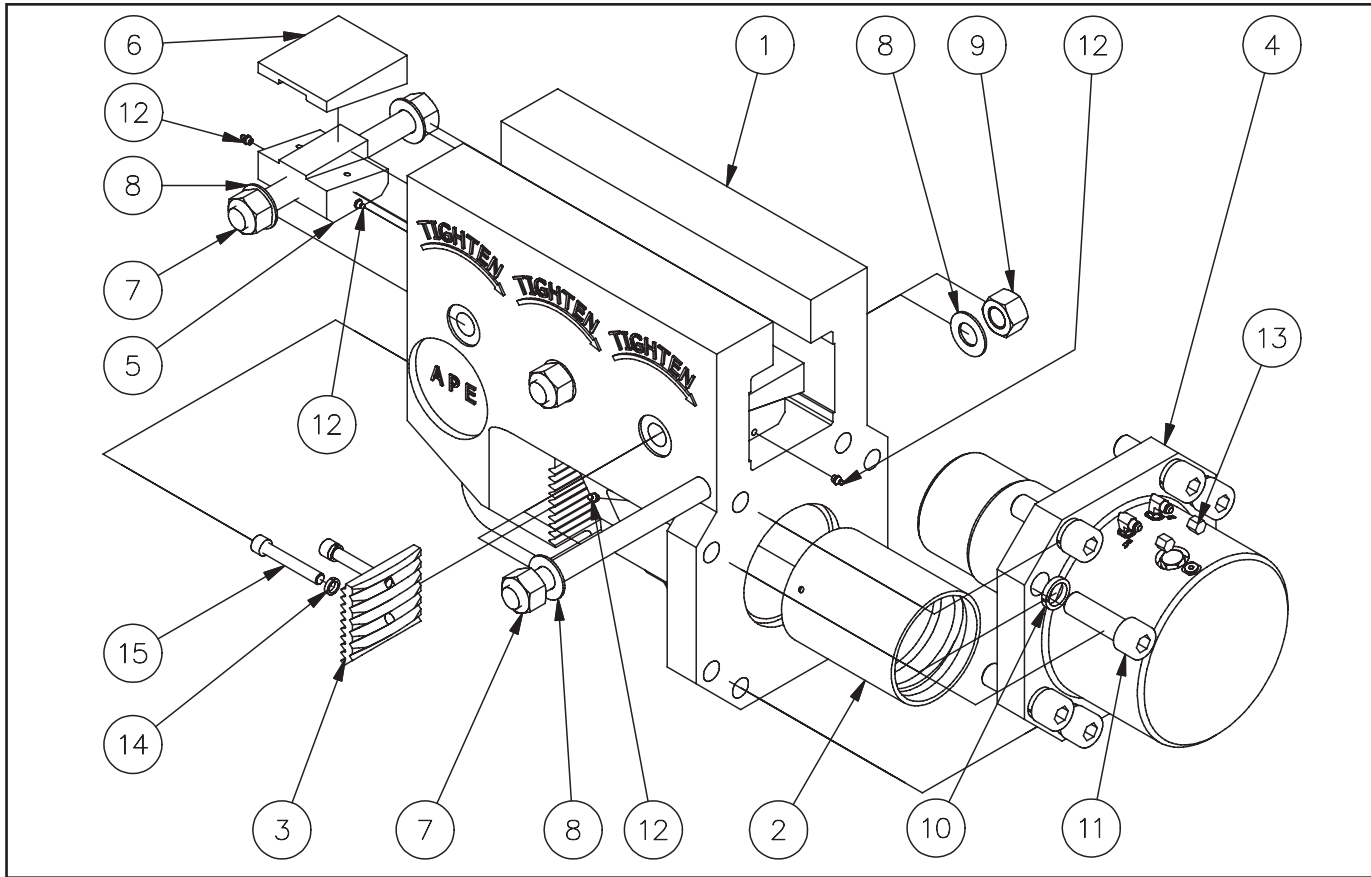
| Item | Qty | Description                        |            |
|------|-----|------------------------------------|------------|
| 1    | 1   | Hydraulic Female Coupling          | #400301    |
| 2    | 1   | Hydraulic Male Coupling            | 400303     |
| 3    | 1   | Hydraulic Female Sleeve            | #400302    |
| 4    | 1   | O-Ring Carrier "A"                 | #400202    |
| 5    | 1   | O-Ring Carrier "B"                 | #400201    |
| 6    | 1   | Plunger                            | #400101    |
| 7    | 1   | Plunger                            | #400101    |
| 8    | 1   | Poppet Valve / Plunger Spring      | #400701    |
| 9    | 1   | Retaining Ring "Truarc External"   | #1-275     |
| 10   | 2   | Retaining Ring - "Truarc Internal" | #N5000-168 |
| 11   | 2   | O-Ring #2-230 and Par Back         |            |
| 12   | 2   | O-Ring 2-216                       |            |

Table 2-H. 1-1/2" Quick Disconnect Coupling

|                                 |   |
|---------------------------------|---|
| Quick Disconnect Assem.         | # |
| Dust Plug                       | # |
| Dust Cap                        | # |
| Complete Seal Kit               | # |
| Rebuild Kit (Includes Seal Kit) | # |

### II. MAJOR COMPONENT DEFINITION (Continued...)

#### II-9. 200 Caisson Clamp Identification.

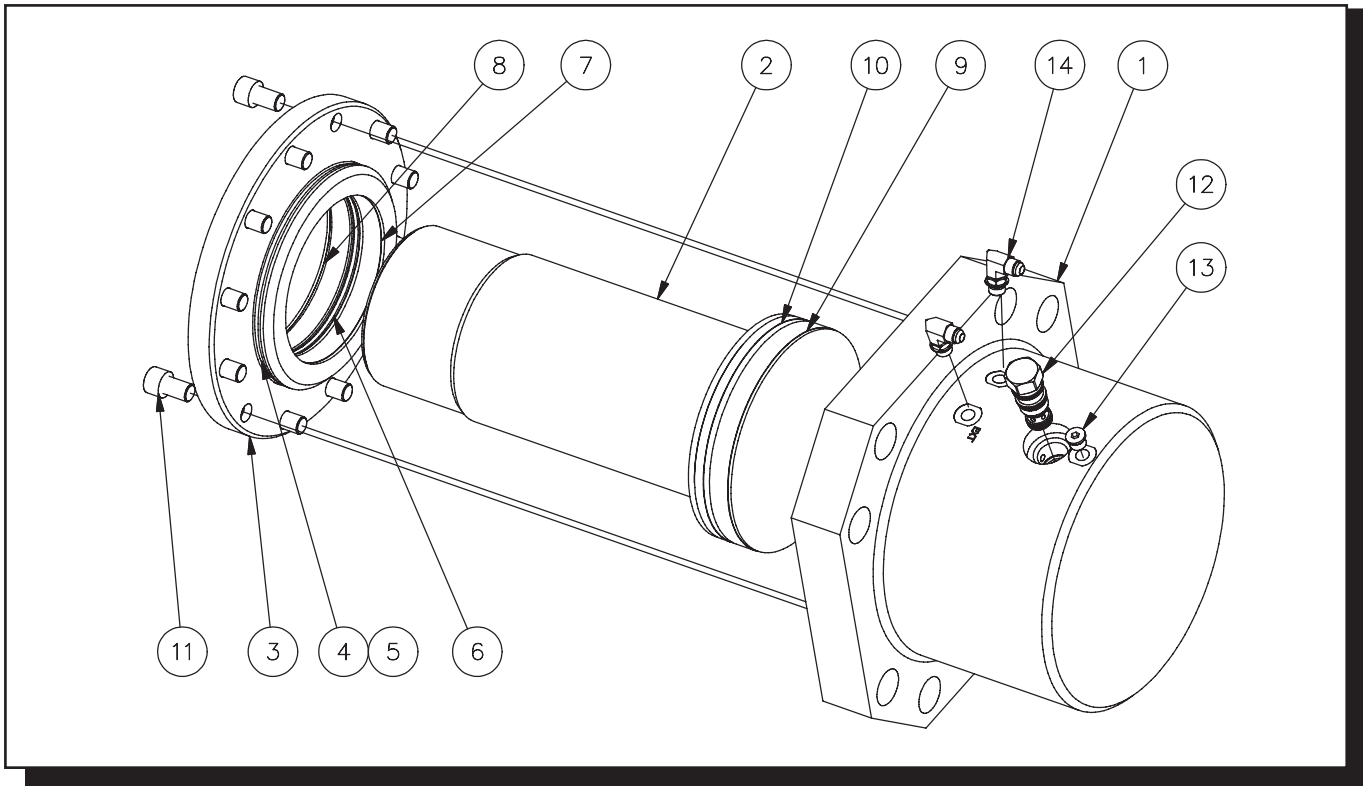


**Figure 2-I. 200 Caisson Clamp Assembly**

| Item | Qty | Description                    | Part #   |
|------|-----|--------------------------------|----------|
| 1    | 1   | Caisson Clamp Body             | #250101  |
| 2    | 1   | Plastic Sleeve                 | #250224  |
| 3    | 1   | Fixed Jaw                      | #250202H |
| 4    | 1   | Clamp Cylinder Asm             | #251001  |
| 5    | 3   | Male Wedge Half (Bronze)       | #243102  |
| 6    | 3   | Female Wedge Half (Steel)      | #243105  |
| 7    | 3   | ACME Wedge Bolt                | #124211A |
| 8    | 6   | Wedge Washer                   | #124219  |
| 9    | 3   | ACME Wedge Nut                 | #124122  |
| 10   | 8   | 1-1/4" High Collar Lock Washer | #124205  |
| 11   | 8   | Bolt - SHCS 1-1/4" NF x 4.00   | #124204  |
| 12   | 7   | Grease Zerk                    | #221001  |
| 13   | 2   | #6 JIC Cap BRE304C6            | #100057  |
| 14   | 2   | Lock Washer 5/8" High Collar   | #124115  |
| 15   | 2   | Bolt - SHCS 5/8" x 4"          | #124214  |

### II. MAJOR COMPONENT DEFINITION (Continued...)

#### II-10. 200 Caisson Clamp Cylinder Identification.



**Figure 2-J. 200 Caisson Clamp Cylinder Assembly #250001**

| Item | Qty | Description                           | Part #   |
|------|-----|---------------------------------------|----------|
| 1    | 1   | Clamp Cylinder Bucket                 | #1001409 |
| 2    | 1   | Piston Rod                            | #250003  |
| 3    | 1   | Cylinder Gland                        | #222004  |
| 4    | 1   | *O-Ring 2-367                         |          |
| 5    | 1   | *8-367 Par Bak                        |          |
| 6    | 1   | *Rod Seal                             |          |
| 7    | 1   | *Rod Wear Band                        |          |
| 8    | 1   | *Rod Wiper                            |          |
| 9    | 1   | *Piston Wear Band                     |          |
| 10   | 1   | *Piston Ring and Expander Bolt        |          |
| 11   | 12  | SHCS 0.625-18UNF X 1.00               | #1003804 |
| 12   | 1   | P O Check Valve CKEB-XCN              | #222016  |
| 13   | 1   | #6 SAE Allen Plug                     | #1003959 |
| 14   | 2   | #6 M O-Ring - #6 M JIC 90 deg Fitting | #130057  |

\*Included in Seal Kit-8" Clamp Cylinder #1003614

**Table 2-J. 200 Caisson Clamp Cylinder Assembly**

### II. MAJOR COMPONENT DEFINITION (Continued...)

#### II-11. Control Panel.

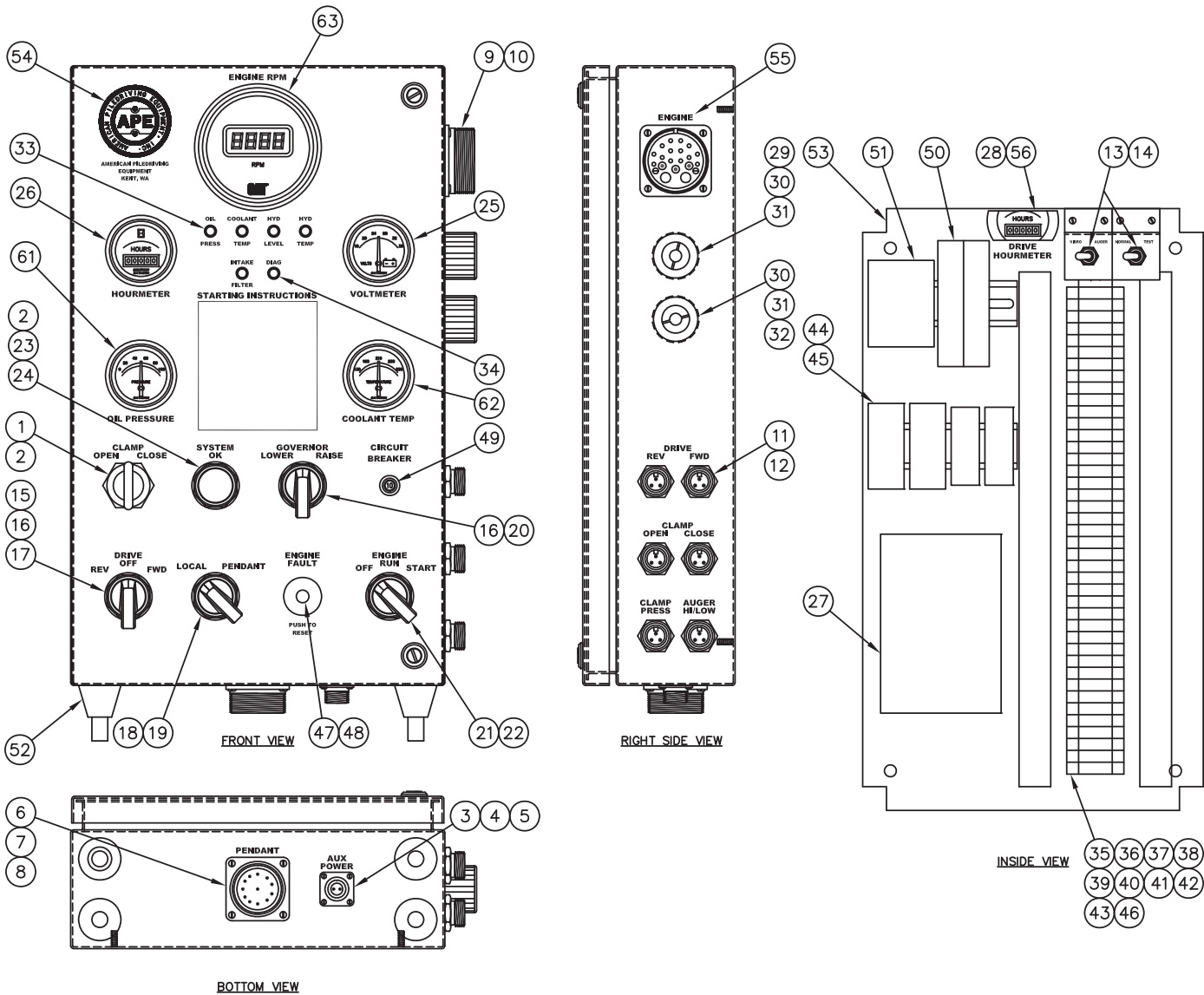


Figure 2-K. Control Panel Assembly

Items not shown: 57, 58, 59, 60



# OPERATION / MAINTENANCE MANUAL

MODEL 200 VIBRATORY DRIVER WITH MODEL 595 POWER UNIT

7032 SOUTH 196th - KENT, WA. 98032 - (253) 872-0141 / FAX (253) 872-8710

## II. MAJOR COMPONENT DEFINITION (Continued...)

### II-11. Control Panel.

| ITEM | DESCRIPTION                | QTY | PART BREAKDOWN                       | MFG.          | MFG. PART #     |
|------|----------------------------|-----|--------------------------------------|---------------|-----------------|
| 1    | Lighted Clmp. Open/Cl. Sw. | 1   | Illuminated 3-Pos. Spr. Ret. from L  | Brad Harrison | 800T-24JG4KB7AX |
| 2    | Green L.E.D.               | 2   | Green L.E.D.                         | Brad Harrison | LSTD-2G         |
| 3    | Auxiliary Pwr. Receptacle  | 1   | PM 2-socket Aux. Receptacle          | Amphenol      | MS3102A-12S-3-S |
| 4    |                            | 1   | PM Aux Receptacle Gasket             | Amphenol      | 10-40450-12     |
| 5    |                            | 1   | PM Aux Receptacle Cover              | Amphenol      | MS25043-12D     |
| 6    | Pendant Receptacle         | 1   | PM 15 Socket Pendant Receptacle      | Amphenol      | MS3102A28-17S   |
| 7    |                            | 1   | PM Pen Receptacle Gasket             | Amphenol      | 10-40450-28     |
| 8    |                            | 1   | PM Pen Receptacle Cover              | Amphenol      | MS25043-28D     |
| 9    | Engine Receptacle          | 1   | PM 23-Pin Engine Receptacle Amphenol | Amphenol      | MS3102A32-6P    |
| 10   |                            | 1   | PM Engine Receptacle Gasket          | Amphenol      | 10-40450-32     |
| 11   | PM S.O. Cord Hookups       | 6   | Side PM Male Receptacle              | Brad Harrison | 1R3006A24A120   |
| 12   |                            | 6   | 1/2" Lock Nut                        | Regal         | 801             |
| 13   | Vibro / Auger - Test       | 2   | Toggle Switch 2 position             | CPI           | 10011           |
| 14   | Switch Bracket             | 2   | SS Small Z Bracket                   | CPI           | 18200           |
| 15   | Drive Rev/Fwd Switch       | 1   | 3-Position Operator (Maint.)         | C-H           | 10250T3023      |
| 16   |                            | 2   | Contact Block, 2 N.O.                | C-H           | 10250T2         |
| 17   |                            | 1   | Contact Block, 2 N.C.                | C-H           | 10250T3         |
| 18   | Local/Pendant Switch       | 1   | 2-Position Operator (Maint.)         | C-H           | 10250T3011      |
| 19   |                            | 2   | Contact Block, 2 N.O. / 2 N.C. C-H   | C-H           | 10250T44        |
| 20   | Governor Lower/Raise Sw.   | 1   | 3-Position Operator (Mom.)           | C-H           | 10250T3043      |
| 21   | Engine Control Switch      | 1   | 3-Position Operator (Maint/Mom)      | C-H           | 10250T3053      |
| 22   |                            | 1   | Contact Block                        | C-H           | 10250T1         |
| 23   | Lampholder                 | 1   | System O.K. Lampholder               | C-H           | 10250T206N      |
| 24   | Green Lens                 | 1   | Green Lens                           | C-H           | 10250TC2N       |
| 25   | Volt Meter Gauge           | 1   | Volt Meter Gauge                     | Datcon        | 100165          |
| 26   | HourMeter Gauge            | 1   | HourMeter Gauge                      | Datcon        | 100223          |
| 27   | Speed Switch               | 1   | Speed Switch                         | ECU           | ECU-SS40        |
| 28   | Drive Hour Meter Bracket   | 1   | Drive Hour Meter Bracket             | Hobbs         | 23944           |
| 29   | Cord Connector             | 1   | 3/4"-3/8"-1/2" Cord Connector        | Hubbell       | SHC1035CR       |
| 30   |                            | 2   | 3/4" Lock Nut                        | Regal         | 802             |
| 31   |                            | 2   | 3/4" Rubber Gasket                   | T&B           | 5303            |
| 32   | Cord Connector             | 1   | 3/4" Cord Connector                  | Hubbell       | SHC1036CR       |
| 33   | Panel Alarm Lights         | 5   | Red L.E.D.                           | Idec          | AP8M222-R       |
| 34   | Diagnosis                  | 1   | Amber L.E.D.                         | Idec          | AP8M222-A       |
| 35   | Panel Terminal Blocks      | 41  | Terminal Block                       | Idec          | BNH15MW         |
| 36   |                            | 4   | Terminal Block                       | Idec          | BNH30W          |
| 37   |                            | 1   | Terminal End Section                 | Idec          | BNE15W          |
| 38   |                            | 1   | Terminal End Section                 | Idec          | BNE30W          |
| 39   |                            | 4   | Terminal End Clamp                   | Idec          | BNL5            |
| 40   |                            | 1   | Strip Clear Terminal Block Cover     | Idec          | BNC230PN10      |
| 41   |                            | 2   | Metal Jumper                         | Idec          | BNJ26FW         |
| 42   |                            | 1   | Terminal Block Number Strip          | Idec          | BNM7PN10        |
| 43   |                            | 1   | Number Strip Holder                  | Idec          | BNM3            |

Table 2-K. Control Panel Assembly



# OPERATION / MAINTENANCE MANUAL

MODEL 200 VIBRATORY DRIVER WITH MODEL 595 POWER UNIT

7032 SOUTH 196th - KENT, WA. 98032 - (253) 872-0141 / FAX (253) 872-8710

## II. MAJOR COMPONENT DEFINITION (Continued...)

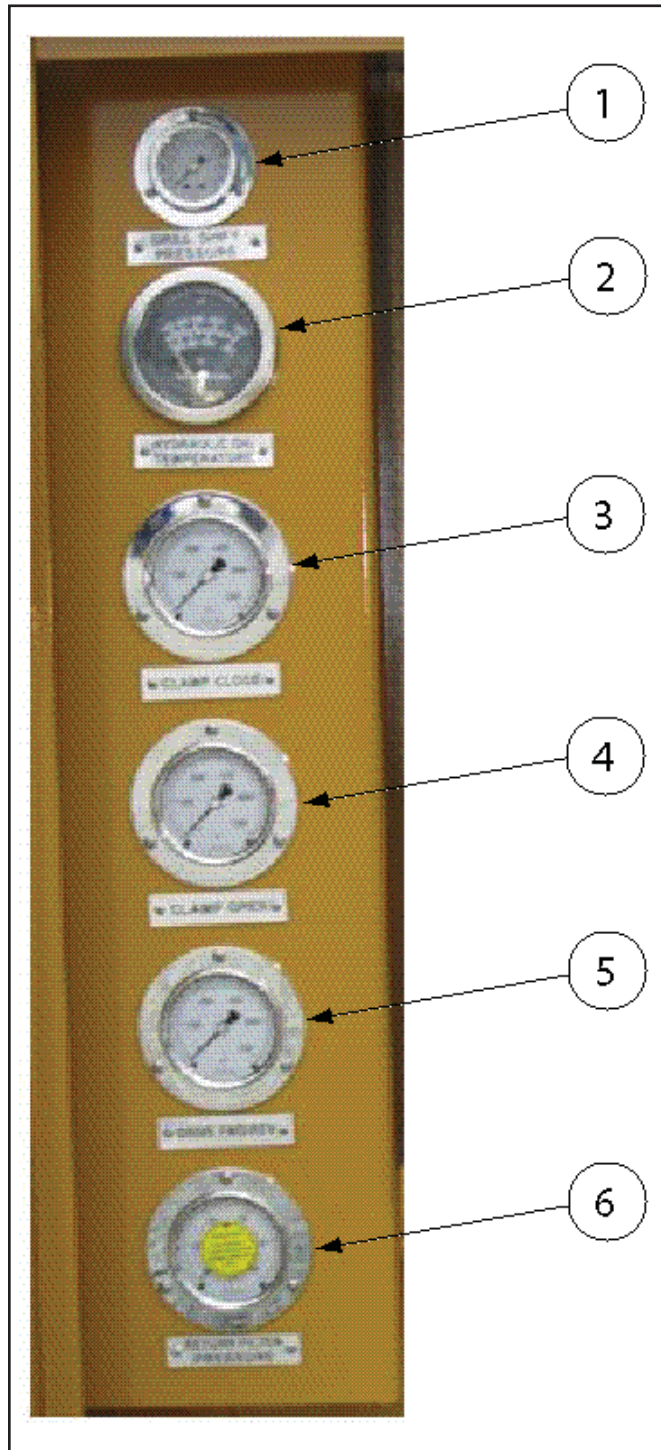
### II-11. Control Panel (Continued...)

| ITEM | DESCRIPTION                | QTY | PART BREAKDOWN             | MFG.          | MFG. PART #    |
|------|----------------------------|-----|----------------------------|---------------|----------------|
| 44   | 2 Pole Relay               | 2   | Lighted Relay, DPDT        | Idec          | RH2BUL-24VDC   |
| 45   |                            | 2   | Relay Base, 2 Pole         | Idec          | SH2B-05C       |
| 46   | Diode                      | 15  | Diode, 6 Amp               | Idec          | 60S6           |
| 47   | Engine Fault Switch        | 1   | Magnetic Switch            | Murphy        | 117PH          |
| 48   | Dust Cover                 | 1   | Clear Dust Cover           | Murphy        | 250547         |
| 49   | 10 Amp Circuit Breaker     | 1   | Circuit Breaker, 10 Amp    | P&B           | W58-XC4C12A-10 |
| 50   | 16 Amp Circuit Breaker     | 1   | Circuit Breaker, 16 Amp    | P&B           | 5SX2116-8      |
| 51   | Tachometer Transducer      | 1   | Tachometer Transducer      | Red Lion      | IFMA0035       |
| 52   | Rubber Stand Offs          | 4   | Shock Mount Legs (1/4")    | Vib. Elim.    | 40B            |
| 53   | SS Enclosure Back Pan      | 1   | SS Enclosure Back Pan      | Vulcan        | Stainless      |
| 54   | SS Door Silk Screen        | 1   | Door Silk Screen CPI       | 3700S116      |                |
| 55   | S.O. Cord Description      | 1   | Side Legend Plates         | CPI           | 3700SP40       |
| 56   | Drive Rev/Fwd Hourmeter    | 1   | Drive Hourmeter            | Hobbs         | 85094-12       |
| 57   | 4 M Yellow S.O. Cord       | 3   | 4 M Yellow S.O. Cord       | Brad Harrison | 103000A02F120  |
| 58   | 8 M Yellow S.O. Cord       | 2   | 8 M Yellow S.O. Cord       | Brad Harrison | 103000A02F250  |
| 59   | 6 M Double-Ended S.O. Cord | 1   | 6 M Double-Ended S.O. Cord | Brad Harrison | 113022A01F200  |
| 60   | Shock Mount Foot           | 2   | Shock Mount Foot           | Vib. Elim.    | T22-3          |
| 61   | Oil Pressure Gauge         | 1   | Oil Pressure Gauge         | Murphy        | 20P100         |
| 62   | Coolant Temperature Gauge  | 1   | Water Temperature Gauge    | Murphy        | 20T25010       |
| 63   | Engine RPM Gauge           | 1   | Engine RPM Gauge           | Caterpillar   | 197-7348       |

Table 2-K. Control Panel Assembly (Continued...)

## II. MAJOR COMPONENT DEFINITION (Continued...)

### II-11. Control Panel and Parts (Continued...)



| ITEM                  | APE P/N |
|-----------------------|---------|
| 1. DRILL SHIFT PRESS. | 555051  |
| 2. OIL TEMP. GAGE     | 523016  |
| 3. CLAMP CLOSE GAGE   | 513007  |
| 4. CLAMP OPEN GAGE    | 513007  |
| 5. DRIVE GAGE         | 513007  |
| 6. RET. FILTER PRESS. | 513007A |

Table 2-L. Control Panel-Gages.

Figure 2-L. Control Panel-Gages.

### II. MAJOR COMPONENT DEFINITION (Continued...)

#### II-12. Control Pendant.

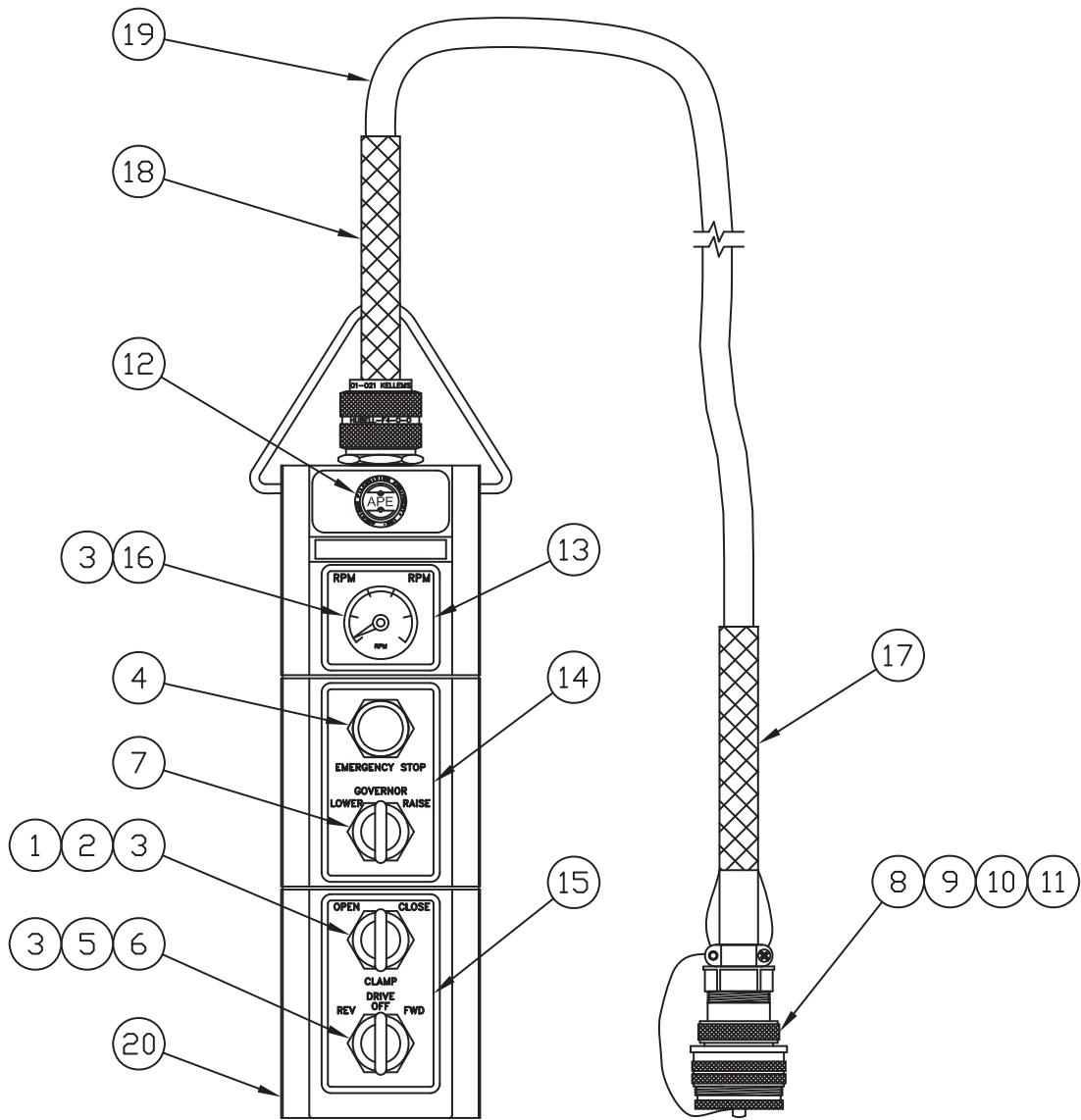


Figure 2-M. Control Pendant Assembly





# OPERATION / MAINTENANCE MANUAL

MODEL 200 VIBRATORY DRIVER WITH MODEL 595 POWER UNIT

7032 SOUTH 196th - KENT, WA. 98032 - (253) 872-0141 / FAX (253) 872-8710

## II. MAJOR COMPONENT DEFINITION (Continued...)

### II-12. Control Pendant.

| Item # | QTY. | DESCRIPTION                  | PART DESCRIPTION          | MFG.          | MFG. PART #     |
|--------|------|------------------------------|---------------------------|---------------|-----------------|
| 1      | 1    | Illum. 3 Pos. Spr Ret From L | Clamp Open/Close Sw.      | A-B           | 800T-24JG4KB7AX |
| 2      | 2    | Green L.E.D.                 | Green L.E.D.              | Brad Harrison | LSTD-2G         |
| 3      | 4    | Diode                        | Diode                     | I/R           | 60S6            |
| 4      | 1    | Flush Head Red PB 1 n.o.     | Emergency Stop PB         | A-B           | 800T-A6D1       |
| 5      | 1    | 3 Pos. Maintained Switch     | Drive Rev/Fwd Switch      | A-B           | 800T-J2KC1      |
| 6      | 1    | Contact Block 1N.O./N.C.     | Contact Block, 1N.O./N.C. | A-B           | 800T-XA         |
| 7      | 1    | 3 Pos. Spr. Ret. From Both   | Governor Lower/Raise Sw.  | A-B           | 800T-J91A       |
| 8      | 1    | Pendant 12 Pin Plug          | CM 12 Pin Plug            | Amphenol      | MS3106A28-18P   |
| 9      | 1    | Pendant Plug Clamp           | CM Pendant Plug Clamp     | Amphenol      | MS3057-16A      |
| 10     | 1    | Cable Rubber Insert          | Clamp Rubber Insert       | Amphenol      | MS3420-12       |
| 11     | 1    | Pendant Plug Cover           | CM Pen Plug Cover         | Amphenol      | MS25042-28D     |
| 12     | 1    | A.P.E                        | Pendant Decal             | CPI           | NP01            |
| 13     | 1    | Engine RPM                   | Pendant Decal             | CPI           | NP03            |
| 14     | 1    | E/Stop-Lower/Raise           | Pendant Decal             | CPI           | NP04            |
| 15     | 1    | Open/Close-Rev/Fwd           | Pendant Decal             | CPI           | NP05            |
| 16     | 1    | Analog Meter 0-2500 rpm      | RPM Gauge                 | Crompton      | 082-80R2-215256 |
| 17     | 1    | Kellems Cord Grip            | Deluxe Cord Grip          | Hubbell       | 073-10-003      |
| 18     | 1    | Deluxe Cord Grip             | Pendant Mount Cord Grip   | Hubbell       | 074-01-017      |
| 19     | 50   | 16 Awg 14 Con. Pend. Cbl.    | 16 Awg 14 Con. Pend. Cbl. | Perfaflex     | F19061614       |
| 20     | 1    | 4 Unit Pendant Box           | Pendant Station 4 Hole    | Square-D      | 9001-SKYP-4     |

**Table 2-M. Control Pendant Assembly**



# **OPERATION / MAINTENANCE MANUAL**

**MODEL 200 VIBRATORY DRIVER WITH MODEL 595 POWER UNIT**

**7032 SOUTH 196th - KENT, WA. 98032 - (253) 872-0141 / FAX (253) 872-8710**



# **OPERATION / MAINTENANCE MANUAL**

**MODEL 200 VIBRATORY DRIVER WITH MODEL 595 POWER UNIT**

**7032 SOUTH 196th - KENT, WA. 98032 - (253) 872-0141 / FAX (253) 872-8710**

## **III. LOADING AND UNLOADING**

### **III-1. Model 200 Vibratory Driver.**

The APE 200 vibrators are normally shipped in travel stands. Two sliding pins release the vibrator from the stand. To re-install, set vibro in stand and slide pins inward and rotate. Hoist vibro and stand by rigging to the vibro lifting shackle. Vibrators shipped without stands are usually laid flat on the trailer deck and the hose bundle is coiled on top. Lift the vibrator by rigging one line to the lifting shackle and one line around the clamp attachment lifting the vibro and hose bundle as one load. Avoid smashing hydraulic lines. Vibro should be loaded with hydraulic motors down facing the deck and breather valves facing the sky. Before the truck has left, carefully inspect the machine and hoses for any missing equipment or sign of damage that may have occurred during shipment or unloading.

### **III-2. Model 595 Power Unit.**

The Power Unit is always loaded with the oil cooler facing to the rear of the truck to prevent damage to the cooler and the radiator from flying objects. The Power Unit is usually held to the truck by wrapping a chain around both ends of the fuel tank base and the truck bed. After loading the Power Unit, tape the exhaust rain cap shut to prevent rain water from getting inside. If quick disconnects do not have safety cables then store them under the panel in the storage box rather than risk the possibility of the caps and plugs coming loose and falling off into traffic. Make sure all doors are fully closed. Tighten fuel vent on the fuel cap to prevent diesel fuel from washing out the fill spout.

### **III-3. What to do if damaged during shipment.**

In the event of damage, notify the trucking agent at once. Note all damage on the bill of lading. Fax the information as soon as possible, any delay may make it impossible to find the responsible party.



# **OPERATION / MAINTENANCE MANUAL**

**MODEL 200 VIBRATORY DRIVER WITH MODEL 595 POWER UNIT**

**7032 SOUTH 196th - KENT, WA. 98032 - (253) 872-0141 / FAX (253) 872-8710**



# **OPERATION / MAINTENANCE MANUAL**

MODEL 200 VIBRATORY DRIVER WITH MODEL 595 POWER UNIT

7032 SOUTH 196th - KENT, WA. 98032 - (253) 872-0141 / FAX (253) 872-8710

## **IV. PREPARATION AND OPERATION**

### **IV-1. Rigging of Vibratory Driver**

A steel wire rope sling must be connected to the lifting bail located on top of the vibro. The required strength of this sling depends on the capacity of the crane and the work to be carried out. A safety factor of six is recommended. Several turns of a smaller diameter cable will result in a longer lasting sling than one larger diameter cable. When making a sling, avoid using cheap cable clamps. Check the clamps daily.

The Vibro is fitted with a standard sheet clamp at the factory. However, several types of clamps are used on APE vibros to fit many different types of piles. A step by step procedure is provided as follows:

- 1.) Clean all drilled and tapped threads on the bottom surface of the gearbox. Use a 1-1/2"UNC tap to clean any rusted threads and blow out any remaining fragments with compressed air. If there is a cutting torch on the jobsite then use the oxygen setting to blast the threads clean. Hold a rag over the tapped hole to prevent flying dirt from blasting into your eyes.
- 2.) Clean the machined bottom surface of the gearbox and prepare to mount the clamp. If the clamp bolts should ever break, check the machined surface with a straight edge to make sure it is true and flat.
- 3.) Clean the machined surface of clamp. Eye-ball the entire surface for damage. Make sure the surface is flat and void of all dirt.
- 4.) Start by getting the center bolt in first and work outwards. Do not tighten bolts until you have all of the bolts started.
- 5.) Tighten bolts using a six-foot cheater pipe. If you do not have a cheater pipe then use a sledge hammer.
- 6.) Go around all bolts at least three times making sure they are tight.
- 7.) After vibrating the first pile, check the bolts again.
- 8.) If one bolt breaks, replace them all since they may be weak or cracked.
- 9.) Never operate the vibro with missing clamp bolts.

**WARNING:** Do not use grade five bolts. All bolts should be allen head cap screw bolts. If one bolt breaks then the others are damaged and must be replaced. Never drive piles if one bolt is broken. Bolts break only because they were not tight and the crew neglected to check them. A good operator insists that every bolt is checked twice daily.



# OPERATION / MAINTENANCE MANUAL

MODEL 200 VIBRATORY DRIVER WITH MODEL 595 POWER UNIT

7032 SOUTH 196th - KENT, WA. 98032 - (253) 872-0141 / FAX (253) 872-8710

## IV. PREPARATION AND OPERATION (Continued...)

### IV-2. Plumbing the Vibro Hoses to the Power Unit.

There are five hoses leading from the vibro that must be connected to the power unit to begin operation (Please see section II-5, "Hose Identification, page 2-5.) The hoses attach to the power unit by screwing the quick dis-connect couplers onto the proper couplers of the power unit. The couplers on the power unit are mated with the couplers on the vibro so there is no chance of putting them on backwards. Please take the following steps when installing the couplers:

#### **WARNING: TURN THE POWER UNIT OFF BEFORE INSTALLING COUPLERS**

- 1.) Turn the power unit OFF.
- 2.) Clean all couplers with a can of ether if available. A clean dry cloth will also work but will require extreme care. Fittings must be spotless clean.
- 3.) Install couplers by screwing them onto their respective counterparts. Try to avoid cross-threading and maintain a straight line. Jerk the hose back and forth while turning coupler to aid installation effort. **Push hard to get the big coupler threads started.**
- 4.) Make sure fittings are tight. If they are properly cleaned they should run up tight with just a firm hand grip. However, they should be double checked with a chain wrench.
- 5.) Avoid over-tightening.
- 6.) If near salt water, spray with a light oil to prevent oxidation.
- 7.) Position the Power Unit so that vibrator has enough hose to reach the work. Avoid pulling too hard on hoses.

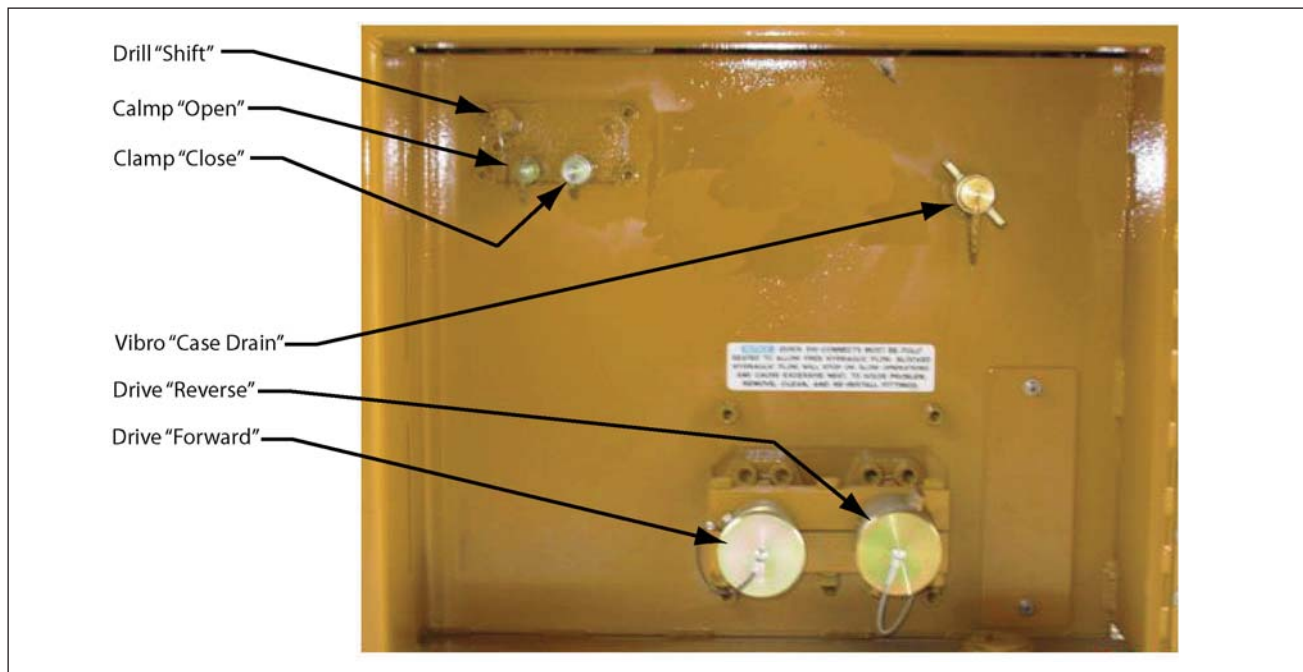


Figure 4-A. Power Unit Hose Plumbing

## IV. PREPARATION AND OPERATION (Continued...)

### IV-3. Filling Vibrator Pressure Hoses.

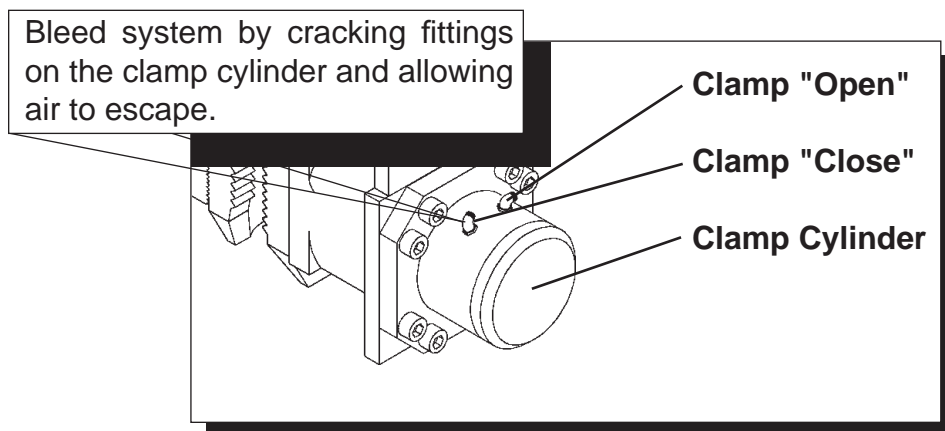
The vibrator is shipped with the hoses filled with oil. However, if the unit has been sitting for a long period of time or if a damaged hose has been replaced with a new one, then the hoses must be filled. Hook up all the hoses to the power unit (see Section IV-3 on [page 4-2] and Figure 4-A.). Start the power unit and let it run for ten minutes before running the vibro. The hoses will fill up by themselves in ten minutes even if the vibro is not in the vibrate mode.

### IV-4. Bleeding the Clamp Attachment Hydraulic Hoses.

If the opening and closing of the jaws seems spongy or slow, it may be a result of air in the clamp hoses. Normally there is no need to worry about bleeding the clamp lines because the unit is shipped fully tested. However, should the vibro sit for a long period of time, if a new attachment is being installed or if a damaged clamp hose has been replaced, then the system may require bleeding to remove unwanted air in the system. To bleed the clamp system, follow the following steps:

- 1.) Shut Power Unit OFF.
- 2.) Make sure the clamp line quick dis-connects are coupled to the power unit.
- 3.) Start the power unit engine and run at 1500 rpm. Give the engine time to warm up.
- 4.) Loosen the clamp lines at the hydraulic cylinder by backing the fittings off just a little.
- 5.) Turn the clamp switch on the power unit control pendant to "CLOSE" and wait for oil to flow from the fittings. WATCH FOR AIR BUBBLES. When air bubbles have stopped then quickly re-tighten the fittings.
- 6.) Repeat the same procedure for "OPEN" side.
- 7.) Operate the jaws. If they are still a bit spongy then repeat bleeding steps once more.

**WARNING: DO NOT BLEED SYSTEM AT FULL ENGINE THROTTLE BECAUSE TOO MUCH OIL WILL FLOW FROM THE HOSES AND COULD CAUSE INJURY.**



**Figure 4-B. Bleeding Clamp Attachment**



# **OPERATION / MAINTENANCE MANUAL**

MODEL 200 VIBRATORY DRIVER WITH MODEL 595 POWER UNIT

7032 SOUTH 196th - KENT, WA. 98032 - (253) 872-0141 / FAX (253) 872-8710

## **IV. PREPARATION AND OPERATION (Continued...)**

### **IV-5. Precautions and Rules for Operation.**

The following is a list of precautions, suggestions and rules that are intended to help promote the safe and productive use of the APE Model 200 Vibratory Driver.

- 1.) Follow the Daily Maintenance Required Prior to Operation, [Section V-1].
- 2.) Read and follow the Safety Precautions, [page iii].
- 3.) Follow the start-up procedures listed in the manual for the power unit being used.
- 4.) Start with piles in good condition.
- 5.) Put all teeth in pile.
- 6.) Drive in steps eight feet (2.5M) or less.
- 7.) Keep sheets plumb.
- 8.) Come up to speed before doing work.
- 9.) No dancing. Avoid densifying the soil.
- 10.) Drive past obstacles and then go back.
- 11.) Backhoe on site to remove obstacles.
- 12.) Lead with the ball.
- 13.) Probe the pile if it appears stuck.
- 14.) Keep piles plumb or down the road you go.
- 15.) Never rush the sheet pile foreman.
- 16.) Slow and plumb and the job will get done.
- 17.) Melted inner locks - piles out of plumb.
- 18.) Never stand under pile drivers.
- 19.) Low clamp pressure means jaw failures.
- 20.) Wait for vibro to get to full speed then pull.
- 21.) Don't over excavate - lower the ring.
- 22.) Look at the jaws during driving.
- 23.) Beware of cracked or broken sheets.
- 24.) In sandy soils drive faster. Vibration can cause settlement in loose, granular soils.
- 25.) In clay amplitude is everything.
- 26.) Low drive pressure means easy work.
- 27.) High pressure means friction on piles.
- 28.) Over 5000 psi means get a bigger vibro.
- 29.) No amplitude means get a bigger vibro.
- 30.) Caissons need heavy wall to avoid flex.
- 31.) Check clamp bolts each morning.
- 32.) Read the manual - know your machine.
- 33.) Attach whip line to pile when pulling.
- 34.) Know your line pull.
- 35.) Extract straight - look at boom and cable.
- 36.) Give boom stops some room.
- 37.) Stalled engine means dirty fuel filters.





# OPERATION / MAINTENANCE MANUAL

MODEL 200 VIBRATORY DRIVER WITH MODEL 595 POWER UNIT

7032 SOUTH 196th - KENT, WA. 98032 - (253) 872-0141 / FAX (253) 872-8710

## IV. PREPARATION AND OPERATION (Continued...)

### IV-6. Relief Valve Settings Prior to Operation - Model 595

The Relief Valve and Pressure Switches are set by the factory. They will need to be re-set if the pressure switch is replaced.

1. Do not hook up quick disconnects. Start and warm engine . Bring to full rpm.
2. Check Clamp relief valve setting. On the Control Panel, turn the clamp switch to "OPEN" and hold it there while you read the CLAMP OPEN GAUGE on the panel. It should read 4800 PSI. If it is not coming up to pressure, then set the relief valve (FACTORY AUTHORIZED PERSONNEL ONLY), by loosening the lock nut and turning the knob in slowly until the proper pressure is reached. Turn in (CW) to increase pressure, and out (CCW) to decrease pressure. Tighten the locknut and recheck the pressure to make sure that the setting did not move during tightening the lock nut. When the clamp switch is turned to "OPEN" and held, a small light on the solenoid is illuminated, showing that there is power to the solenoid. Otherwise, the light on the solenoid should be off.

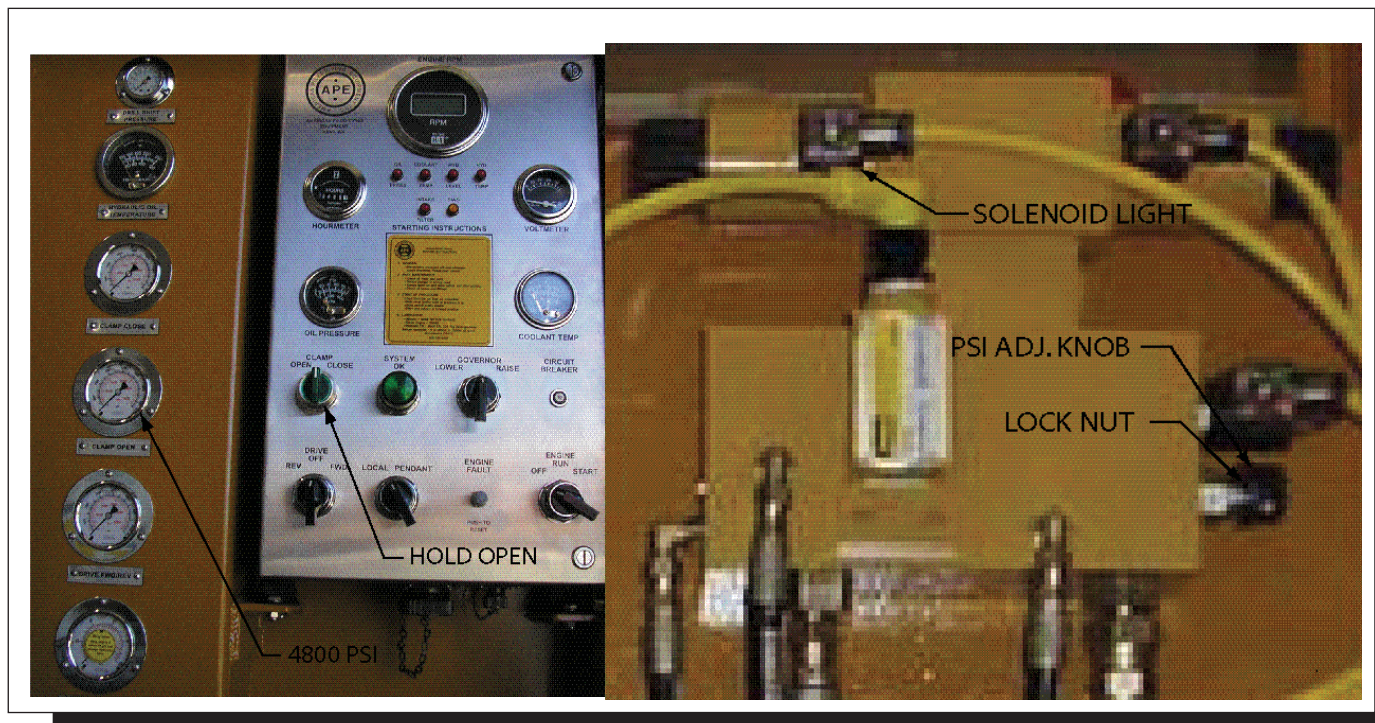
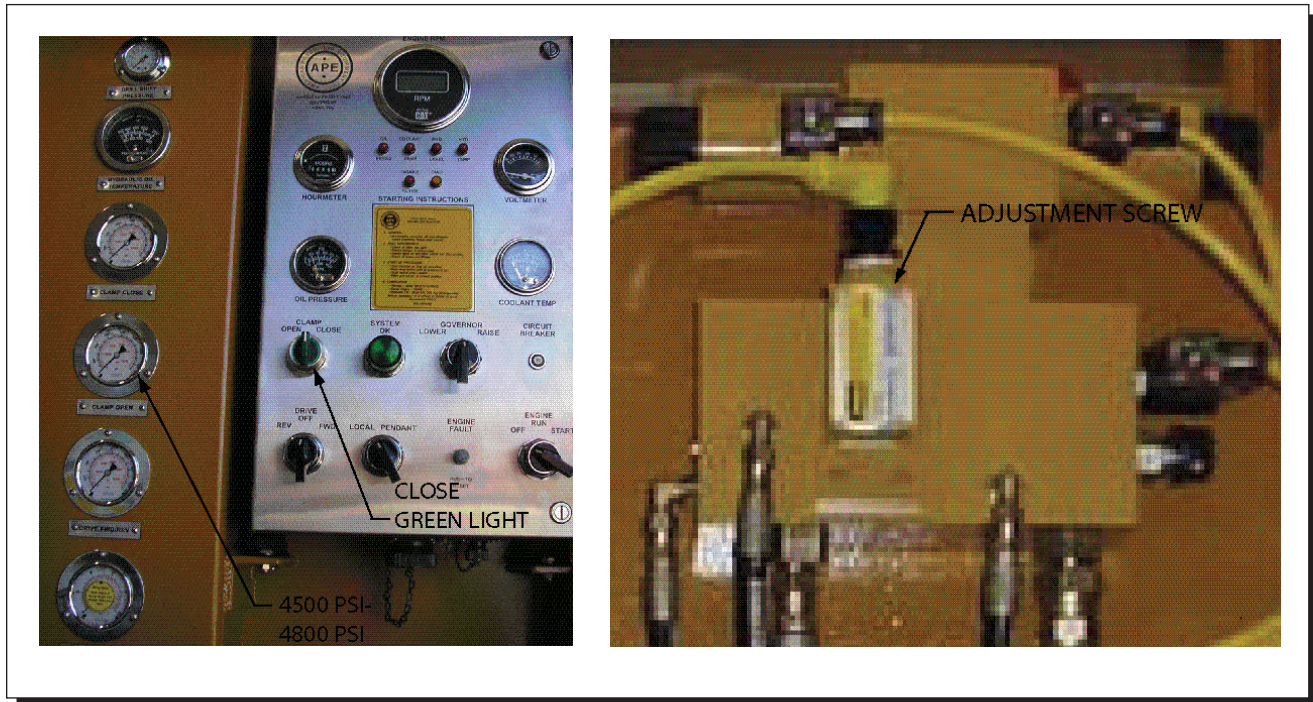


Figure 4-C. Setting Relief Valve

### IV. PREPARATION AND OPERATION (Continued...)

#### IV-6. Relief Valve Settings Prior to Operation - Model 595 (Continued...)

3. Check the clamp pressure switch setting. Turn the clamp to "CLOSE". If there is proper clamp pressure the CLAMP CLOSE GAUGE should read 4500 PSI to 4800 PSI, and the GREEN LIGHT comes on (see figure 4-D.)



**Figure 4-D. Checking Clamp Pressure Switch Setting**

4. Adjust the clamp pressure switch setting. (If necessary). To set the pressure switch, turn the adjustment screw out using a screwdriver. (Turn it out a few turns counter-clockwise.) Turn clamp switch to "OPEN" for a second. Make sure the CLAMP OPEN GAUGE reads 4800 PSI. If it does not, then go back to the Step 2 and set the clamp relief valve first.

With clamp relief set at 4800 PSI, turn the clamp switch to "CLOSE". Green light should be on and clamp pressure should be very low or not reading at all.

Turn Adjustment Screw in (CW) until the green light goes off. Then, turn adjustment screw out (CCW) until green light comes on. (About 1/4 to 1/2 turn.) The CLAMP CLOSE GAUGE should read 4000 to 4800 PSI.

To check, turn clamp switch to "OPEN". The green light should be on.

Repeat procedure if necessary.



# **OPERATION / MAINTENANCE MANUAL**

MODEL 200 VIBRATORY DRIVER WITH MODEL 595 POWER UNIT

7032 SOUTH 196th - KENT, WA. 98032 - (253) 872-0141 / FAX (253) 872-8710

## **IV. PREPARATION AND OPERATION (Continued...)**

### **IV-7. Shut-down Procedures.**

The following procedures explain what to do with the power unit to correctly shut down the APE Model 200 Vibratory Driver.

- 1.) Stop the vibrator. (Refer to the power unit operating manual .)
- 2.) Allow the diesel engine to run for five minutes at 1000 engine rpm.
- 3.) Reduce engine speed to low idle for about 60 seconds.
- 4.) Shut engine off by turning off the main power switch.

**WARNING: Do not shut the power unit engine down while the vibrator is clamped onto a pile. The clamp check valve will slowly bleed off if there is any leakage in the hose lines or worn clamp seals in the cylinder that moves the jaw open or closed.**



# OPERATION / MAINTENANCE MANUAL

MODEL 200 VIBRATORY DRIVER WITH MODEL 595 POWER UNIT

7032 SOUTH 196th - KENT, WA. 98032 - (253) 872-0141 / FAX (253) 872-8710

## IV. PREPARATION AND OPERATION (Continued...)

### IV-8. Operation of the Control Pendant.

1. All functions of the vibro can be controlled by the control pendant. It is the choice of the crew as to where best to locate the control pendant. Some prefer that the crane operator control all functions. Others prefer to give it to one of the ground crew so it can be positioned close to the work at hand. A 50 foot (15.2 M) cord is provided as standard equipment. If this is not long enough, additional 50 foot (15.2 M) sections can be added. Should the control pendant become damaged, all functions can be manually operated. See page 7-16 in this manual for more details on operation. See page 7-21 of this manual for wiring diagram and control pendant components.

### IV-10. Normal steps to operate vibrator:

(Note: In order to operate power unit, Drive must be "OFF").

1. Position vibro on pile.
2. Set power unit speed to full throttle (factory set 1950 RPM).
3. Turn Clamp to "CLOSE" the switch will stay in the "CLOSE" position and wait for light to come on.
4. Turn Drive to "FWD" to direct hydraulic oil to Vibro.
5. To drive piles, lower crane line as vibro vibrates pile.
6. To extract, pull up on vibro while vibrating.
7. See "Precautions and Rules for Operation" in this manual for more detailed operations on driving and extracting piles.
8. To stop the vibro turn Drive to "OFF".
10. To release clamp, turn clamp switch to "OPEN" clamp light will turn off. Once the jaws are open release the switch.

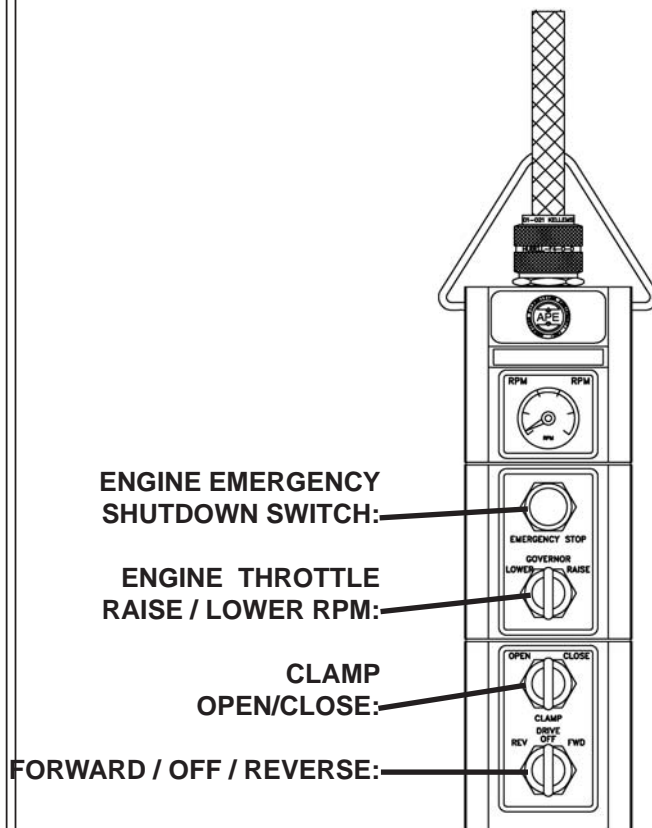


Figure 4-E. Control Pendant



# **OPERATION / MAINTENANCE MANUAL**

MODEL 200 VIBRATORY DRIVER WITH MODEL 595 POWER UNIT

7032 SOUTH 196th - KENT, WA. 98032 - (253) 872-0141 / FAX (253) 872-8710

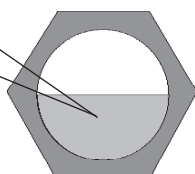
## **V. MAINTENANCE**

### **V-1. Daily Maintenance Required Prior to Operation.**

- 1.) Visually inspect the entire vibro for loose nuts or bolts. Put a wrench on the clamp bolts and check them for tightness.
- 2.) Grease the Jaw Plunger on the clamp housing.
- 3.) Check the oil level in the vibrator. Hang vibro from crane and look at sight gauge. Make sure the oil is half way up gauge. If you cannot read it then you can't run the vibro. Remove the gauge and clean it by spraying a shot of starting fluid at it. **YOU MUST KNOW THE LEVEL!**

**IF THE OIL LOOKS BLACK OR MILKY THEN DRAIN THE GEAR CASE AND ADD NEW OIL.**

*If you cannot read it then do not assume the level is ok.*



**Sight Gauge**

**Oil Level  
Scheaffer 268  
or equivalent.  
(do not use veg. oil)**

- 4.) If the oil is milky or black then change it. **Change the oil every 150 hours regardless.**
- 5.) Check the fluid level in the power unit hydraulic tank.
- 6.) Look at all the hoses. Check for cuts or other damage that might cause an oil leak.
- 7.) Check the Elastomers (rubbers) in the suppressor housing. Look for cracks.
- 8) **Check the following items:**

|                                      |   |
|--------------------------------------|---|
| <b>Check water level in radiator</b> | <b>Check engine oil</b>                         |
| <b>Check battery water level</b>     | <b>Check hydraulic return filter indicator</b>  |
| <b>Check fuel level</b>              | <b>Check fan belts on engine</b>                |
| <b>Check oil level in pump drive</b> | <b>Check entire unit for hydraulic leaks</b>    |
| <b>Check hydraulic oil level</b>     | <b>Check condition of jaws before operating</b> |

### **V-2. Checklist After Power Unit Engine Has Started**

- 1.) Check all hydraulic hoses for leaks. Make sure they hang free with no kinks.
- 2.) Check inside the Power Unit. Look at all hoses and valves, check for leaks.
- 3.) Check return filter gage at control panel with engine running at full rpm and hydraulic oil temperature above 80 degrees F. Replace filter when pressure is above 50 psi.
- 4.) Check wire rope sling and make sure it is in excellent condition.
- 5.) Check jaws for wear. Replace if necessary.
- 6.) Close jaws, make sure clamp light comes on.



# **OPERATION / MAINTENANCE MANUAL**

MODEL 200 VIBRATORY DRIVER WITH MODEL 595 POWER UNIT

7032 SOUTH 196th - KENT, WA. 98032 - (253) 872-0141 / FAX (253) 872-8710

## **V. MAINTENANCE (Continued...)**

### **V-3. Maintenance and Adjustments. (75 Hours)**

Change the oil in vibrator gearbox. Remove the drain plug from bottom of gearbox and drain the oil into a bucket. Check oil for any metal shavings. Replace oil in gearbox by adding 20.6 gallons of standard weight oil. Schaeffer 268.

Clean the gearbox breathers each time the oil is changed. Replace the breathers if necessary.

### **V-4. Maintenance and Adjustments. (Eccentric Bearings)**

- 1.) **Model 200** - The Eccentric Bearings should be checked and/or replaced after every 2500 hours of operation.

### **V-5. Maintenance and Adjustments in Severe Conditions.**

When average temperature is above (80 deg. F) or below (-1 deg. F) reduce servicing intervals to one half of those specified above.

When operating in the presence of dust or sand, reduce servicing intervals to one-third of those specified.

During stand-by or inactive periods, the servicing intervals may be reduced to one-half. The unit should be run every 30 days or less to keep internal parts lubricated.

### **V-6A. Lubrication - Vibratory Gearbox.**

The Gearbox oil should be changed when black or milky. Schaeffer 268 or equal is the preferred oil. The gearbox requires 6.7 gallons of oil.

### **V-6B. Lubrication - Clamp Attachment.**

The Clamp Attachment hydraulic oil must be checked and changed on a regular basis. The Clamp Cylinder Plunger should be checked for rust and debris. Lubricate the plunger on a regular basis using the grease zert on the side of the clamp housing .



# OPERATION / MAINTENANCE MANUAL

MODEL 200 VIBRATORY DRIVER WITH MODEL 595 POWER UNIT

7032 SOUTH 196th - KENT, WA. 98032 - (253) 872-0141 / FAX (253) 872-8710

## V. MAINTENANCE (Continued...)

### V-7A. Power Unit - Filters, Fluid Types and Capacities.

# FILTERS

| <u>LOCATION</u>      | <u>QTY</u> | <u>ENGINE</u>    | <u>FILTER TYPE</u>    | <u>APE P/N</u> |
|----------------------|------------|------------------|-----------------------|----------------|
| Engine Oil:          | 1          | Caterpillar C-15 | Caterpillar #1R-1808  | 521033         |
| Engine Fuel:         | 1          | Caterpillar C-15 | Caterpillar #1R-0749  | 521026         |
| Eng. Fuel Water Sep: | 1          | Caterpillar C-15 | Caterpillar #1R-0771  | 555131         |
| Air Filter Outer     | 1          | Caterpillar C-15 | Caterpillar #106-3969 | 521029A        |
| Air Filter Inner     | 1          | Caterpillar C-15 | Caterpillar #106-3973 | 521029B        |
| Hyd. Oil Filter:     | 2          |                  | Zinga #ZLE-10         | 555009         |
| Hand Pump Filter:    | 1          |                  | Zinga #AE-25          | 533011         |

Table 5-A. Power Unit Filters

# ENGINE OIL TYPES AND CAPACITIES

| <u>LOCATION</u>     | <u>ENGINE</u>    | <u>OIL TYPE</u>             | <u>CAPACITY</u> |
|---------------------|------------------|-----------------------------|-----------------|
| Hydraulic Oil-Main: | -----            | Terresolve Envirollogic 146 | 475 gallons     |
| Hyd Oil-Reserve:    | -----            | Terresolve Envirollogic 146 | 60 gallons      |
| Engine Oil:         | Caterpillar C-15 | SAE 15W40 CH-4              | 40 quarts       |
| Engine Water:       |                  | See note below              | 26 gallons      |
| Fan Drive:          | -----            | Multi-Purpose Grease        |                 |
| Pump Drive:         | -----            | 90W or Syn. Mobil SHC 629   | 2 gallons       |
| Fuel Tank :         | -----            | Diesel                      | 165 gallons     |

Table 5-B. Power Unit Oil Types and Capacities

Caterpillar Extended Life Anti-freeze p/n 119-5150 mix with water 50/50.  
 Caterpillar Extended Life Anti-freeze p/n 101-2844 premixed.  
 See page 5-7 for details on lubrication of the pump drive.



# **OPERATION / MAINTENANCE MANUAL**

MODEL 200 VIBRATORY DRIVER WITH MODEL 595 POWER UNIT

7032 SOUTH 196th - KENT, WA. 98032 - (253) 872-0141 / FAX (253) 872-8710

## **V. MAINTENANCE (Continued...)**

### **V7-B. Power Unit - Hydraulic Fluid**

When adding or changing hydraulic fluid APE uses only Terresolve Invirological 146 Hydraulic fluid which is non-toxic and will not harm soil or water and is biodegradable. Consult your local oil supplier for recommendations on mixing hydraulic oils. Change hydraulic oil if it looks milky. This includes all hydraulic lines leading to and from the vibro. Milky oil indicates that water is in the oil.

### **V7-C. Power Unit - Two Part Hydraulic Fluid Tank**

The Hydraulic Tank is a two part tank. The main tank which the pumps feed from, cooled and filtered oil returns. The upper tank is an auxiliary tank to store extra or surplus hydraulic oil. Hydraulic oil may be transferred from the auxiliary tank to the main tank. There is a valve on the bottom of the main hydraulic tank that should be opened into a bucket periodically before the engine is started. Water that may get into the system will settle to the bottom of the hydraulic tank, opening this valve will allow that water to be removed from the system.

### **V7-D. Power Unit - Draining and Filling Hydraulic Fluid Tank**

1. Remove cap and open drain valve located on bottom of main hydraulic tank.
2. Refill using hand pump and filter.
3. Prime both the clamp and the main pump before restarting.
4. Take extreme caution that no dirt or other unwanted particles enters the system.





# **OPERATION / MAINTENANCE MANUAL**

MODEL 200 VIBRATORY DRIVER WITH MODEL 595 POWER UNIT

7032 SOUTH 196th - KENT, WA. 98032 - (253) 872-0141 / FAX (253) 872-8710

## **V. MAINTENANCE (Continued...)**

### **V-7E. Power Unit - Changing Hydraulic Return Filter Element**

The hydraulic return filters are mounted to dual head adapters on the hydraulic tank inside the power unit. They are mounted high on the tank so that when the filter elements are removed the oil will not drain from the hydraulic tank. The filter adapter has a gage at the control panel to tell to tell you when it is dirty. When the hydraulic oil is above 80 degrees F and the return filter gauge reads 50 PSI it is time to change the filters.

### **V-7F. Power Unit - Steps to Remove the Hydraulic Filter Elements**

1. Shut down power unit by turning off the diesel engine.
2. Place warning tag on control panel so that no one mistakenly starts the unit while filters are being changed.
3. Clean area around filters so that when they are removed there is no chance of introducing dirt into the hydraulic system.
4. Using a filter wrench, turn the filter counter clockwise and spin the filter off of the filter housing.
5. Install new clean filter making sure the o-ring is in place.
6. Always change all four filters at the same time.



# **OPERATION / MAINTENANCE MANUAL**

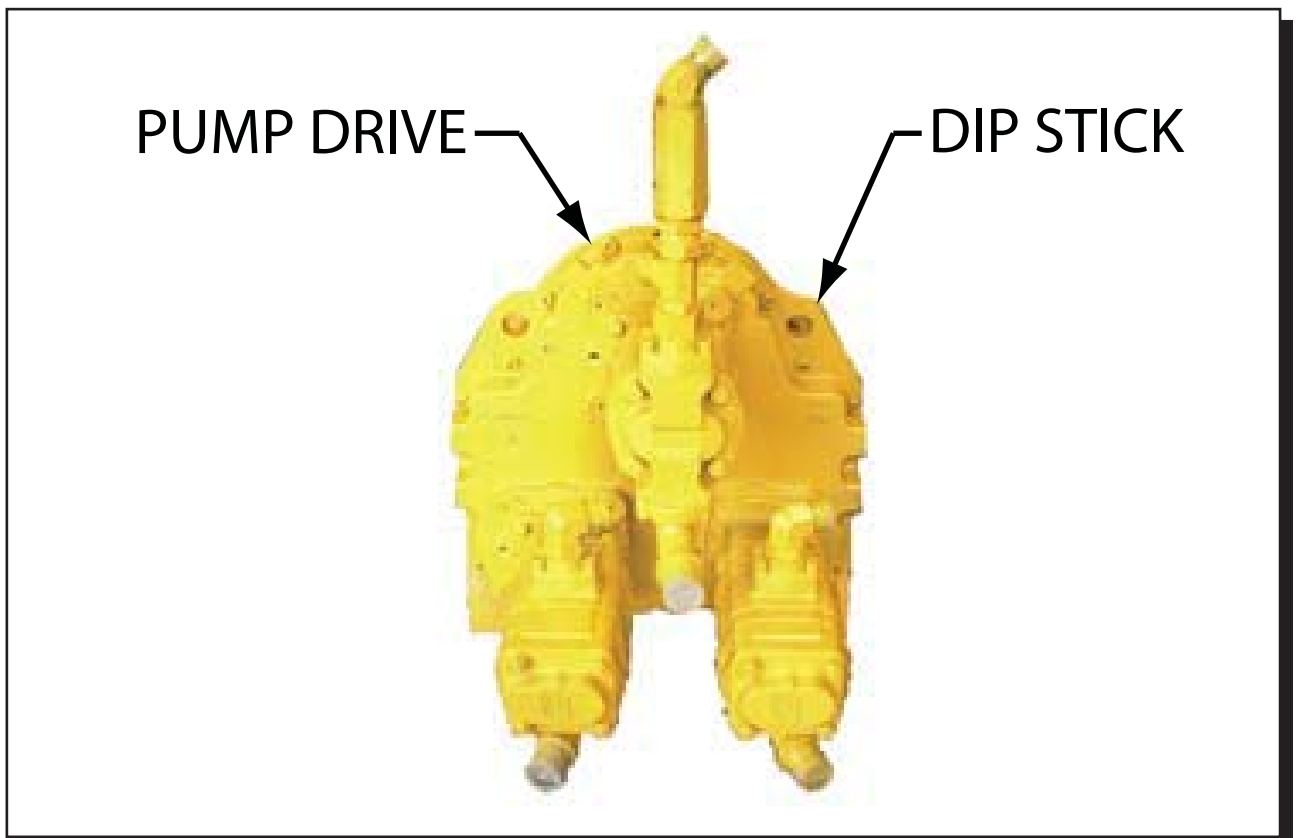
**MODEL 200 VIBRATORY DRIVER WITH MODEL 595 POWER UNIT**

**7032 SOUTH 196th - KENT, WA. 98032 - (253) 872-0141 / FAX (253) 872-8710**

### V. MAINTENANCE (Continued...)

#### V-8. Power Unit - Pump Drive

## **PUMP DRIVE LUBRICATION for APE Model 595 Power Unit**



**Figure 5-A. Pump Drive - Durst PD802F**

The pump drive used on the APE 595 power unit is a gear box that requires lubrication. The main gearbox takes about 2 gallons of oil. Check the level using the dip stick.

Oil changes are suggested every six months or 2,000 hours, which ever occurs first.

Fill with Schaeffer 268. Before operating the unit, check the oil level dip stick.



# **OPERATION / MAINTENANCE MANUAL**

**MODEL 200 VIBRATORY DRIVER WITH MODEL 595 POWER UNIT**

**7032 SOUTH 196th - KENT, WA. 98032 - (253) 872-0141 / FAX (253) 872-8710**



# OPERATION / MAINTENANCE MANUAL

MODEL 200 VIBRATORY DRIVER WITH MODEL 595 POWER UNIT

7032 SOUTH 196th - KENT, WA. 98032 - (253) 872-0141 / FAX (253) 872-8710

## VI. VIBRO TROUBLE-SHOOTING

### VI.-1 Model 200 Vibro

The following table lists some possible problems, causes and solutions. If a serious problem should occur, contact the factory for additional service information.

| ITEM | PROBLEM   | ITEM | PROBLEM  |
|------|---|------|--|
| 1.   | Oil Blowing Out Between Gear box and Hydraulic Motor. | 6.   | Vibrator Won't Start When Forward Switch is Engaged. |
| 2.   | Vibro Gearbox is Too Hot.                             | 7.   | Clamp Won't Open When Clamp Open Switch is Engaged.  |
| 3.   | Excess Oil in the Gearbox.                            | 8.   | Vibro Won't Come Up to Normal Operating Speed.       |
| 4.   | Oil Blowing Out From Pop-Off Valve.                   | 9.   | Vibro Won't Stop When Stop Button is Engaged.        |
| 5.   | Opening and Closing Clamp Jaws Seems Spongy or Slow.  |      |  |

Table 6-A. Vibro Trouble-Shooting Index

#### Possible Cause

#### Remedy

#### 1. Oil Blowing Out Between Gearbox and Hydraulic Motor.

The breather may be plugged or damaged. Remove the breather and clean it. If the breather is damaged replace it.

O-rings may not be sealing properly

Check the o-rings between the gearbox top plate and the motor. Clean the seal areas and replace the o-rings if needed.

#### 2. Vibro Gearbox is Too Hot.

Oil level may be too high.

Make sure the gearbox is level. Remove the oil over fill plug (located on the gearbox next to the sight gage). If oil flows out, the oil level is too high and must be lowered.

Oil may be too dirty.

Look at oil in the sight gage. If the oil is black or milky it must be replaced. If you are still not sure, remove the gear box drain plug and check the oil.

#### 3. Excess Oil in the Gearbox.

The seal between the gearbox and the hydraulic motor may be bad and is allowing oil to flow directly into the gearbox.

Remove the motor from the face of the gearbox. Check and clean the seal area, replace the seal if it looks bad.

#### 4. Oil Blowing out Pop-Off Valve.

Blocked flow in case drain line.

Check case drain line to see if it is pinched.

Check case drain line for proper connection tightness.

Valve may be bad.

Remove and check the valve. Replace the valve if needed.

One or both motors may be damaged.

Remove the motors and have them checked for damage. Replace if needed.



# **OPERATION / MAINTENANCE MANUAL**

MODEL 200 VIBRATORY DRIVER WITH MODEL 595 POWER UNIT

7032 SOUTH 196th - KENT, WA. 98032 - (253) 872-0141 / FAX (253) 872-8710

## **VI. VIBRO TROUBLE-SHOOTING (Continued...)**

### **Possible Cause**

### **Remedy**

#### **5. Opening and Closing Clamp Jaws Seems Spongy or Slow.**

The plunger shaft may not be properly lubricated or may need cleaning.

Remove the movable jaw from the clamp. Inspect the plunger shaft and check for lubrication or debris build up. Clean the shaft if needed and then lubricate using the grease zert on the clamp body.

The clamp hoses may have air in them and may need bleeding.

Follow the procedures listed in this manual (page 4-3, Section IV-5.) for bleeding the clamp attachment hydraulic hoses.

#### **6. Vibrator Won't Start When Start Switch is Engaged.**

Diesel engine is not running.

Start diesel engine.

Hoses may be connected improperly.

Check hoses and make connection corrections if required.

One or both hydraulic motors may not be operating properly.

Remove the case drain hose from a motor and plug the port connecting it to the other motor. Hold the case drain hose so that the oil will flow into a bucket. Run the Vibrator, if a large amount of oil flows from the case drain hose the motor needs to be replaced or rebuilt. Do the same procedure to the other motor.

Vibrator gearbox may be frozen up.

If motors are working fine and the drive pressure appears normal, then the vibro gearbox may be frozen and in need of repair.

Drive pressure is too low.

Manually close start valve at the drive manifold. If vibro will not start, replace the start valve. If vibro will not start, replace the drive pump.

#### **7. Clamp Won't Open When Clamp Open Switch is Engaged.**

Vibrator is running.

The clamp won't open while the vibro is in operation. To open the clamp, stop the vibro.

Diesel engine may not be running.

Start the power unit engine and allow clamp pressure to build.

There may be an electrical failure.

Check for the following:

- Defective clamp switch.
- Broken or loose wire in the pendant or pendant cable.
- Defective OPEN solenoid.
- Broken or loose wire between main power switch and START relay.
- Defective or sticking clamp timing delay relay.
- Broken or loose wire between main power switch and amphenol connector.

The clamp pump may be defective.

Check clamp pump for slipping belts and tighten if required. If clamp wont open, replace clamp check valves. If clamp still wont open, replace the clamp pump.



# **OPERATION / MAINTENANCE MANUAL**

MODEL 200 VIBRATORY DRIVER WITH MODEL 595 POWER UNIT

7032 SOUTH 196th - KENT, WA. 98032 - (253) 872-0141 / FAX (253) 872-8710

## **VI. VIBRO TROUBLE-SHOOTING (Continued...)**

### **Possible Cause**

### **Remedy**

#### **8. Vibro Won't Come Up to Normal Operating Speed.**

Defective hydraulic motor or drive pump.

If vibration frequency has been verified lower than normal, Replace the hydraulic motors one at a time to see if performance improves. If vibro still operates below normal speed, replace drive pump.

#### **9. Vibro Won't Stop When Stop Switch is Engaged.**

There may be an electrical failure.

Check for the following:

- Defective REVERSE / OFF / FORWARD switch.
- Broken or loose wire in the pendant or pendant cable.
- Defective START valve.



# **OPERATION / MAINTENANCE MANUAL**

**MODEL 200 VIBRATORY DRIVER WITH MODEL 595 POWER UNIT**

**7032 SOUTH 196th - KENT, WA. 98032 - (253) 872-0141 / FAX (253) 872-8710**

## **VII. MODEL 595 POWER UNIT**

### **VII-1. Hydraulic Circuitry.**

#### **VII-1A. Clamp Circuitry.**

(Used for extending and retracting jaw cylinder Item "F".)

Oil for the clamp circuit is provided by one half of a dual pump "G1". All oil to the inlet of this pump flows from the reservoir (Item "A") through a shut-off valve, which must be open at all times. Oil is then directed from the pump to the Clamp/Drill manifold "F" which contains the clamp directional control valve. When the clamp switch is in the neutral position, the oil flows through the clamp directional control valve and back to the oil tank. When clamp switch is moved to OPEN, solenoid "B" (on the clamp directional control valve) is energized the oil will flow out to the clamp cylinder and retract (open) the jaws. The clamp open pressure can be seen on the clamp pressure gage. When the clamp switch is moved to CLOSE, solenoid "A" (on the clamp directional control valve) will be energized and oil flow will be directed to the clamp cylinder. The clamp cylinder will then extend (close) the jaws. When clamp comes up to pressure 4800 psi, solenoid "A" will be de-energized, directing pump oil flow back to oil tank. Clamp pressure is maintained in clamp cylinder by a pilot operated check valve. At any time should the clamp pressure fall below 4500 psi. the clamp pressure switch will re-energize solenoid "A" and direct pump flow to the clamp cylinder. Maximum clamp pressure is limited by the clamp pressure relief valve set at 4800 psi. The quick disconnect couplers permit decoupling of clamp hoses.

#### **VII-1B. Drive Circuit.**

(Used for operating APE vibrator, APE drill or any other unit, Item "B".)

There are two pumps (one dual pump "G2" and one half of "G3") that direct oil to the drive circuit (Vibro Motors). The maximum drive pressure is controlled by the drive pressure relief valve, to 5000 psi. max. When the drive switch is moved to the FWD position, solenoid "A" of the drive directional control valve is energized. Oil flow is directed to the vibro motors to rotate the eccentrics. When the drive switch is moved to the OFF position, oil flow is directed back to the tank through the drive directional control valve and solenoid "A" is de-energized.

The quick-disconnect couplings permit de-coupling of the drive and case drain hoses.



### VII-1C. Hydraulic Schematic.

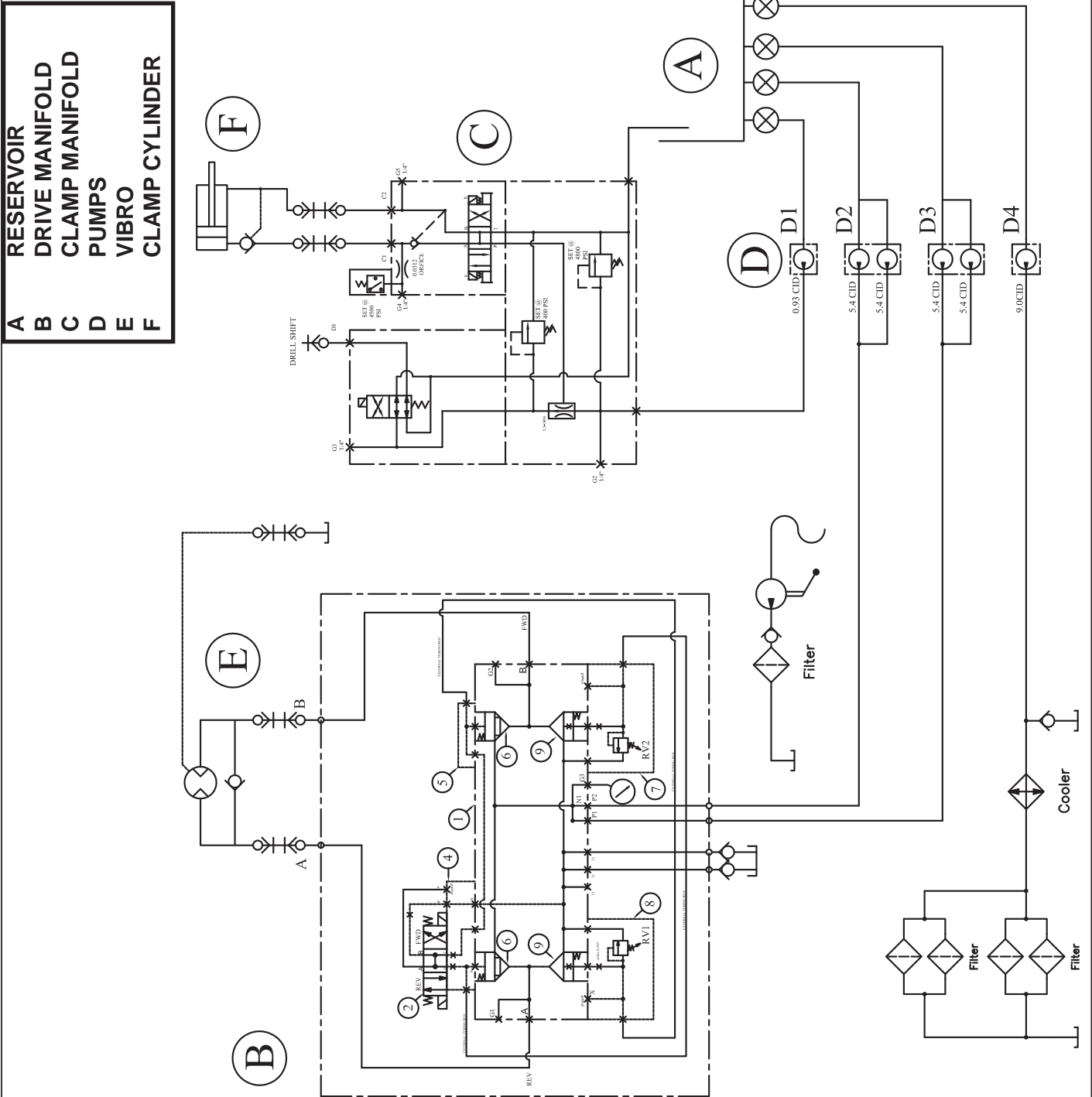


Figure 7-A. Hydraulic System Schematic

### VII. MODEL 595 POWER UNIT (Continued...)

#### VII-1D. Hydraulic Components - Clamp Drill Manifold Assembly

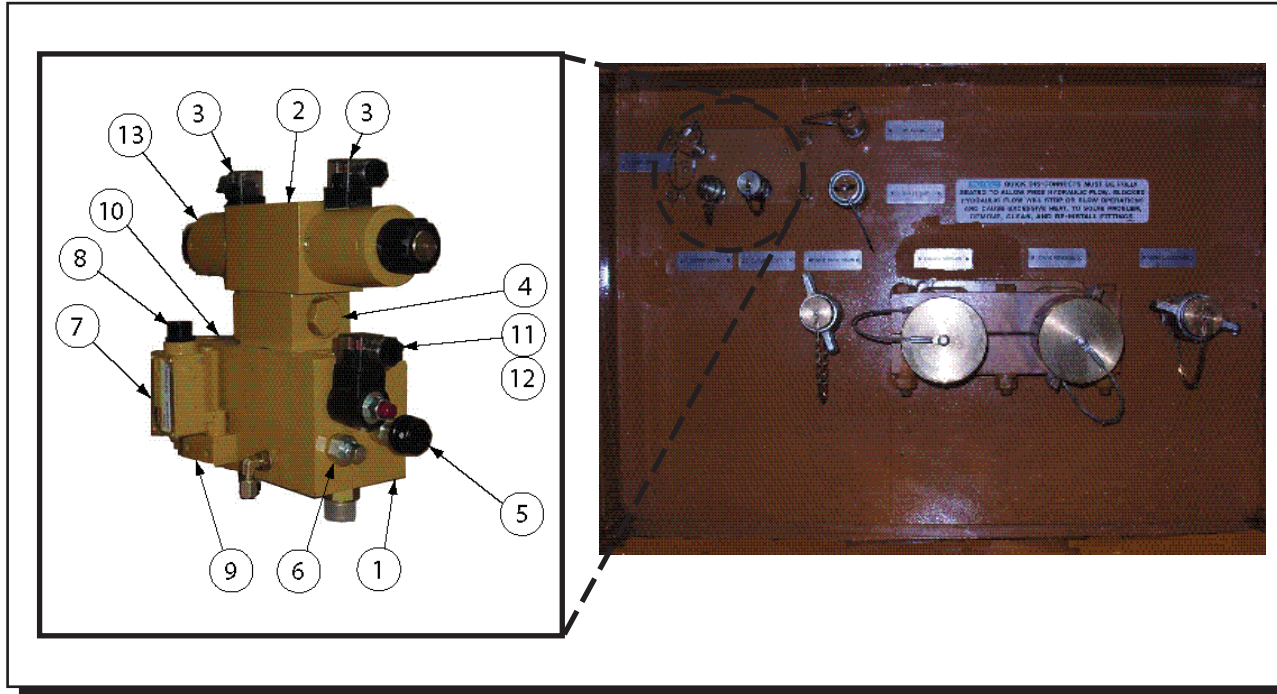


Figure 7-B. Clamp Drill Manifold Assembly 523003B

| ITEM                      | APE PART NO. |
|---------------------------|--------------|
| 1. MANIFOLD MACHINED      | 555073       |
| 2. CONTROL VALVE          | 555075       |
| 3. LIGHTED CONNECTOR      | 555077       |
| 4. PO CHECK VALVE         | 555079       |
| 5. CLAMP RELIEF VALVE     | 555081       |
| 6. DRILL RELIEF VALVE     | 555083       |
| 7. PRESSURE SWITCH        | 555085       |
| 8. STR SO COR CONNECTOR   | 555087       |
| 9. 90 DEG. TURN BLOCK     | 555089       |
| 10. PRIORITY FLOW CONTROL | 555091       |
| 11. DRILL SOLENOID VALVE  | 555093       |
| 12. DRILL COIL            | 555095       |
| 13. CONTROL VALVE COIL    | 543049       |

Table 7-A. Clamp Drill Manifold Assembly 523003B

### VII. MODEL 595 POWER UNIT (Continued...)

#### VII-1D. Hydraulic Components - Clamp Drill Manifold 523003B

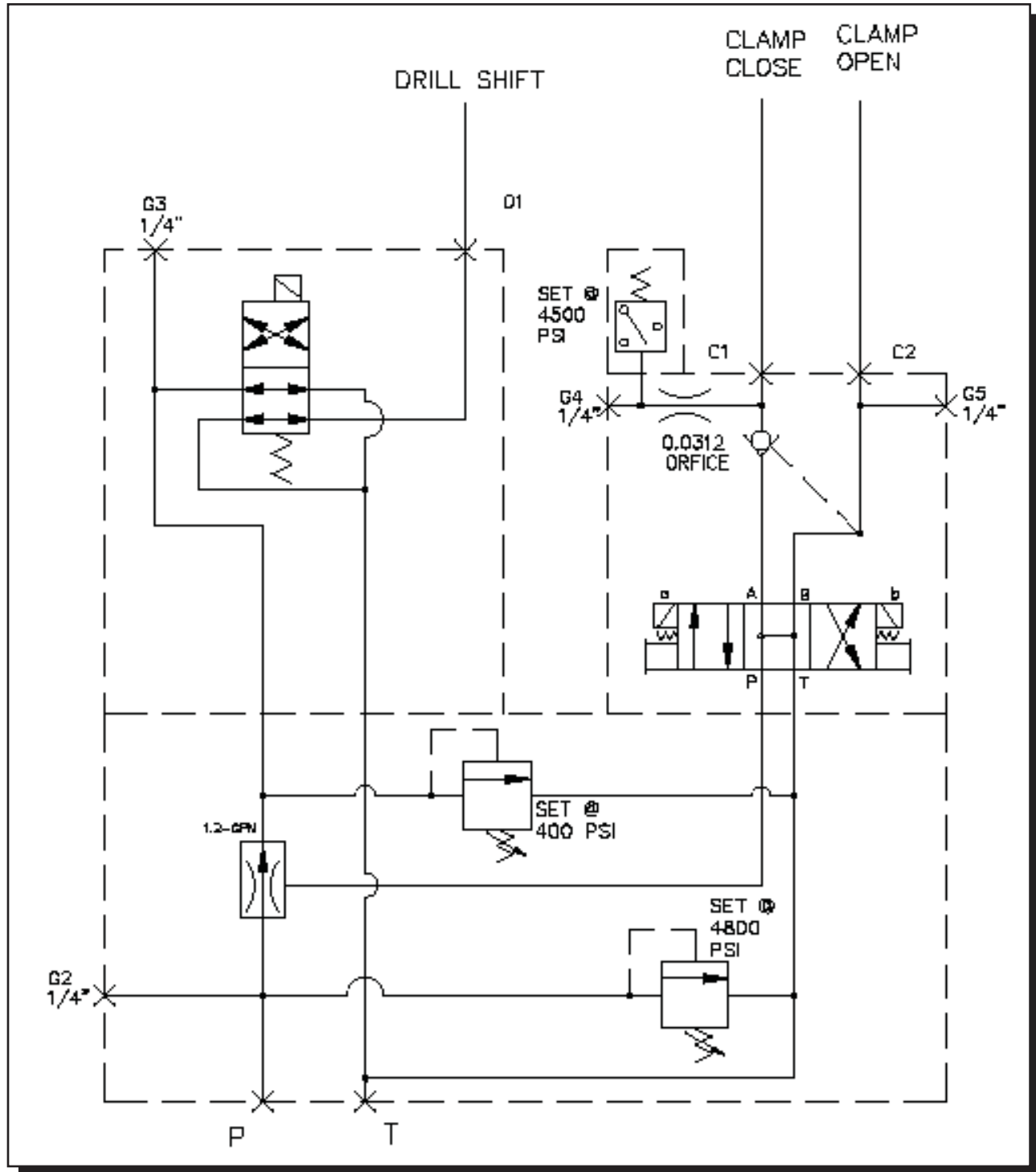


Figure 7-C. Hydraulic Schematic - Clamp Drill Manifold

### VII. MODEL 595 POWER UNIT (Continued...)

#### VII-1E. Hydraulic Components - Drive Manifold Assy. 555183

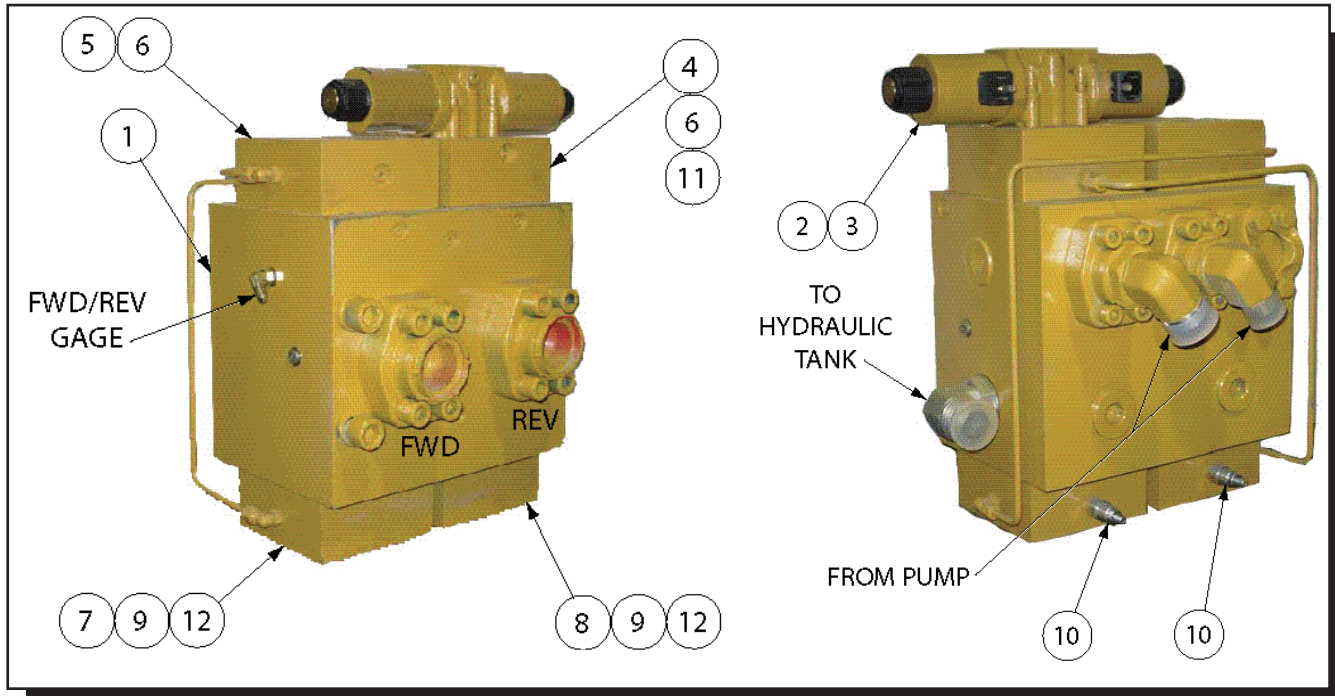


Figure 7-D. Drive Manifold Assembly 555183

| ITEM                      | APE PART NO. |
|---------------------------|--------------|
| 1. MANIFOLD MACHINED      | 555185       |
| 2. SOLENOID CONTROL VALVE | 555075       |
| 3. SOLENOID COIL          | 543049       |
| 4. CA1 CART COVER         | 555187       |
| 5. CA2 CART COVER         | 555189       |
| 6. CARTRIDGE CA1 & CA2    | 555203       |
| 7. CB2 CART COVER         | 555193       |
| 8. CB1 CART COVER         | 555191       |
| 9. CARTRIDGE CB1 & CB2    | 555201       |
| 10. RELIEF VALVE          | 555195       |
| 11. ORIFICE               | 555197       |
| 12. ORIFICE               | 555199       |

Table 7-B. Drive Manifold Assembly 555183

### VII. MODEL 595 POWER UNIT (Continued...)

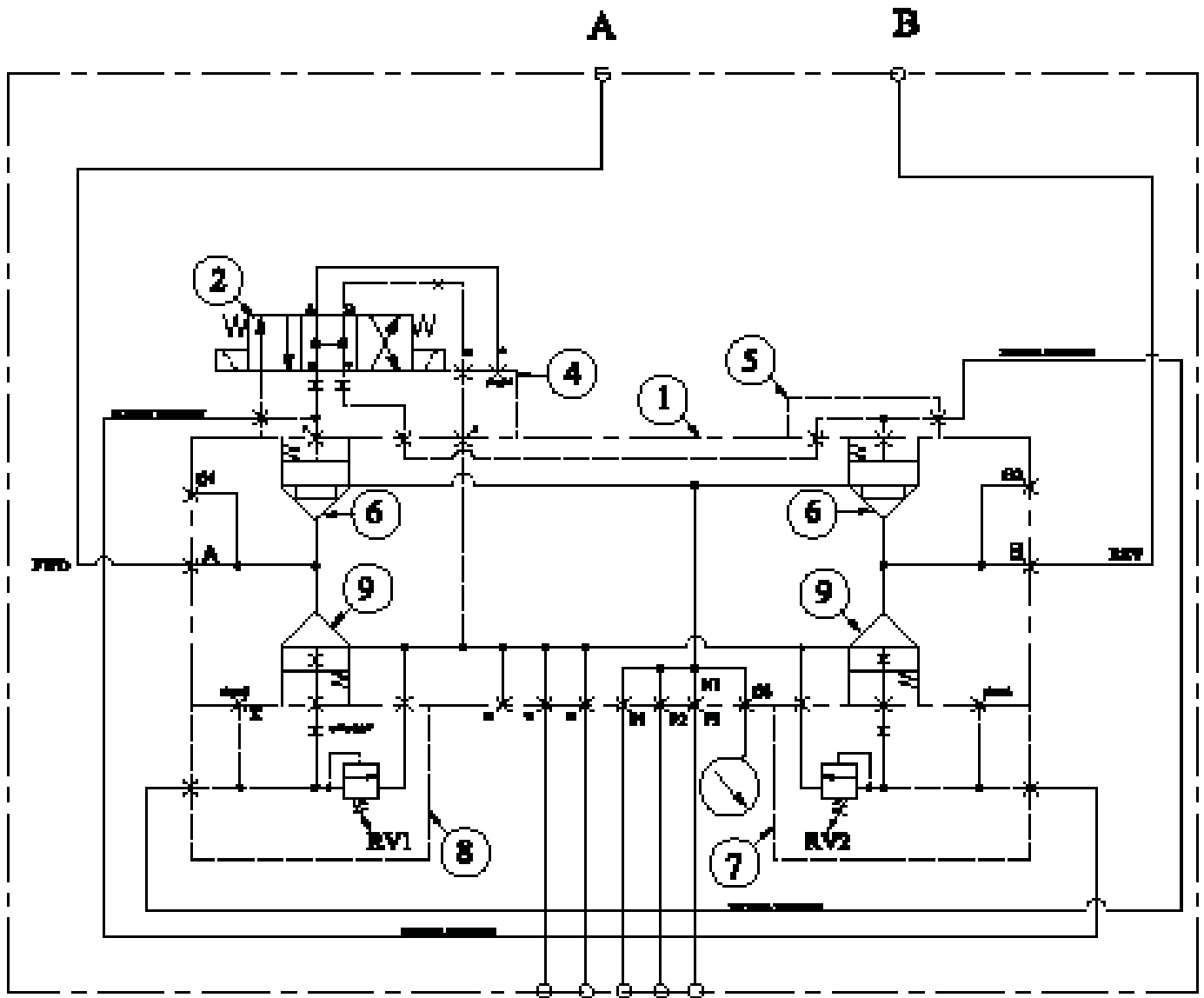


Figure 7-E. Hydraulic Schematic- Drive Manifold



# **OPERATION / MAINTENANCE MANUAL**

**MODEL 200 VIBRATORY DRIVER WITH MODEL 595 POWER UNIT**

**7032 SOUTH 196th - KENT, WA. 98032 - (253) 872-0141 / FAX (253) 872-8710**



# OPERATION / MAINTENANCE MANUAL

MODEL 200 VIBRATORY DRIVER WITH MODEL 595 POWER UNIT

7032 SOUTH 196th - KENT, WA. 98032 - (253) 872-0141 / FAX (253) 872-8710

## VII. MODEL 595 POWER UNIT (Continued...)

### VII-1F. Hydraulic Components Hose Identification and Routing

| QTY | DESCRIPTION                           | PARKER HOSE                |
|-----|---------------------------------------|----------------------------|
| 1   | Vibro Case Drain                      | F471TC0606-12-12-12-29"    |
| 1   | Clamp Open Gauge                      | F3010606-4-4-4-131 1/2"    |
| 1   | Clamp Close Gauge                     | F3010606-4-4-4-123 1/2"    |
| 1   | Clamp Manifold Return                 | F451TC0606-12-12-12-71"    |
| 1   | Drive Manifold (Return)               | F3010606-24-24-24-27 1/2"  |
| 1   | Clamp Pump (Press. to Clamp Manifold) | F471TC0606-8-8-8-103"      |
| 1   | Clamp Pump (Suction)                  | F8110606-20-20-20-95"      |
| 1   | Fuel (Tank to Filter)                 | F471C0606-8-8-8-36 1/2"    |
| 1   | Fuel (Return)                         | F471C0606-8-8-8-79"        |
| 1   | Hand Pump (Suction)                   | F8110606-20-20-20-138 1/2" |
| 1   | Hand Pump (Pressure)                  | F8110606-16-16-16-56 1/2"  |
| 1   | Drive Forward & Reverse Gauge         | F3010606-4-4-4-137 1/2"    |
| 1   | Return Filter (Gauge)                 | F3010606-4-4-4-235"        |
| 1   | Recirculation Pump (Press. to Cooler) | F3010606-20-20-20-110"     |
| 1   | Recirculation Pump (Check. to Filter) | F3010606-20-20-20-153"     |
| 1   | Cooler to Filter                      | F3010606-24-24-24-219 1/2" |
| 1   | Engine Oil Pressure Gauge             | 9190606-4-4-4-100"         |
| 1   | Drill Shift                           | F3010606-4-4-4-110 1/2"    |
| 2   | Drive Pump Pressure                   | F78C0606-20-20-20-85"      |
| 1   | Drive Pump Suction                    | 811-32 21 1/2"             |
| 1   | Drive Pump Suction                    | 811-32 22"                 |
| 1   | Recirc Pump Suction                   | 811-32 24"                 |
| 1   | Hand Pump Pressure                    | F8110606-16-16-16-41"      |
| 1   | Hand Pump Suction                     | F8110606-20-20-20-117 1/2" |
| 1   | Radiator Shunt                        | 801-16-60"                 |
| 1   | Radiator                              | 7520-4 Push Lock 5/16-48"  |

Table 7-C. Hose Identification and Routing

## VII. MODEL 595 POWER UNIT (Continued...)

### VII-1G. Hydraulic Components - Hydraulic Tank Connections

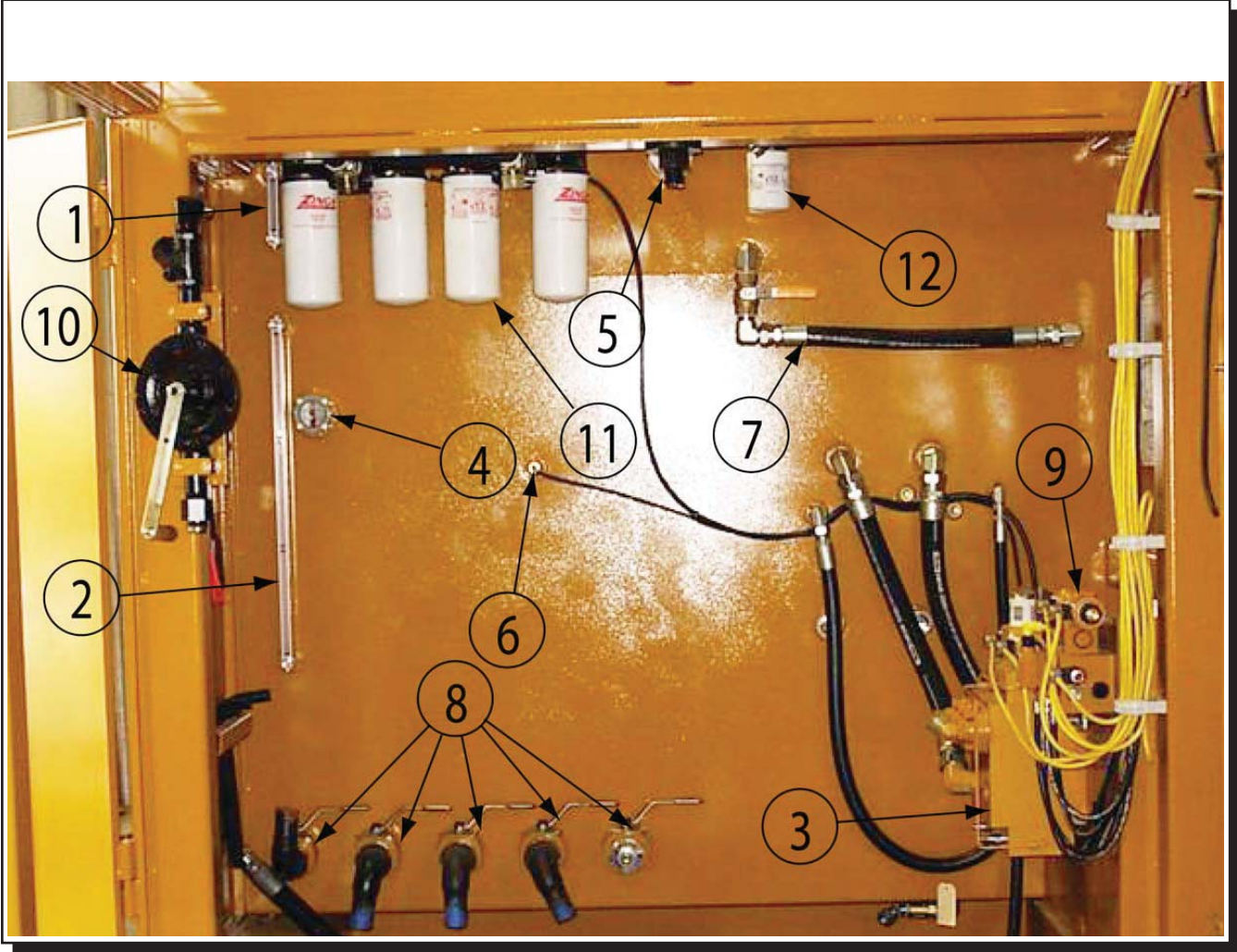


Figure 7-F. Hydraulic Component Identification - Tank Detail





# **OPERATION / MAINTENANCE MANUAL**

MODEL 200 VIBRATORY DRIVER WITH MODEL 595 POWER UNIT

7032 SOUTH 196th - KENT, WA. 98032 - (253) 872-0141 / FAX (253) 872-8710

## **VII. MODEL 595 POWER UNIT (Continued...)**

### **VII-1G. Hydraulic Components - Hydraulic Tank Connections (Continued...)**

| <b>ITEM DESCRIPTION</b>    | <b>APE PART NO.</b> |
|----------------------------|---------------------|
| 1 6" SITE GAGE             | 513003              |
| 2 30" SITE GAGE            | 513005              |
| 3 DRIVE MANIFOLD ASSY.     | 555183              |
| 4 LEVEL SWITCH             | 513033              |
| 5 AIR BREATHER             | 555141              |
| 6 TEMP. SWITCH             | 523016              |
| 7 HYD. TANK TRANSFER ASSY. |                     |
| 8 SUCTION VALVE (TO PUMPS) | 555001              |
| 9 CLAMP/DRILL MANIFOLD     | 523003B             |
| 10 MANUAL PUMP             |                     |
| 11 RETURN FILTER           |                     |
| 12 MANUAL PUMP FILTER      |                     |

Table 7-D. Hydraulic Component Identification - Tank Detail



# **OPERATION / MAINTENANCE MANUAL**

MODEL 200 VIBRATORY DRIVER WITH MODEL 595 POWER UNIT

7032 SOUTH 196th - KENT, WA. 98032 - (253) 872-0141 / FAX (253) 872-8710

## **VII. MODEL 595 POWER UNIT (Continued...)**

### **VII-1H. Return Filter.**

Returning fluid is filtered by the return filter.

### **VII-1I. Oil Cooler.**

The oil cooler cools the hydraulic fluid is continuously pumped thru cooler while the engine is running. This cooler is protected by a check valve that will bypass oil back to hydraulic tank.

### **VII-1J. Manual Pump.**

A manual pump is provided to fill the hydraulic reservoir a filter in place to see only clean oil enters the reservoir. A check valve prevents loss of fluid from the reservoir back through the manual pump.

### **VII-1K. Hydraulic Oil Temperature.**

A temperature gauge indicates hydraulic oil temperature. The sending unit is mounted on the main tank.

## VII. MODEL 595 POWER UNIT (Continued...)

### VII-1L. Hydraulic Components - Hydraulic Pumps

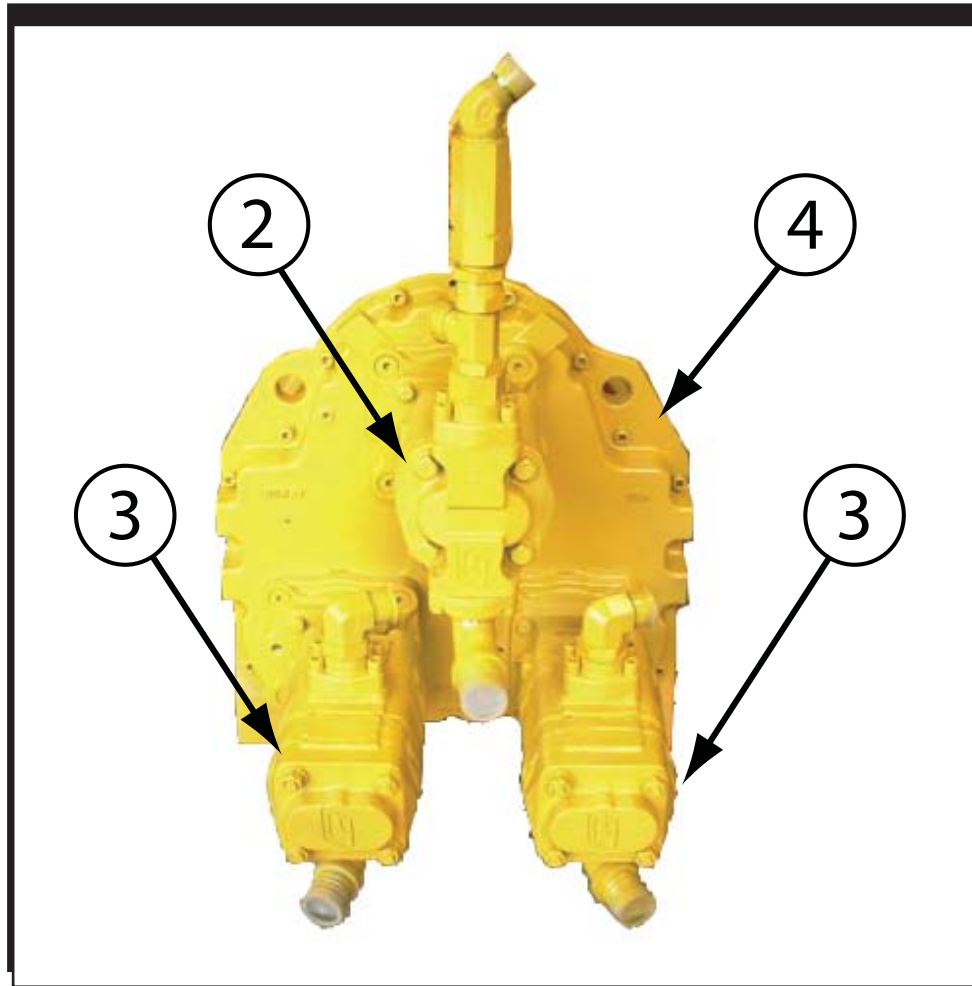


Figure 7-G. Hydraulic Pumps

| ITEM | DESCRIPTION            | QTY | PART NUMBER | FUNCTION                |
|------|------------------------|-----|-------------|-------------------------|
| 1    | Clamp Pump (on engine) | 1   | 543099      | Clamp and Drill Shift   |
| 2    | Recirc Pump            | 1   | 543097      | Cooler / Filter         |
| 3    | Vibro Drive Pump       | 3   | 543085      | Vibro                   |
| 4    | Pump Drive             | 1   | 555275      | Connect Engine to Pumps |

Clamp pump not shown in this figure.

Table 7-E. Hydraulic Pumps



# **OPERATION / MAINTENANCE MANUAL**

**MODEL 200 VIBRATORY DRIVER WITH MODEL 595 POWER UNIT**

**7032 SOUTH 196th - KENT, WA. 98032 - (253) 872-0141 / FAX (253) 872-8710**



# **OPERATION / MAINTENANCE MANUAL**

MODEL 200 VIBRATORY DRIVER WITH MODEL 595 POWER UNIT

7032 SOUTH 196th - KENT, WA. 98032 - (253) 872-0141 / FAX (253) 872-8710

## **VII. MODEL 595 POWER UNIT (Continued...)**

### **VII-2. Electrical Controls: (Understanding How They Work)**

The Main Control Panel (located behind one of the doors on the left side of the Power Unit) contains all of the equipment necessary to Start, Control, and Monitor the Engine, as well as control the Vibro functions. Remote control of the Vibro functions can be achieved by plugging either a Remote Pendant Switch, or a Radio Receiver into the 12 pin receptacle, located on the bottom of the panel. The Pendant Switch will allow the operator to move about in approx. a 50 ft radius of the Power Unit. The Radio will allow the operator to move about in approx. a 400 ft radius of the Power Unit.

#### **VII-2A. Main Circuit Breaker**

A circuit breaker is provided to protect the control wiring in the event of an electrical overload or a shorted circuit. If the circuit breaker should trip, find and repair the fault, then reset the breaker by pressing the circuit breaker reset button on the face of the Control Panel.

#### **VII-2B. Tachometer**

A digital tachometer, located on the front of the control panel, is provided to monitor the engine RPM. A magnetic sensor picks up a signal from the flywheel, and sends it to the tachometer. If there is reason to doubt the accuracy of the tachometer, check the engine RPM with a phototach, then calibrate the tachometer gage. The factory should be consulted for proper setting of the tach switches.

#### **VII-2C. Hourmeters**

Two hourmeters are on the Control Panel, one on the face of the panel, and one inside the panel. The hourmeter on the face of the panel monitors the time that the engine is running. The hourmeter inside the panel monitors the time that the "Forward Drive" is operating.

#### **VII-2D. Engine Safety Shutdown Switch (Murphy Magnetic Switch)**

Mounted to the back side of the Control Panel Door, is a Murphy Magnetic switch with a manual reset button protruding through the front of the Panel Door. When the contact on the switch is closed, power is supplied to the fuel valve solenoid, the hourmeter, and the "System OK" light. When the contact is open, the above items will be de-energized, and the engine will not run. The contact can be manually closed by pressing the "Reset" button on the face of the control panel. The contact will remain latched closed, unless the coil on the switch is energized. Each time the coil is energized, the contact will be unlatched, and the contact will open, to stop the engine. There are five switches that can energize the coil on the Murphy magnetic Switch, to stop the engine, (Engine Oil Pressure Gage, Engine Coolant Temperature Gage, Hydraulic Oil Temperature Gage, Hydraulic Oil Level Switch, and Emergency Stop Button on either the Pendant Switch, or the Radio).

#### **VII-2E. Murphy "Engine Oil Press" gage**

The Engine Oil Pressure Gage is located on the door of the Main Control Panel. A low cutoff switch is located inside the Murphy "Engine Oil Press" gage. When the engine oil pressure is too low, the switch will close to energize the coil in the Murphy Mag Switch. The cutoff pressure has been set at the factory. If the setting should need to be changed, use the adjustment screw provided in the front of the gage. A 1/16" allen wrench is required. Each time the engine is to be started, the Murphy Mag Switch coil will be energized by the switch in this gage. To start the engine, one must press and hold the manual reset button on the Murphy Mag Switch until sufficient engine oil pressure is achieved. Sufficient oil pressure has been achieved when the "Oil Press" light on the face of the Control Panel goes out.)



# **OPERATION / MAINTENANCE MANUAL**

MODEL 200 VIBRATORY DRIVER WITH MODEL 595 POWER UNIT

7032 SOUTH 196th - KENT, WA. 98032 - (253) 872-0141 / FAX (253) 872-8710

## **VII. MODEL 595 POWER UNIT (Continued...)**

### **VII-2F. Murphy “Engine Coolant Temp” gage**

The Engine Coolant Temperature Gage is located on the door of the Main Control Panel. A high cutoff switch is located in the Murphy “Engine Coolant Temp” gage. When the engine temperature is too high, the switch will close to energize the coil in the Murphy Mag Switch. The cutoff temperature has been set at the factory. If the setting should need to be changed, use the adjustment screw provided in the front of the gage. A 1/16” allen wrench is required. (Do not set the cutoff temperature above 220 deg F. without factory permission)

### **VII-2G. Murphy “Hyd Oil Temp” gage**

The Hydraulic Oil Temperature Gage is located in the Gage Assembly on the left of the Control Panel. A high cutoff switch is located in the Murphy “Hyd Oil Temp” gage. When the hydraulic oil temperature is too high, the switch will close to energize the coil in the Murphy Mag Switch. The cutoff temperature has been set at the factory. If the setting should need to be changed, use the adjustment screw provided in the front of the gage. A 1/16” allen wrench is required.

### **VII-2H. Hydraulic Oil Level Float Switch**

The “Hyd Oil Level” float switch is located in the hydraulic oil reservoir, next to the sight gage. A glass window is provided in the switch so that the float and oil level can be observed. If the oil level gets too low, the switch will close to energize the coil in the Murphy Mag Switch.

### **VII-2I. “Emergency Stop” button**

To stop the engine in an emergency, press the “Emergency Stop” button on the Remote Pendant Switch. This “Emergency Stop” switch will work, regardless of the position of the “Local-Pendant” selector Switch. There are two “Emergency Stop” switches on the power unit shell to also stop the engine in an emergency.

### **VII-2J. Pilot lights**

There are five pilot lights on the face of the control panel that are associated with the Safety Shutdown Switch discussed above.

1. “System OK” light. A lit “System OK” light is an indication that the Engine Oil Pressure, Engine Coolant Temperature, Hydraulic Oil Temperature, and the Hydraulic Oil Level are all okay. When the “System OK” light is not lit, the engine will have been automatically stopped. The problem can be detected by observing the following lights.
2. “Engine Oil Press” light. Any time the engine oil pressure is too low, this light will be on, (with the following exception). If the “Engine Coolant Temperature Gage”, the Hydraulic Oil Temperature Gage, or the Hydraulic Oil Level Switch has stopped the engine, the “Engine Oil Press” light will not be on; but, one of the following lights will be on.
3. “Engine Coolant Temp” light. If the Engine Coolant Temp is too high, this light will be on.
4. “Hydraulic Oil Temp” light. If the Hydraulic Oil Temperature is too high, this light will be on.
5. “Hydraulic Oil Level” light. Any time the Hydraulic Oil Level is too low, this light will be on.

In addition to the above, there is a pilot light in each of the terminal connectors on the solenoid valves. By observing these lights, one can tell which solenoids are energized.



# **OPERATION / MAINTENANCE MANUAL**

MODEL 200 VIBRATORY DRIVER WITH MODEL 595 POWER UNIT

7032 SOUTH 196th - KENT, WA. 98032 - (253) 872-0141 / FAX (253) 872-8710

## **VII. MODEL 595 POWER UNIT (Continued...)**

### **VII-2K. Engine Control Switch “OFF-ON-START”**

The Engine Control Switch is located on the front of the control panel, and is used to start and stop the diesel engine, as well as control power to all other electrical equipment on the power unit. This switch must be in the “on” position before the engine or any of the other electrical components will operate. The “off” and “on” positions are detented, but the “start” position is spring loaded to the “on” position. Turning the switch to the “start” position will energize the starter motor on the engine. The Local Remote switch must be in the local position for the engine control switch to be energized.

### **VII-2L. “LOCAL— PENDANT” Switch**

This switch is also located on the main control panel, and determines the location from which the vibro can be operated. The vibro can not be operated from more than one location at a time. When this switch is turned to the “local” position, the vibro can be operated only by the switches on the power unit control panel. In the “pendant” position, operation of the vibro is controlled by either the Hand Held Pendant Switch, or the Radio (depending on which one is plugged into the bottom of the Control Panel).

CAUTION should be used when changing the position of this switch. Check to make sure that all of the Drive “Forward/Reverse” switches, and “Clamp” switches (including the Radio) are turned “off” before turning this switch. If any one of the above switches are “on”, the vibro eccentrics or clamp could be accidentally activated, causing mechanical damage or personal injury.

### **VII-2M. Governor Control Switches “RAISE-off-LOWER”**

Governor Control switches can be found on the Main Control Panel, and the Held Pendant. The “Local-Pendant” switch determines which one is operable. To increase the engine rpm, turn the appropriate governor control switch to the “Raise” position. To decrease the engine rpm, turn the switch to the “Lower” position. On power units equipped with Caterpillar engines, the switches are connected directly to the engine governor. On power units equipped with Cummins engines, the switches control a Murphy Actuator, which in turn, operates a control arm on the engine governor. On both the Caterpillar and Cummins models, there is a manual throttle control, which can override the electric control. The electric control cannot lower the engine rpm below that set by the manual throttle control.

### **VII-2N. Clamp Control Switches (“OPEN-off-CLOSE”)**

A Clamp Control Switch can be found on the Main Control Panel, the Hand Held Pendant, and/or the Radio Transmitter. The “Local-Pendant” switch determines which one is operable.

The Clamp Control Switches on the Control Panel and the Hand Held Pendant are detented in the “off” and “close” positions. The “open” position is spring loaded back to the “off” position. When the ‘active’ Clamp Control Switch is in the “off” position, oil from the Clamp Pump is routed through the Clamp Solenoid Valve back to tank.



# **OPERATION / MAINTENANCE MANUAL**

MODEL 200 VIBRATORY DRIVER WITH MODEL 595 POWER UNIT

7032 SOUTH 196th - KENT, WA. 98032 - (253) 872-0141 / FAX (253) 872-8710

## **VII. MODEL 595 POWER UNIT (Continued...)**

### **VII-2N. Clamp Control Switches (“OPEN-off-CLOSE”) (Continued...)**

When the ‘active’ Clamp Control Switch is turned to the “open” position, The “open” solenoid on the Clamp Valve is energized, causing oil to be directed to the rod end of the Clamp Cylinder, provided the drive “Forward/Reverse” Switch is in the “off” position. (The clamp “open” solenoid cannot be energized when the “Drive Forward” switch is activated.) If the Clamp Control Switch is held in the “open” position after the clamp is fully open, oil pressure will build in the system until oil is flowing over a pressure relief valve, creating heat.

When the ‘active’ Clamp Control Switch is turned to the detented “Close” position, the “close” solenoid on the Clamp valve is energized, causing oil to be directed to the blind end of the Clamp Cylinder. Once the Clamp is closed, and sufficient oil pressure (4800psi) has built in the system, a pressure switch will open the circuit to the solenoid valve, and energize a pilot light located in the Clamp Control Switch Operator. A lit pilot light in the Clamp Control Switch Operator is an indication that there is enough oil pressure in the clamp circuit to safely run the vibro eccentrics.

If oil pressure in the Clamp circuit should bleed off to a predetermined level(4500psi), the pressure switch will de-energize the pilot light, and re-energize the “close” solenoid on the Clamp valve until pressure in the clamp circuit reaches 4800psi again. This cycle will continue until the Clamp switch is turned to the “off “ position.

### **VII-2O. Drive Control Switches (“FORWARD/off/REVERSE”)**

Drive Control Switches can be found on the Main Control Panel and the Hand Held Pendant. The “Local-Pendant” Selector Switch determines which one is operable. The Drive Control Switches on the Control Panel and the Hand Held Pendant are detented in all three positions. They must be in the “off” position before the engine can be started.

Turning the switch to FORWARD will start the vibro eccentrics spinning. To stop vibro turn the switch to off. When operating the eccentrics on a vibro, only the “Forward” drive should be used. If the “Reverse” drive is used, the majority of the oil will pass through the anti-cavitation valves located in the vibro suppresser housing, and the vibro eccentrics will not run properly.

**NEVER SWITCH FROM "FORWARD" TO "REVERSE" WHILE VIBRO IS OPERATING.**





# **OPERATION / MAINTENANCE MANUAL**

**MODEL 200 VIBRATORY DRIVER WITH MODEL 595 POWER UNIT**

**7032 SOUTH 196th - KENT, WA. 98032 - (253) 872-0141 / FAX (253) 872-8710**

## **VII. MODEL 595 POWER UNIT (Continued...)**

### **VII-2P. Preparing the Electrical System for Engine Startup.**

The following procedure should be followed at Engine Startup:

1. The Circuit Breaker must be closed (Pushed in and locked).
2. Turn the Clamp Switches on both the Control Panel and the Pendant to the 'Off' position.
3. Turn the Drive Switch on both the control panel and the Pendant to the 'Off' position.
4. Turn the Engine Control Switch to the 'On' position.
5. Check the Pilot Lights on the face of the Control Panel. If any of the lights, other than the "Engine Oil Pressure" light is on, correct the problem before proceeding. If the 'Engine Oil Pressure' light is on, proceed to step #8.
6. Depress and hold the button on the Engine Safety Shutdown Switch (Murphy Switch). This button must be depressed until Engine Oil Pressure is present.
7. Turn the Engine Control Switch to the 'Start' Position to engage the Starter Motor. Once the engine is running release the Engine Control switch. It will return to the RUN position.
8. Once Engine Oil Pressure is present, release the Engine Safety Shutdown Switch.



## VII. MODEL 595 POWER UNIT (Continued...)

### VII-2S. Electrical Schematic - Symbol Legend

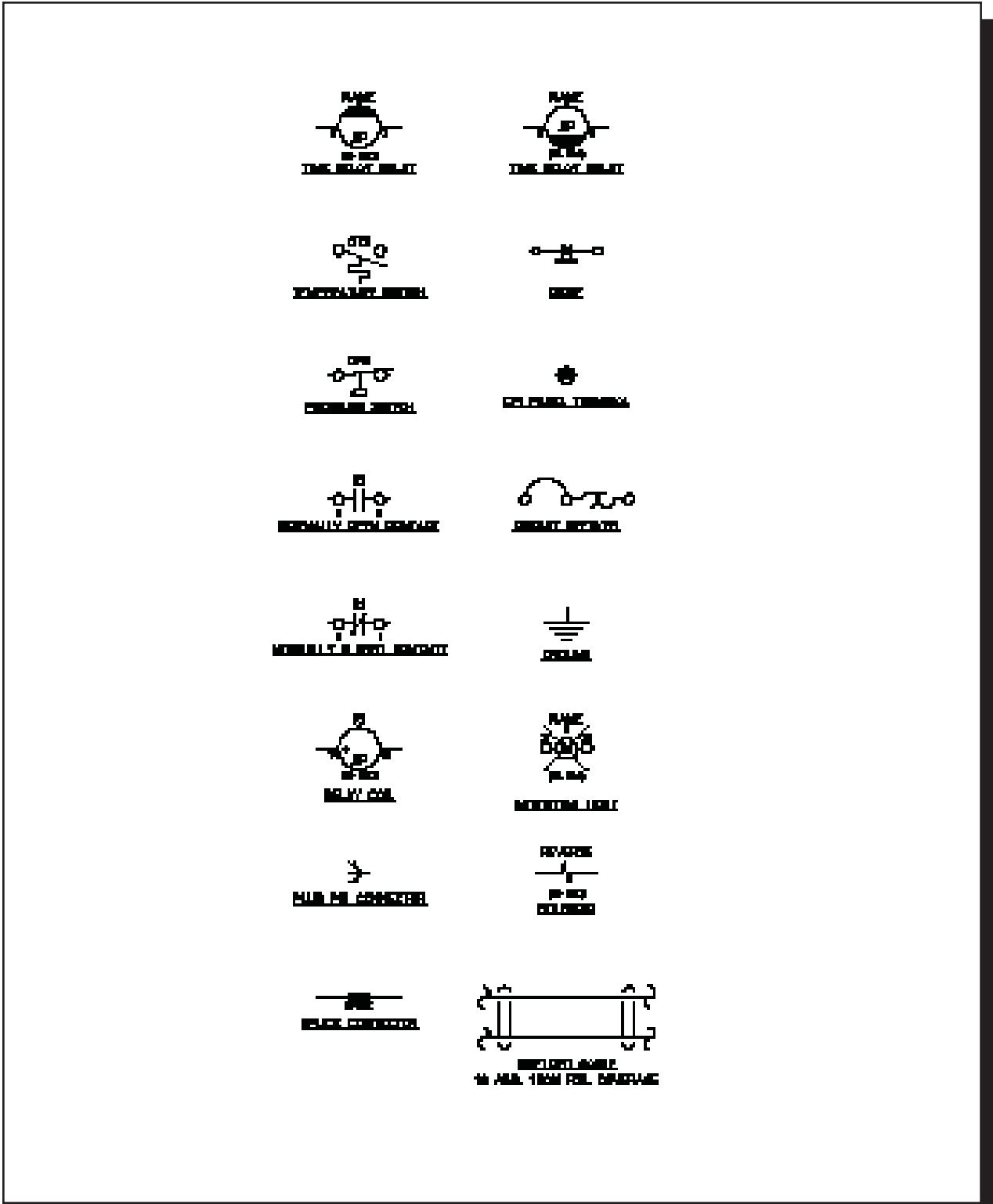


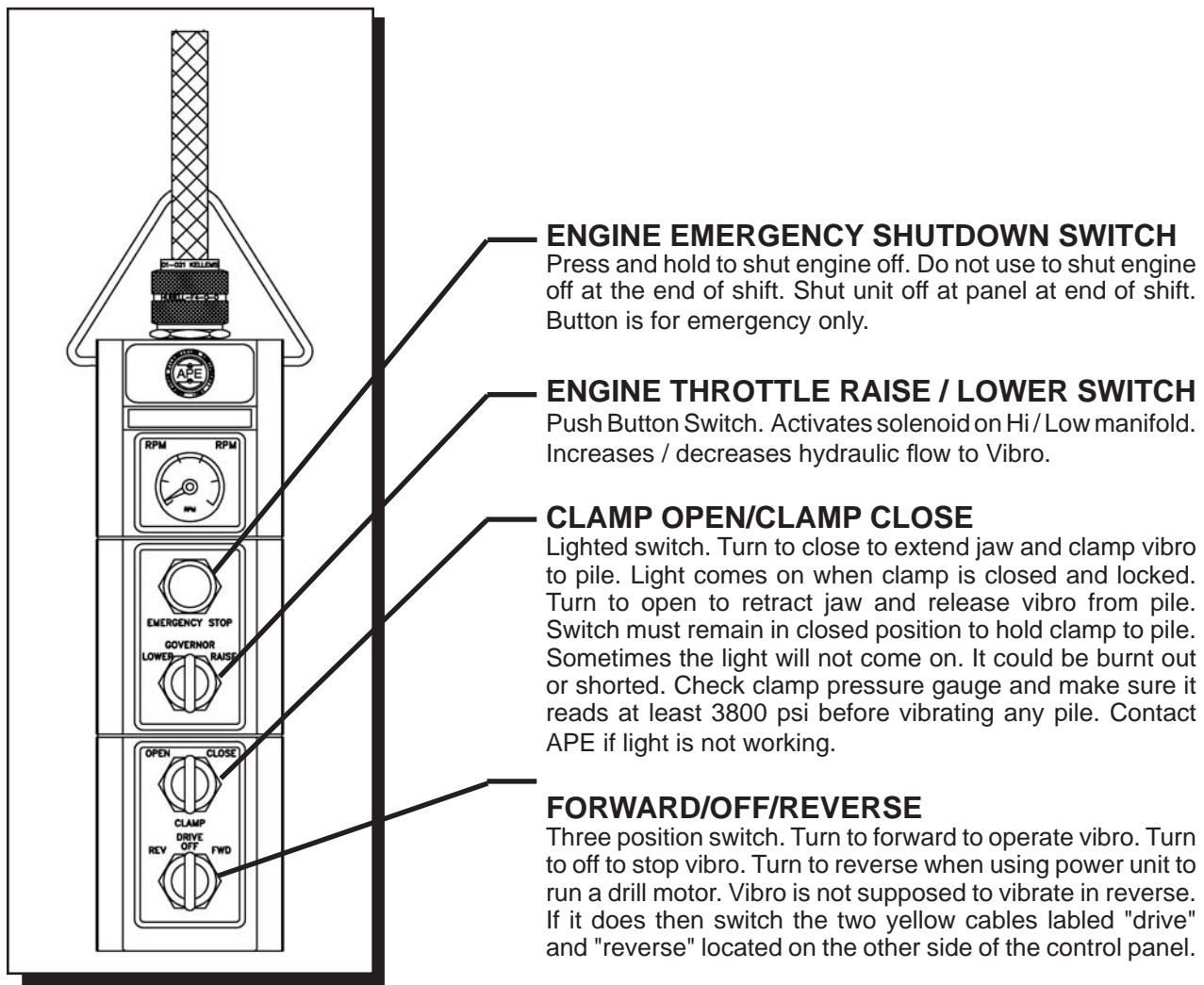
Figure 7-1. Electrical Symbol Legend

### VII. MODEL 595 POWER UNIT (Continued...)

#### VII-3. Control Pendant

A "CONTROL PENDANT" is provided to allow operation of the power unit at a distance of up to 50 feet (15 meters) and can be extended using 50 foot extension cables. The "CONTROL PENDANT" is connected to the control panel via a multiconnector plug.

The Control Pendant is particularly handy as a trouble shooting tool, in that the operator can position himself near the Control Valves while checking them. To make the Control Pendant Switches operable, turn the 'Local-Pendant' Switch to the 'Pendant' position, and the Engine Control Switch to the 'On' Position. (The Engine does not need to be running.) Each time a solenoid is energized, a pilot light on the connector to that solenoid should light up.



**Figure 7-J. Control Pendant**

**WARNING:** Never leave vibro clamped to a pile without the crane line attached. The clamp cylinder could bleed off causing the vibro to drop. Never hoist a pile in the air without a safety line attached to the pile. Should the clamp close line become damaged and leak, the clamp cylinder could lose pressure and drop the pile.

### VII. MODEL 595 POWER UNIT (Continued...)

#### VII-3A. Control Pendant Wiring Diagram

The following is the pin wiring configuration and the wire colors of the amphenol connectors for the remote control pendant cable.

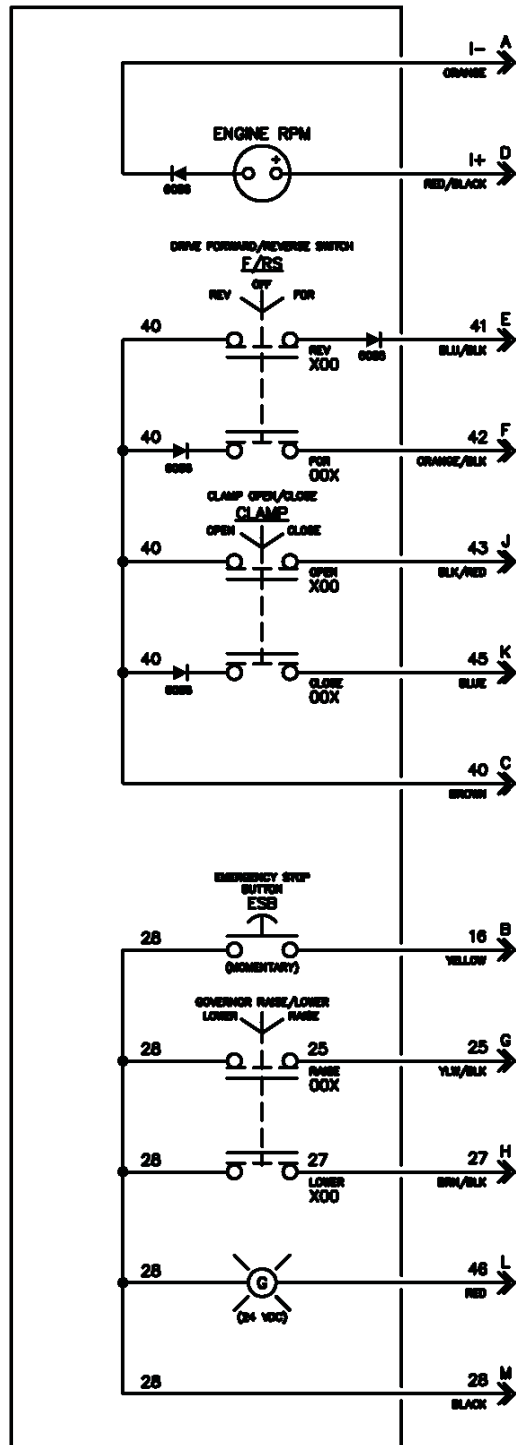


Figure 7-K. Electrical Schematic - Control Pendant



# OPERATION / MAINTENANCE MANUAL

MODEL 200 VIBRATORY DRIVER WITH MODEL 595 POWER UNIT

7032 SOUTH 196th - KENT, WA. 98032 - (253) 872-0141 / FAX (253) 872-8710

## VII-4. Recommended Bolt Tightening Torque

| Nominal Screw Size | Nominal Socket Size | Tightening Torque Ft-Lbs. (Kg-M) | Nominal Screw Size | Nominal Socket Size | Tightening Torque Ft-Lbs. (Kg-M) |
|--------------------|---------------------|----------------------------------|--------------------|---------------------|----------------------------------|
| #10-24             | 5/32                | 6 Ft-Lbs. (.83 Kg-M)             | #10-32             | 5/32                | 6 Ft-Lbs. (.83 Kg-M)             |
| 1/4-20             | 3/16                | 13 Ft-Lbs. (1.8 Kg-M)            | 1/4-28             | 3/16                | 15 Ft-Lbs. (2.1 Kg-M)            |
| 5/16-18            | 1/4                 | 27 Ft-Lbs. (3.7 Kg-M)            | 5/16-24            | 1/4                 | 30 Ft-Lbs. (4.2 Kg-M)            |
| 3/8-16             | 5/16                | 48 Ft-Lbs. (6.6 Kg-M)            | 3/8-24             | 5/16                | 55 Ft-Lbs. (7.6 Kg-M)            |
| 7/16-14            | 3/8                 | 77 Ft-Lbs. (10.6 Kg-M)           | 7/16-20            | 3/8                 | 86 Ft-Lbs. (11.9 Kg-M)           |
| 1/2-13             | 3/8                 | 119 Ft-Lbs. (16.4 Kg-M)          | 1/2-20             | 3/8                 | 133 Ft-Lbs. (18.4 Kg-M)          |
| 5/8-11             | 1/2                 | 234 Ft-Lbs. (32.3 Kg-M)          | 5/8-18             | 1/2                 | 267 Ft-Lbs. (36.9 Kg-M)          |
| 3/4-10             | 5/8                 | 417 Ft-Lbs. (57.6 Kg-M)          | 3/4-16             | 5/8                 | 467 Ft-Lbs. (64.5 Kg-M)          |
| 7/8-9              | 3/4                 | 676 Ft-Lbs. (93.4 Kg-M)          | 7/8-14             | 3/4                 | 742 Ft-Lbs. (102.5 Kg-M)         |
| 1-8                | 3/4                 | 1,009 Ft-Lbs. (139.4 Kg-M)       | 1-12               | 3/4                 | 1,126 Ft-Lbs. (155.6 Kg-M)       |
| 1-1/4-7            | 7/8                 | 1,600 Ft-Lbs. (221.1 Kg-M)       | 1-1/4-12           | 7/8                 | 1,800 Ft-Lbs. (248.8 Kg-M)       |
| 1-1/2-6            | 1                   | 2,800 Ft-Lbs. (387 Kg-M)         | 1-1/2-12           | 1                   | 3,000 Ft-Lbs. (414.6 Kg-M)       |

**Table 7-F. Recommended Bolt Tightening Torque**

NOTE: These values are for Socket head cap screws only. Button heads, Flat heads and Set screws have different values. Check the Allen Hand Book for correct torque specifications.