

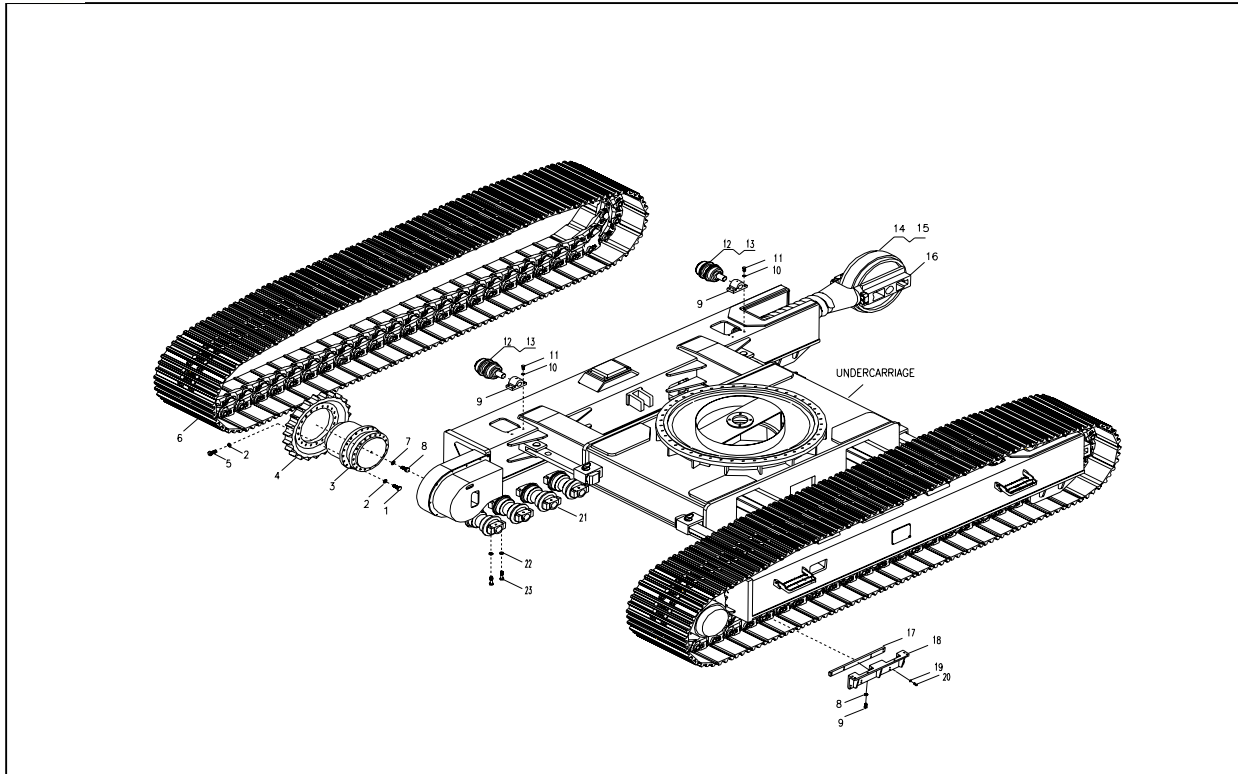
SA-20 DRILL RIG



PARTS BOOK

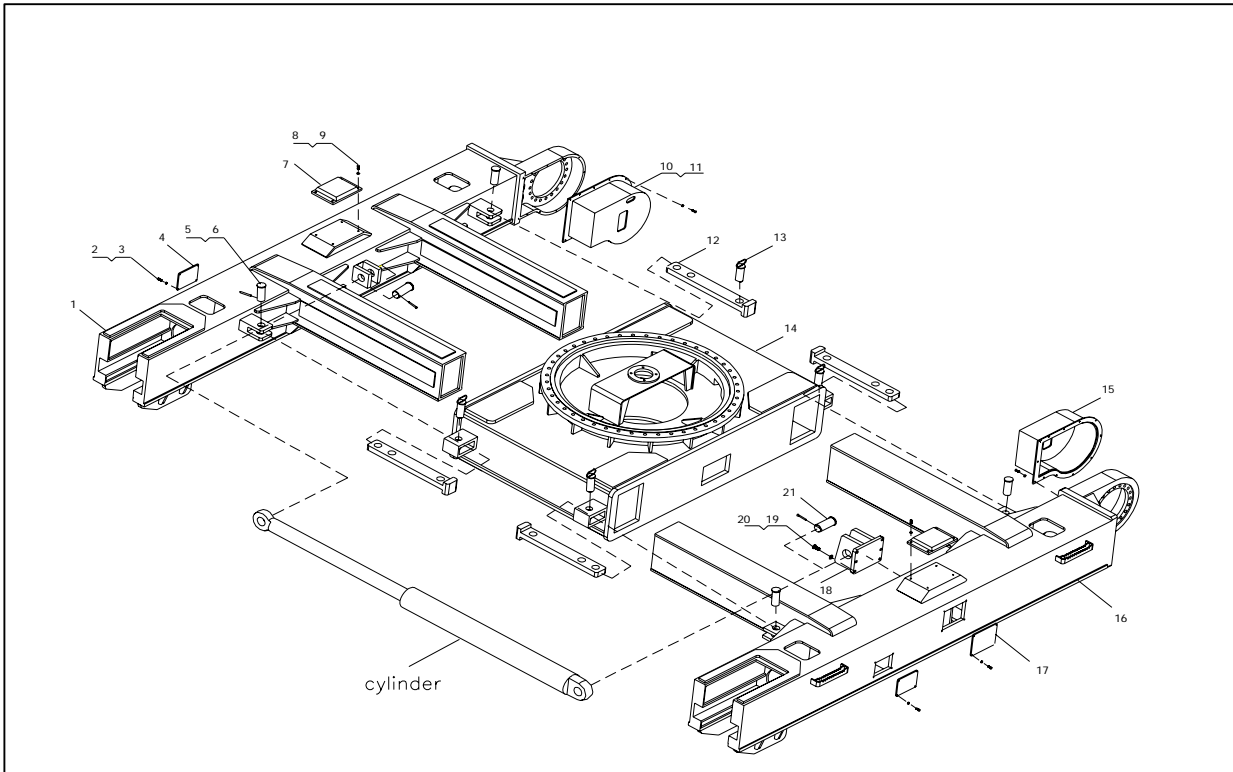
SA-20

ITEM	PART NUMBER	PART NAME	QTY	REMARK
1	803601000000	Traveling Mechanism	1	
2	803602000000	Carriage	1	
3		Drilling Tool	1	Subject to client's request
4	809000000000	Rotary Head	1	
5	803605000000	Kelly Bar	1	
6	803606040000	Cathead	1	
7	803606000000	Mast	1	
8	803604000000	Parallelogram System	1	
9	807200000000	Cabin Assembly	1	
10	807206000000	Operation Platform Layout	1	
11	803608000000	Main Winch	1	
12	803609000000	Auxiliary Winch	1	
13	803610000000	Sheet Metal	1	
14	803612000000	Counterweight	1	
15	803603000000	Turntable	1	



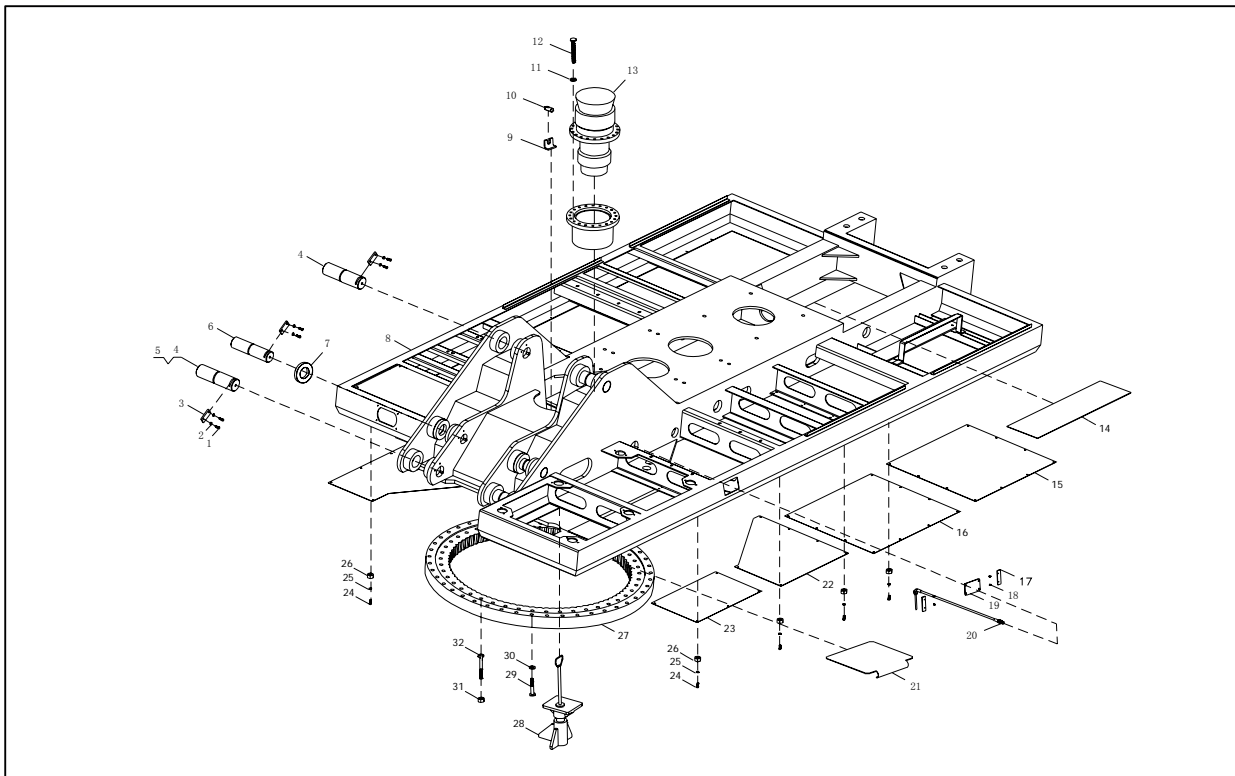
TRAVELING MECHANISM

ITEM	PART NUMBER	PART NAME	SPECIFICATION	QTY	REMARK
1	701103024030	Tap Bolt	M24X70-10.9 GB5782	40	
2	701508024002	Lock Washer	24 GB/T1230	80	
3	750301000022	Speed Reducer	GFT80T3	2	
4	306060306002	Sprocket		2	
5	701103024032	Tap Bolt	M24X80-10.9 GB5782	40	
6	750101000011	Track Assembly	KM1417/55/800	2	
7	701103020029	Tap Bolt	M20X40-10.9 GB5782	4	
8	701508020001	Lock Washer	20 GB/T1230	4	
9	330040203002	Pillow Block		4	
10	701501016003	Lock Washer	16 GB95	40	
11	701103016023	Tap Bolt	M16X50-8.8 GB5782	40	
12	750103000002	Carrier Roller Assembly	KM1817	4	
13	701307012003	Tap Bolt	M12X30 GB77	4	
14	750105000009	Guide Wheel Assembly	KM1713	2	
15	740258000001	Grease Zerk	JY-00	2	
16	750106000016	Tension Device	PC400-62	2	
17	302030306147	Track Clamp Plate		4	
18	803601010000	Track Clamp Frame		4	
19	701103010005	Tap Bolt	M10X40 GB5782	32	
20	701510010001	Lock Washer	10 GB93	32	
21	750102000002	Track Roller Assembly	KM1743	20	
22	701508022001	Lock Washer	22 GB/T1230	80	
23	701103022007	Hexagon Cap Screw	M22X120-10.9 GB5782	80	



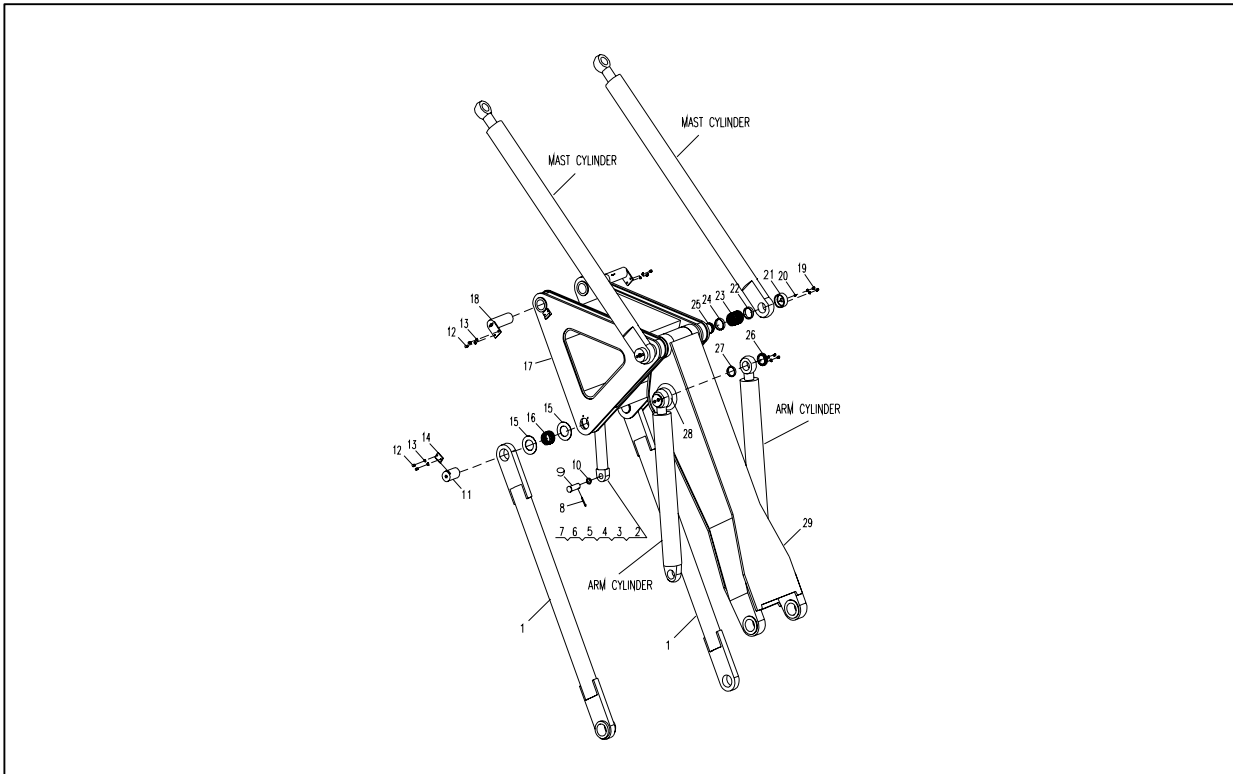
UNDERCARRIAGE

ITEM	PART NUMBER	PART NAME	SPECIFICATION	QTY	REMARK
1	803602010000	Right Frame		1	
2	701104010004	Tap Bolt	M10X25-8.8 GB5783	30	
3	701510010001	Lock Washer	10 GB93	30	
4	302030203081	Cover Plate(1)		2	
5	701704060001	Clevis Pin	60X150 GB882	6	
6	701703010001	Cotter Pin	10X80 GB91	6	
7	307990504002	Carrier Roller Block		2	
8	701103012023	Tap Bolt	M12X45-8.8 GB5782	8	
9	701510012001	Lock Washer	12 GB93	8	
10	803602040000	Right Cover		1	
11	803602080000	Rotating Axle		4	
12	307020606001	Positioning Rod		4	
13	803602030000	Hitch Pin		4	
14	803602020000	Middle Frame		1	
15	803602070000	Left Cover		1	
16	803602050000	Left Frame		1	
17	302030204129	Cover Plate(2)		1	
18	803602060000	Cylinder Support		1	
19	701103020022	Tap Bolt	M20X50-10.9 GB5782	6	
20	701510020001	Lock Washer	20 GB93	6	
21	304020503032	Clevis Pin		2	



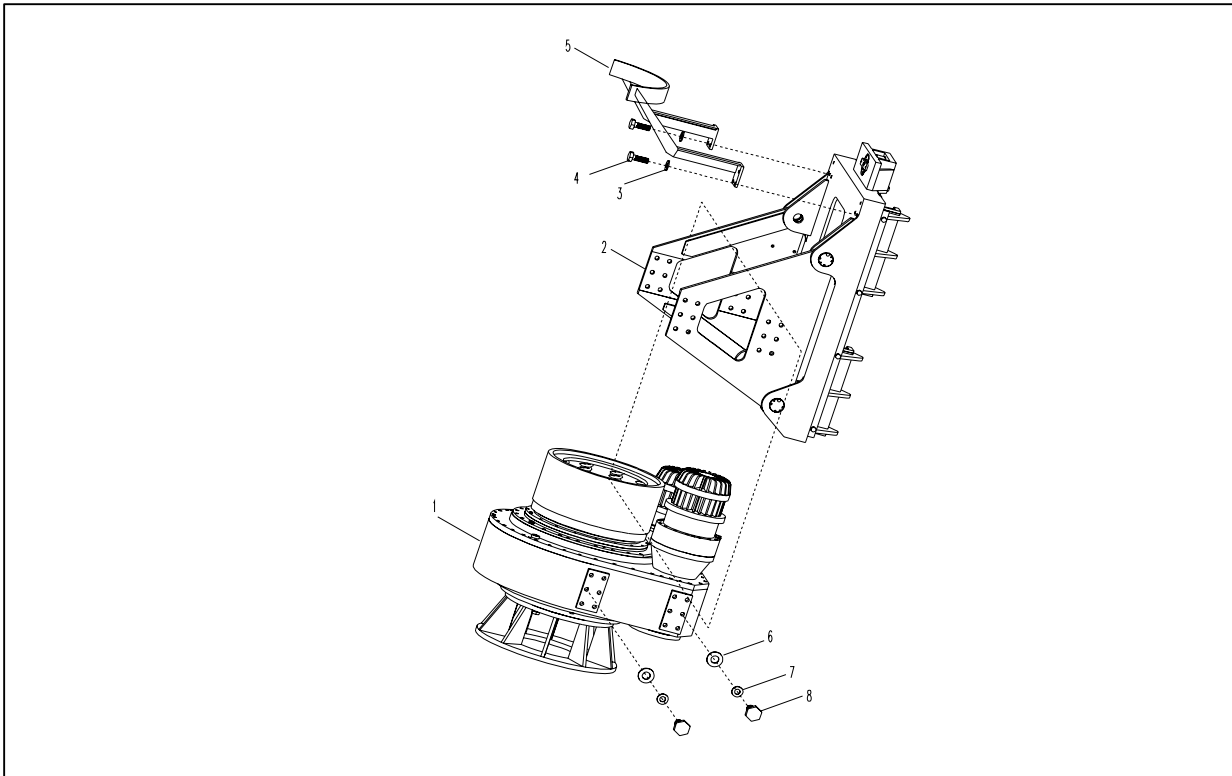
TURNTABLE

ITEM	PART NUMBER	PART NAME	DESCRIPTION	QTY	REMARK
1	701302010004	Tap Bolt	M10x25 GB70	12	
2	701510010001	Lock Washer	10 GB93	16	
3	302030202081	Keeper Plate		6	
4	304080604008	Shaft(1)		4	
5	703101010001	Oil Cup	M10X1 GB1152	6	
6	304080604007	Shaft(2)		2	
7	305060700003	Donut		4	
8	803603010000	Turntable Frame			
9	302520202021	Plate		1	
10	304080402004	Bolt(for Central Rotating Connection)		1	
11	701507018002	Lock Washer	18 GB97	20	
12	701107018002	Tap Bolt	M18x60-8.8 GB32.1	20	
13	750301000023	Speed Reducer	GFB36T3 i=67.9	1	
14	302030007021	Lower Cover Plate(8)		1	
15	302030006036	Lower Cover Plate(7)		1	
16	302030007022	Lower Cover Plate(6)		1	
17	302030000246	Plate		2	
18	701315005001	Screw	M5X10 GB68	4	
19	302030000310	Grease Zerk Cover Plate		1	
20	803603050000	Grease Zerk Kit		1	
21	803603040000	Plate		1	
22	302030006037	Lower Cover Plate(5)		1	
23	302030006038	Lower Cover Plate(4)		1	
24	701103008017	Tap Bolt	M8x25 GB5782	83	
25	701510008001	Lock Washer	8 GB93	83	
26	701417008001	Nut	M8 GB6175	83	
27	750550000005	Slewing Bearing	014.45.1600	1	
28	803603030000	Pin Assembly		1	
29	701103024023	Hexagon Cap Screw	M24x190-12.9 GB5782	45	
30	701417024001	Nut	M24-12 GB6175	45	
31	701508024002	Lock Washer	24 GB/T1230	90	
32	701103024022	Hexagon Cap Screw	M24x140-12.9 GB5782	45	



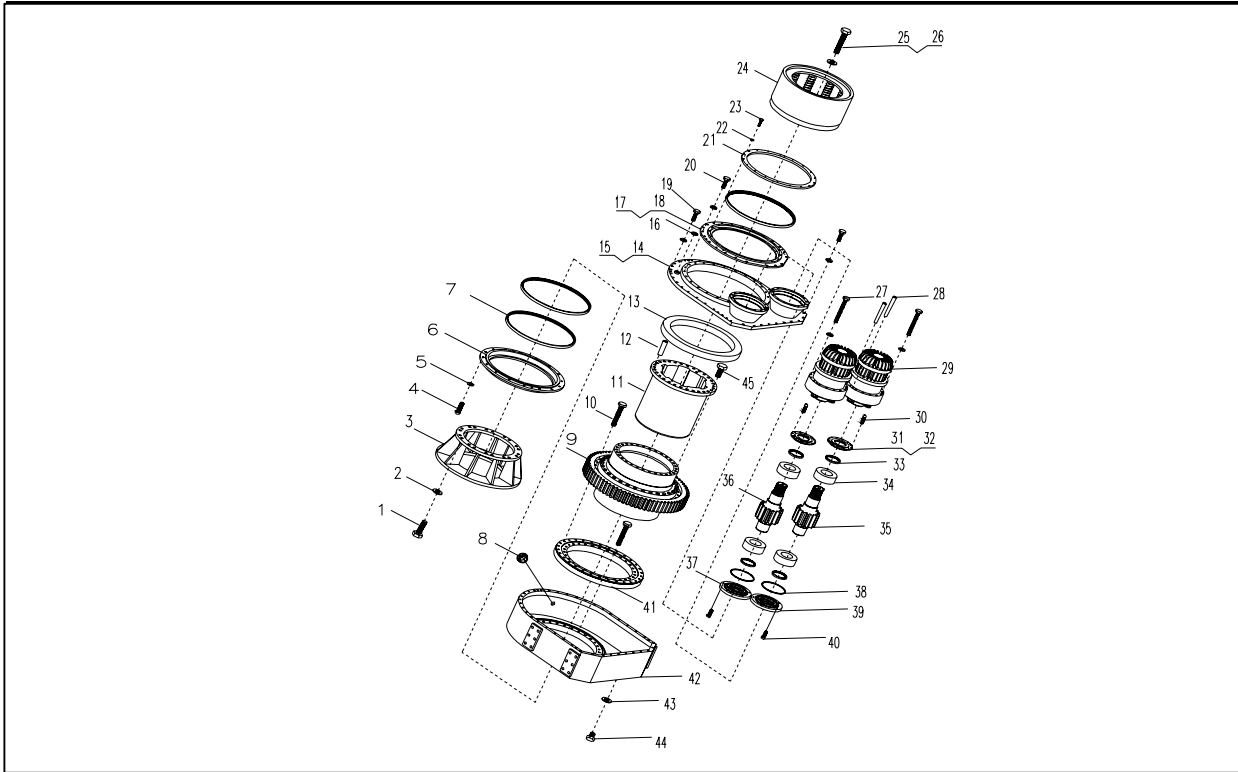
PARALLELOGRAM SYSTEM

ITEM	PART NUMBER	PART NAME	SPECIFICATION	QTY	REMARK
1	803604030000	Link Rod		2	
2	803604040001	Pull Rod		1	
3	305040000023	Sleeve		1	
4	304020000023	Shaft(2)		1	
5	701514068001	Stop Washer	68 GB893	1	
6	702301040001	Bearing	GEG40ES GB9163	1	
7	703101006001	Oil Cup	M6X1 GB1152	1	
8	701703010001	Cotter Pin	10x80 GB91	2	
9	304020000020	Pin		1	
10	750502000068	Bearing	JDB50X40X50	1	
11	304080603005	Shaft(E)		2	
12	701103012015	Tap Bolt	M12X25 GB5782	12	
13	701510012001	Lock Washer	12 GB93	16	
14	302030202072	Keeper Plate(2)		2	
15	305070700020	Adjustable Washer		4	
16	750502000017	Bearing	JDB-1-100X120X80	2	
17	803604010000	Triangle Frame		1	
18	803604050000	Shaft(A)		2	
19	701103012021	Tap Bolt	M12X30 GB5782	4	
20	703101010001	Oil Cup	M10X1 GB1152	6	
21	305060601035	Sleeve		2	
22	305070600012	Snap Ring		2	
23	750502000016	Bearing	JDB-1-100X120X140	6	
24	305060600019	Sleeve		2	
25	304080607003	Shaft(B)		1	
26	305030600010	Cover		2	
27	305070600054	Washer		2	
28	304080606002	Shaf (C)		1	
29	803604020000	Movable Arm Assembly		1	



XDLT20 ROTARY HEAD

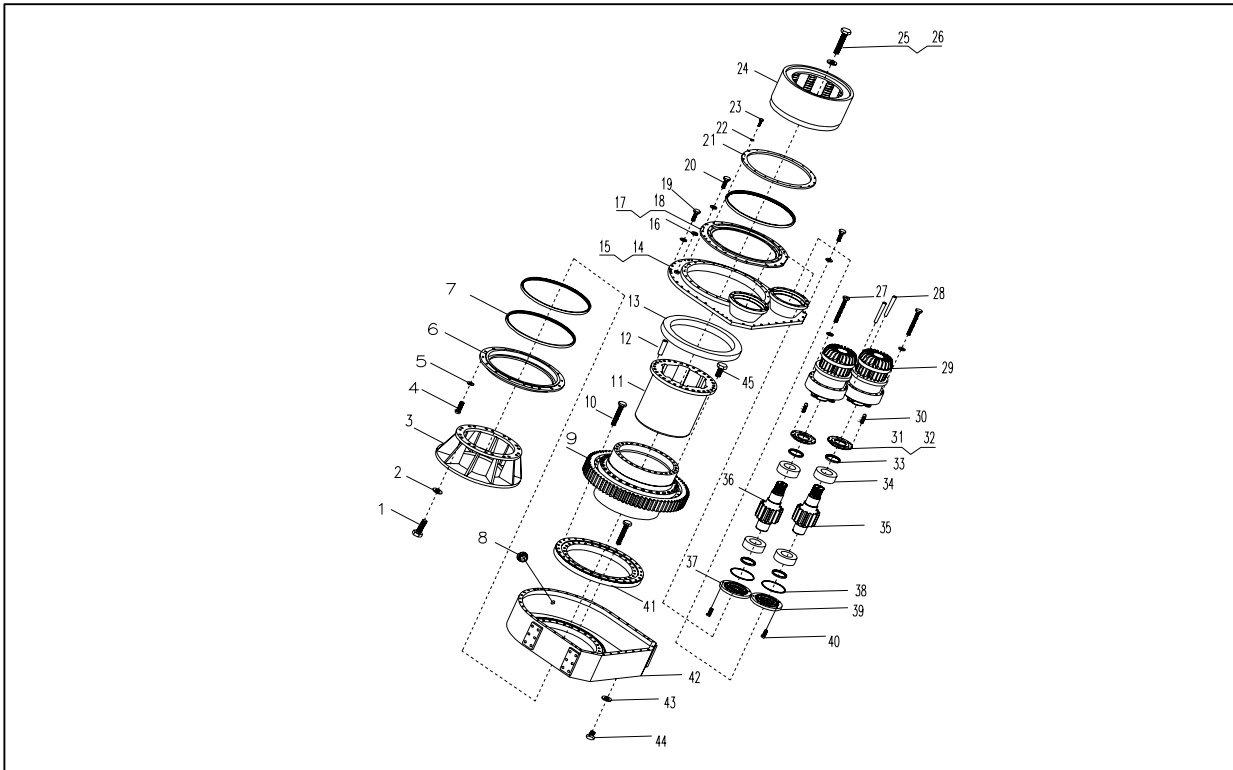
ITEM	PART NUMBER	PART NAME	SPECIFICATION	QTY	REMARK
1	80900100000	Rotator		1	
2	80900200000	Slide Frame		1	
3	701103016006	Hexagon Cap Screw	M16X45 GB5782	6	
4	701510016001	Lock Washer	16 GB93	6	
5	80900300000	Protection Bracket		1	
6	701501024001	Flat Washer	24 GB95	24	
7	701510024001	Flat Washer	24 GB93	24	
8	701103024010	Hexagon Cap Screw	M24X60-8.8 GB5782	24	



ROTATOR

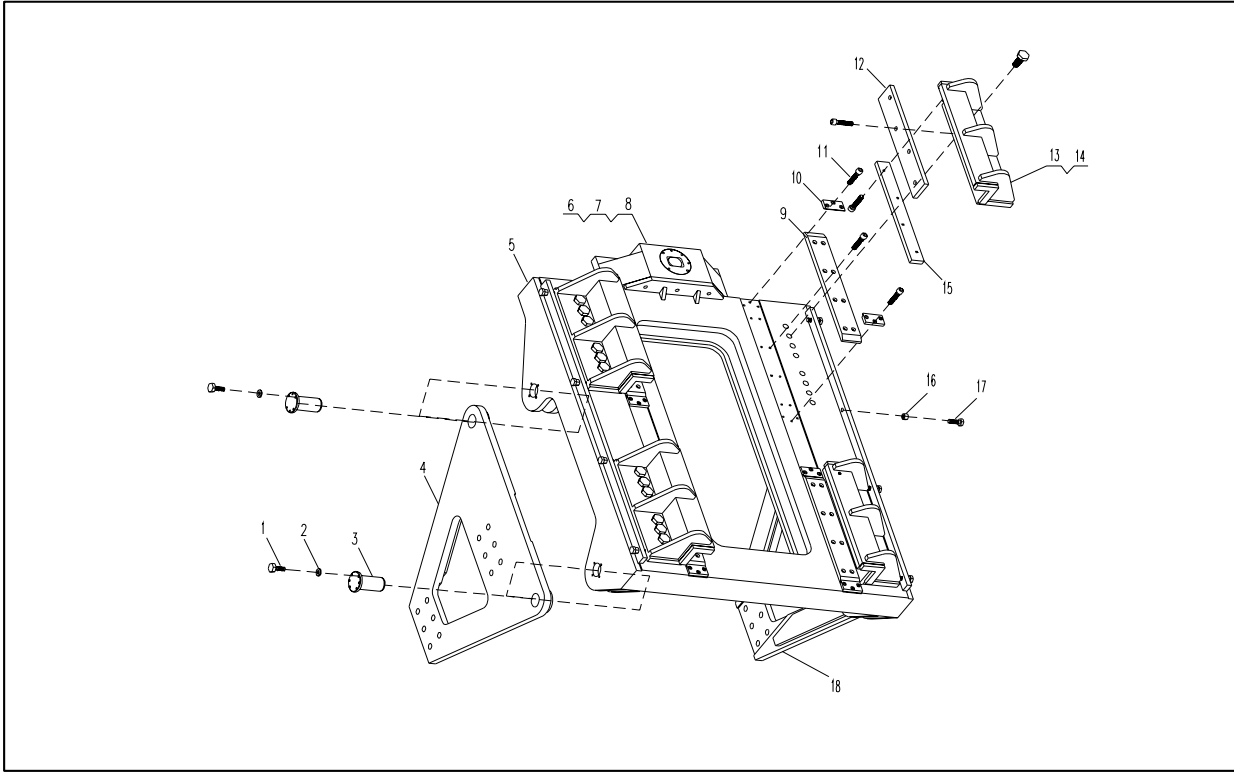
ITEM	PART NUMBER	PART NAME	SPECIFICATION	QTY	REMARK
1	701101024001	Tap Bolt	M24X75-4.8 GB5780	20	
2	701510024001	Lock Washer	24 GB93	40	
3	809001010000	Drive Clutch Rotor Assembly		1	
4	701101016013	Tap Bolt	M16X55 GB5780	16	
5	701510016001	Lock Washer	16 GB93	68	
6	305071001007	Lower Flange		1	
7	730653000005	Oil Seal	AB6330-E5	3	
8	703401032001	Oil Indicator	B32 JB/T7941.2	1	
9	809001020000	Gear Assembly		1	
10	701103020004	Tap Bolt	M20X120-8.8 GB5782	60	
11	305061005001	Driving Sleeve		1	
12	701707025001	Pin	25x95 GB118	3	
13	750552000009	Bearing	LYC 618/670	1	
14	809001040100	Case Cover		1	
15	302490007005	Adjustable Washer		1	
16	730402000024	Air Filter	PAF1-35-45-40L	1	
17	305071000022	Upper Flange		1	
18	302010006001	Adjustable Washer		1	
19	701103016030	Tap Bolt	M16X65-12.9 GB5782	38	
20	701103016032	Tap Bolt	M16X50-10.9 GB5782	22	
21	305021000018	Upper Case Cover		1	
22	701510008001	Lock Washer	8 GB93	18	
23	701101008005	Tap Bolt	M8X35 GB5780	18	
24	809001030000	Buffering Assembly		1	
25	701107024001	Tap Bolt	M24X125 GB32.1	20	
26	301020003003	Tightening wire		10	
27	701108016001	Tap Bolt	M16X140-8.8 GB5787	30	
28	701706016001	Pin	16X145 GB120	6	
29	750301000024	Speed Reducer	PS065+EM/250/EF	2	
30	701302010008	Socket Head Cap Screw	8 M10X40 GB70	19	
31	305020800042	Gear Box Upper Cover		2	
32	302010004006	Adjustable Washer		2	
33	730653000004	Oil Seal	AC4346-F0	3	

34	750552000008	Spherical Roller Bearing	2322EAS.M	4
35	304030805001	Gear Shaft(1)		1
36	304030805002	Gear shaft(2)		1
37	305020801001	Gear Shaft Lower Cover(1)		1



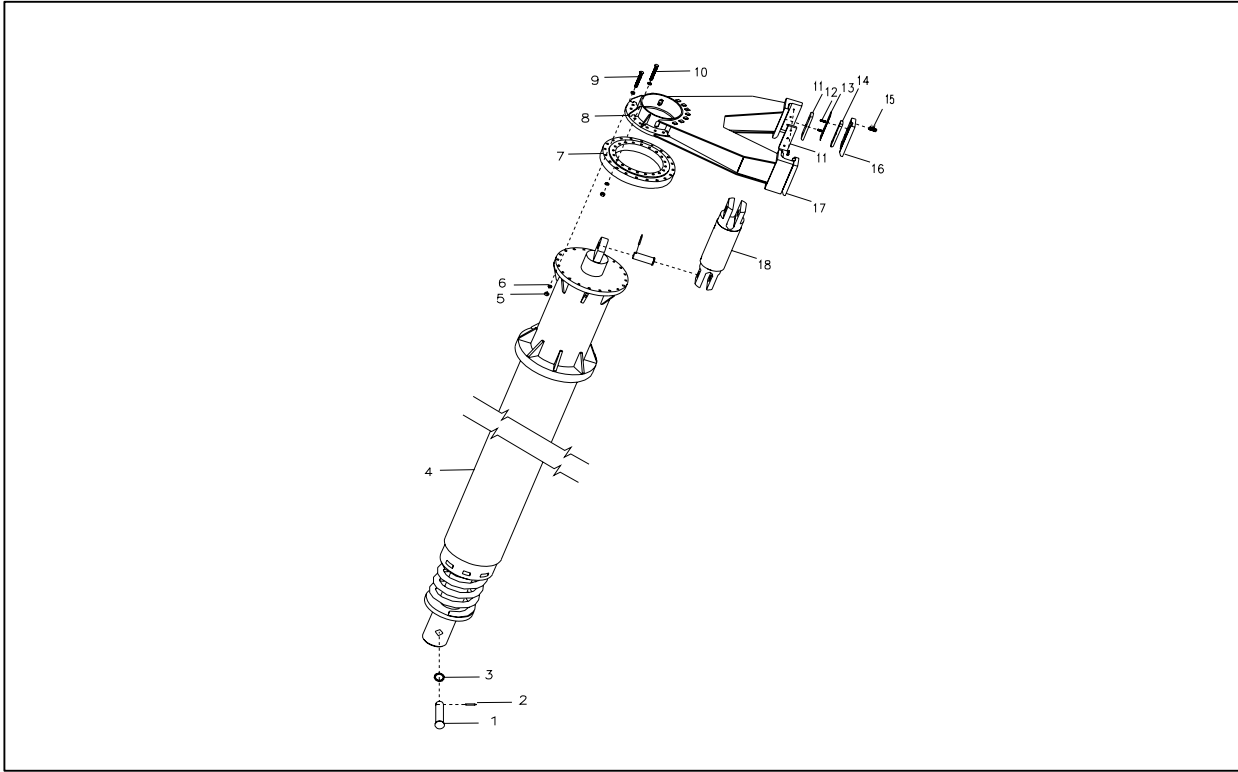
ROTATOR

ITEM	PART NUMBER	PART NAME	SPECIFICATION	QTY	REMARK
38	703201236001	O-Ring	O-Ring 236×5.3 GB3452.1	2	
39	305030801002	Gear Shaft Lower Cover(2)		1	
40	701302012006	Hexagon Cap Screw	M12X35 GB70	20	
41	750550000014	Rotating Support	010.30.800.130.04.11F1	1	
42	809001040200	Power House		1	
43	703202022001	Lock Washer	22 JB982	2	
44	703203022001	Screw Plug	M22X1.5 JB1000	2	
45	701103024025	Hexagon Cap Screw	M24X75-10.9GB5782	7	



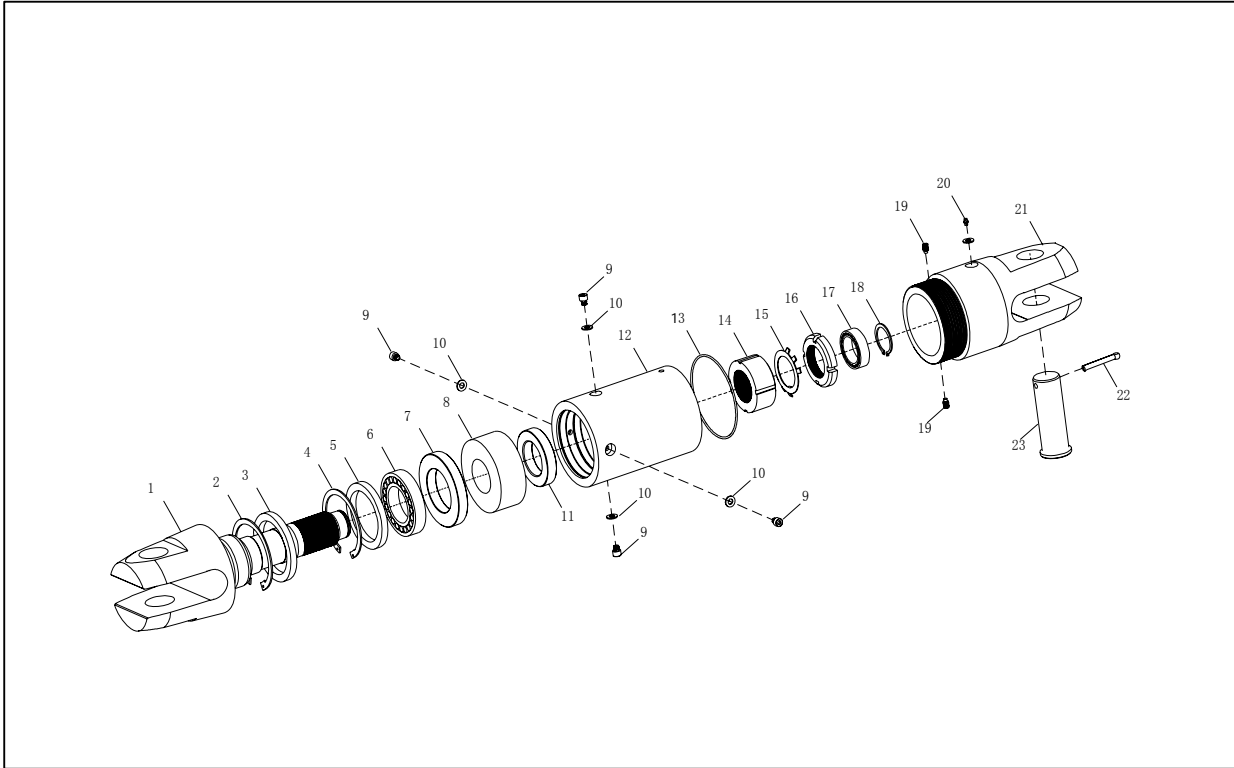
SLIDING FRAME

ITEM	PART NUMBER	PART NAME	SPECIFICATION	QTY	REMARK
1	701101008003	Tap Bolt	M8X25-4.8 GB5780	16	
2	701510008001	Lock Washer	8-ZnD GB93	20	
3	304020502013	Roll Pin		4	
4	809002050000	Right Frame		1	
5	809002030000	Sliding Frame		1	
6	302020302008	Gusset		2	
7	809002020000	Moving Connector		1	
8	302490305056	Plate		1	
9	302030305131	Wear-resisting Plate(A)		4	
10	302030202111	Plate		8	
11	701310008009	Socket Head Cap Screw	M8X40 GB819	48	
12	302030305132	Wear-resisting Plate(B)		4	
13	809002010000	Sliding Bracket Assembly		4	
14	302030004024	Sliding Bracket Adjustable Plate		16	
15	302030305133	Wear-resisting Plate (C)		4	
16	701401016002	Nut	M16 GB41	8	
17	701101016014	Hexagon Cap Screw	M16X50 GB5780	8	
18	809002040000	Left Frame		1	



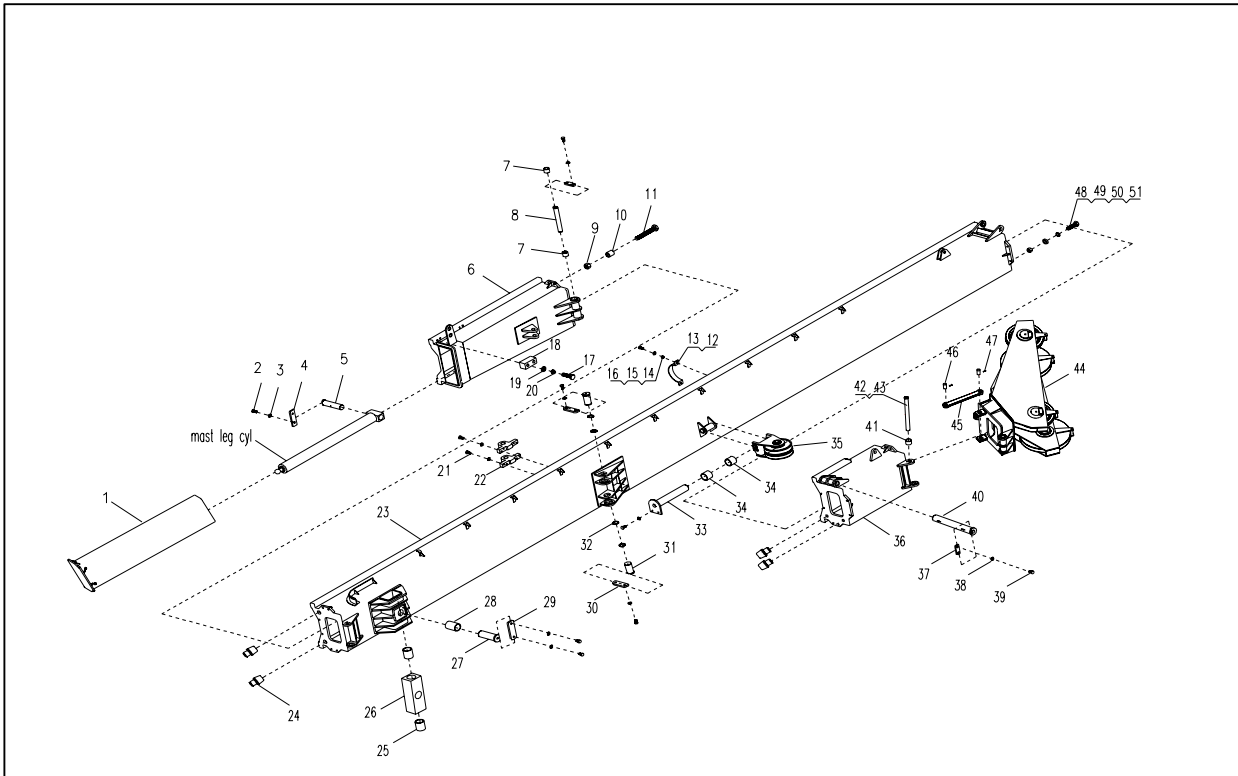
KELLY BAR

ITEM	PART NUMBER	PART NAME	SPECIFICATION	QTY	REMARK
1	304020504016	Pin		1	
2	701703010002	Cotter Pin	10X100 GB91	1	
3	305070500043	Stop Washer		1	
4	750609000014	Friction Kelly Bar	5X13.4meters	1	
4	750609000015	Inter Locking Kelly Bar	5X13.4meters	1	
5	701412016001	Nut	M16 GB1229	40	
6	701508016001	Lock Washer	16 GB1230	80	
7	750550000006	Bearing Frame	010.30.500	1	
8	803605010000	A Frame		1	
9	701171016008	Tap Bolt	M16X140-10.9 GB1228	20	
10	701171016007	Tap Bolt	M16X130-10.9 GB1228	20	
11	307010303007	Sliding Block		4	
12	701320010001	Tap Bolt	M10X30 GB2673	18	
13	302030004019	Washer		16	
14	307010303006	Sliding Block		2	
15	701302020048	Tap Bolt	M20X45-10.9 GB70	8	
16	307010404006	Plate		1	
17	307010404005	Plate		1	
18	803605020001	Swivel		1	



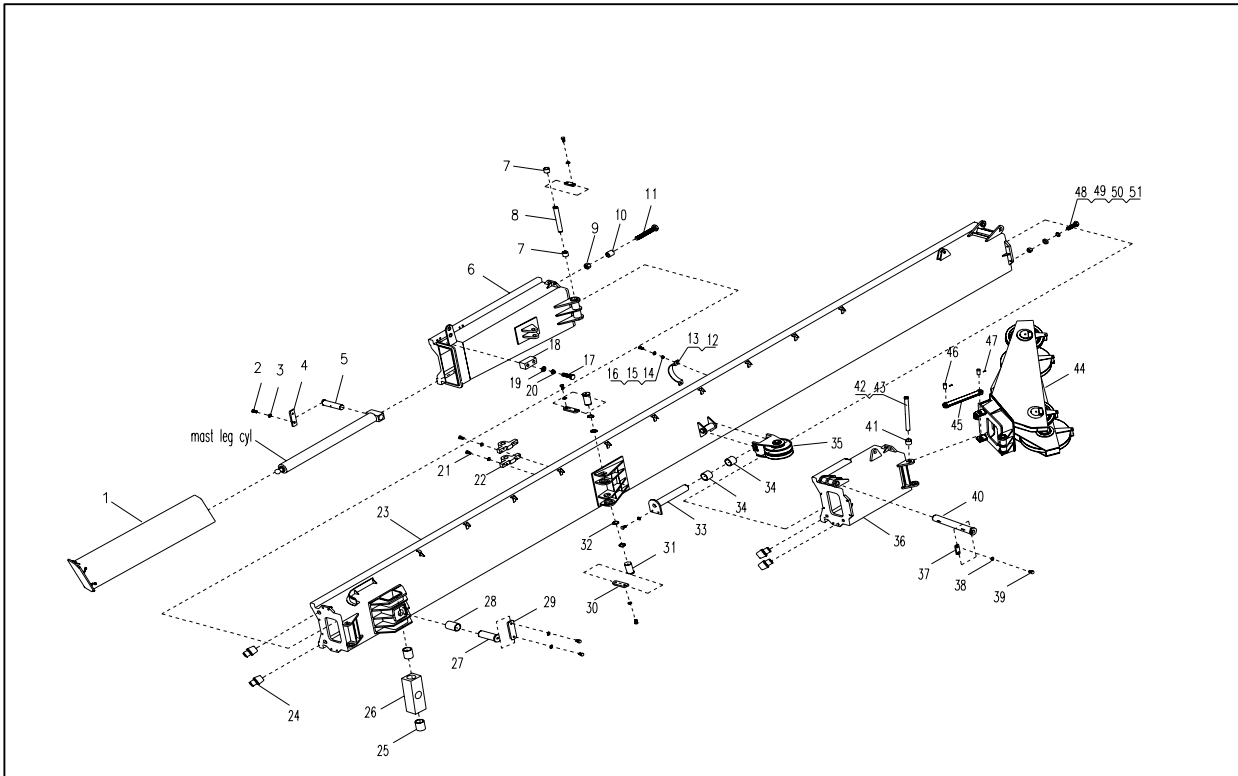
SWIVEL

ITEM	PART NUMBER	PART NAME	SPECIFICATION	QTY	REMARK
1	304030705002	Upper Connector		1	
2	701514140004	Retaining Ring	140 GB893	1	
3	730653000010	Oil Seal	110X140X14	1	
4	701514135001	Retaining Ring	135 GB893	1	
5	730653000011	Oil Seal	105X135X14	1	
6	702006075001	Bearing	6215 GB/T276	1	
7	305060700002	Steel Ring		1	
8	750552000007	Thrust Ball Bearing	51414FP	1	
9	701302010001	Tap Bolt	M10x10 GB70	4	
10	703207010001	Rubber Oil Seal	10 HG4-330-66	6	
11	305060600034	Cover		1	
12	305060703009	Case		1	
13	703201165002	O-ring	165X3.55 GB3452.1	1	
14	304100501011	Nut		1	
15	701516068001	External Tooth Lock Washer	68 GB858	1	
16	304100500007	Nut		1	
17	702006055001	Bearing	6211 GB/T276	1	
18	701512055001	Retaining Ring	55 GB894.1	1	
19	701318010001	Socket Set Screw	M10x18 GB79	2	
20	703101010001	Oil Cup	M10x1 GB1152	1	
21	304030704002	Lower Connector		1	
22	701703010001	Cotter Pin	10x80 GB91	1	
23	304020503068	Pin		1	



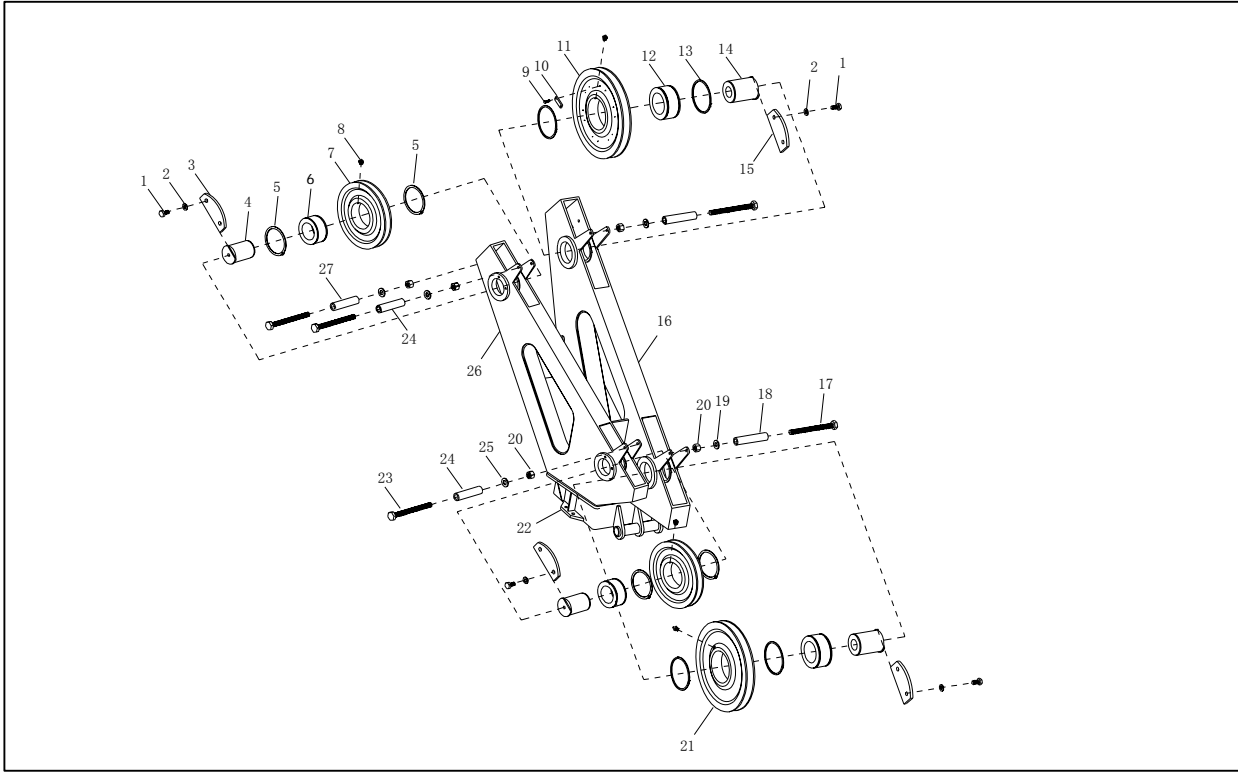
MAST

ITEM	PART NUMBER	PART NAME	SPECIFICATION	QTY	REMARK
1	803606010000	Supporting Leg Assembly		1	
2	701102012001	Tap Bolt	M12x25 GB5781	10	
3	701510012001	Lock Washer	12 GB93	10	
4	302030202100	Keeper Plate		1	
5	304020504019	Pin		1	
6	803606020000	Mast(1)		1	
7	750552000003	Bearing	JDB-1-60x74x60	2	
8	304020505011	Pin		1	
9	701406024002	Nut	M24 GB6170	6	
10	305060400023	Sleeve		6	
11	701103024024	Tap Bolt	M24x180 GB5782	6	
12	302990204010	Pipe Clamp		1	
13	302030305112	Rubber Cushion		1	
14	701102016005	Tap Bolt	M16x40 GB5781	2	
15	701501016002	Lock Washer	16 GB95	2	
16	701510016001	Lock Washer	16 GB93	6	
17	701103020013	Tap Bolt	M20x80 GB5782	12	
18	307010502003	Keeper Plate		2	
19	701510020001	Lock Washer	20 GB93	16	
20	701501020001	Lock Washer	20 GB95	16	
21	701103020013	Tap Bolt	M20x80 GB5782	12	
22	302490504007	Ear Plate		2	
23	803606030000	Mast(2)		1	
24	304020402008	Pin		6	
25	750502000016	Bushing	JDB-1-100X120X140	2	
26	307990705002	Square Shaft		1	
27	304020604003	Pin		1	
28	750552000004	Bearing	JDB-1-100x120x170	1	
29	302030203116	Keeper Plate		1	
30	302030202100	Keeper Plate		2	
31	304020603005	Pin		2	
32	305060600032	Sleeve		4	
33	803606130000	Pin		1	
34	750552000005	Bearing	JDB-1-50x60x50	6	
35	803606100000	Pulley		1	
36	803606140000	Mast(3)		1	
37	302030201068	Keeper Plate		1	



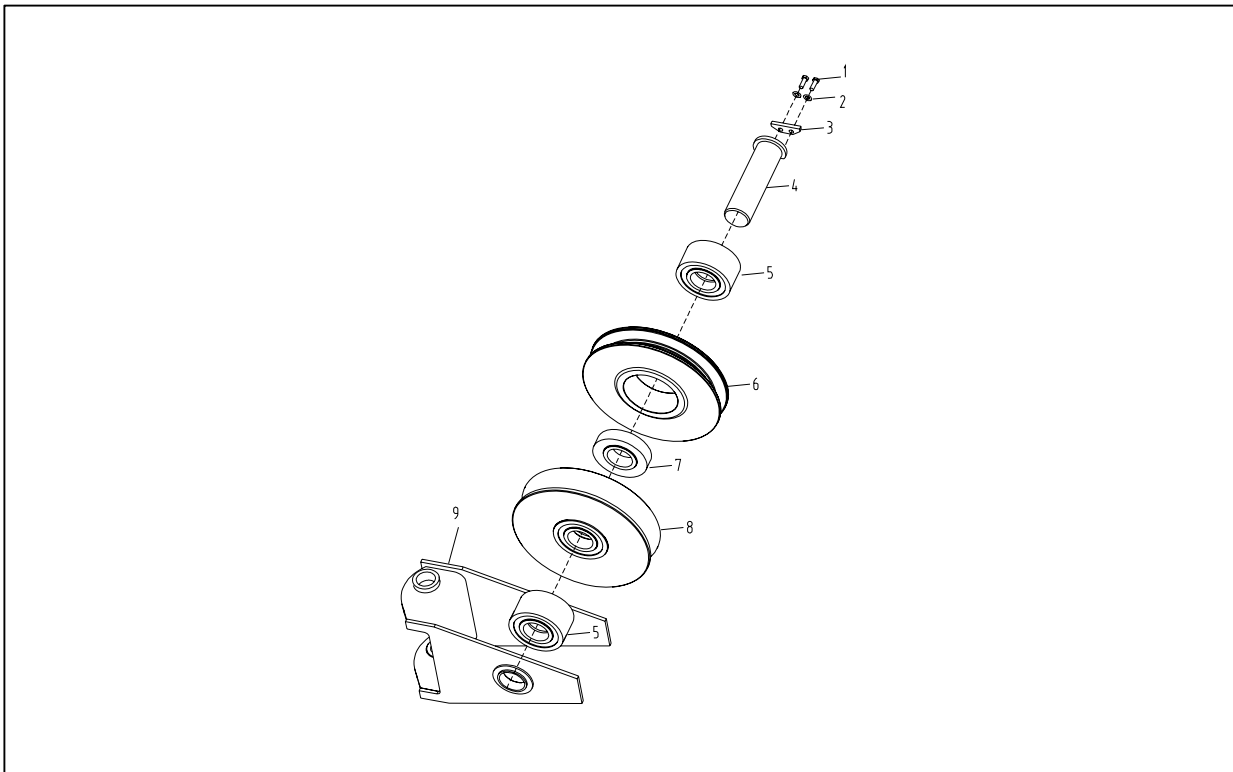
MAST

ITEM	PART NUMBER	PART NAME	SPECIFICATION	QTY	REMARK
38	701510008001	Lock Washer	8 GB93	6	
39	701102008002	Tap Bolt	M8x25 GB5781	6	
40	304020504023	Pin		1	
41	750552000005	Bearing	JDB-1-50x60x50	6	
42	304020505010	Pin		1	
43	703101010001	Grease Zerk	M10x1 GB1152	9	
44	803606040000	Cathead		1	
45	304090505002	Link Rod		1	
46	304020402007	Pin		2	
47	701703008003	Cotter Pin	8x100 GB91	2	
48	701103020020	Tap Bolt	M20x90 GB5782	12	
49	701501020001	Lock Washer	20 GB95	16	
50	701510020001	Lock Washer	20 GB93	16	
51	701406020002	Nut	M20 GB6170	12	



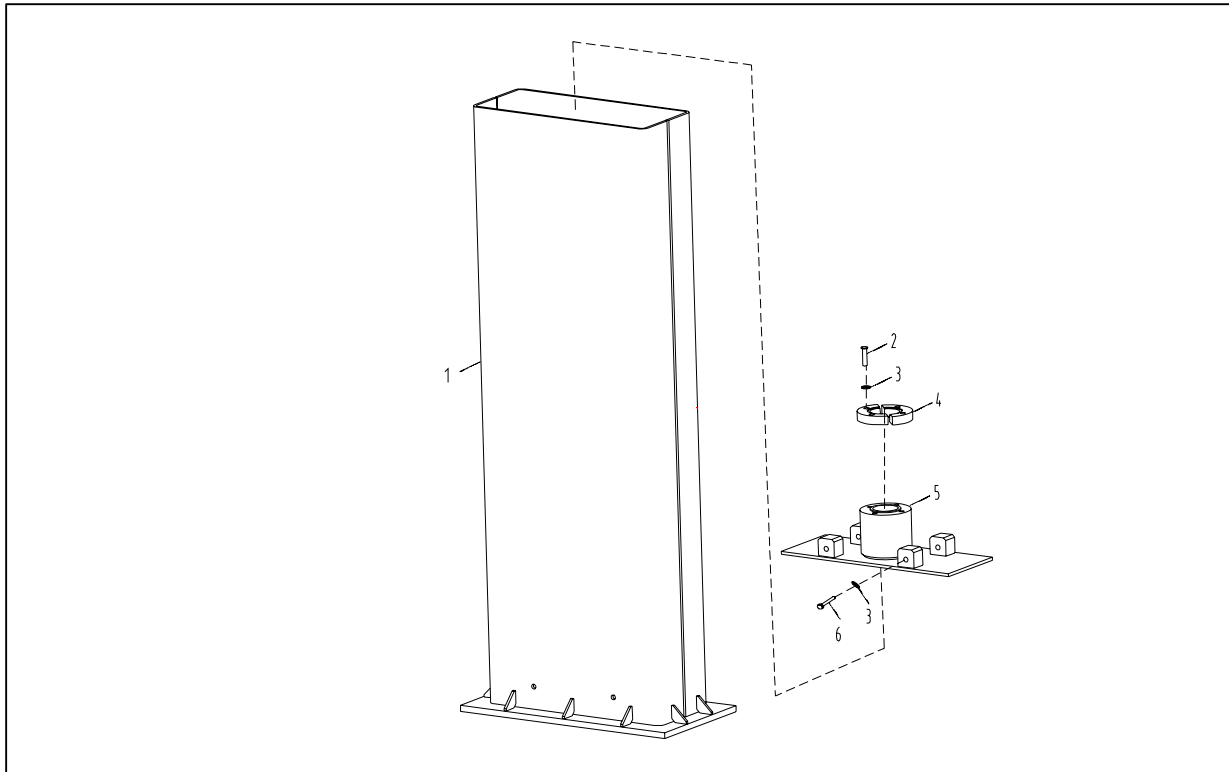
CAT HEAD

ITEM	PART NUMBER	PART NAME	SPECIFICATION	QTY	REMARK
1	701103012015	Tap Bolt	M12X25-8.8 GB5782	4	
2	701501012001	Flat Washer	12-H59 GB95	4	
3	302490203078	Keeper Plate		2	
4	304080603007	Auxiliary Sheave Shaft		2	
5	701512200001	Stop Washer	200 GB894.1	4	
6	750552000002	Roller Bearing	NNF5026C.2LS.V	2	
7	306990705001	Auxiliary Sheave		2	
8	703101010001	Grease Zerk	M10X1(steel) GB1152	4	
9	701315008001	Tap Bolt	M8X20-8.8 GB68	12	
10	302030202094	Drill Depth Sensor		6	
11	306990805001	Front Main Sheave		1	
12	750552000001	Roller Bearing	NNF5032B.2LS.V	2	
13	305070800026	Stop Washer		240	
14	304080703003	Main Sheave Shaft		1	
15	302490203079	Keeper Plate		2	
16	803606040110	Main Sheave Frame		1	
17	701103016019	Tap Bolt	M16X180-8.8 GB5782	2	
18	305060402003	Sleeve		2	
19	701501016002	Flat Washer	16-H59 GB95	2	
20	701406016002	Nut	M16-8H-10 GB6170	5	
21	306990805002	Rear Main Sheave		1	
22	803606040300	Base		1	
23	701103016018	Tap Bolt	M16X160-8.8 GB5782	3	
24	305060402002	Sleeve		2	
25	701501016003	Lock Washer	16 GB95	3	
26	803606040210	Auxiliary Sheave Frame		1	
27	305060000018	Sleeve		1	



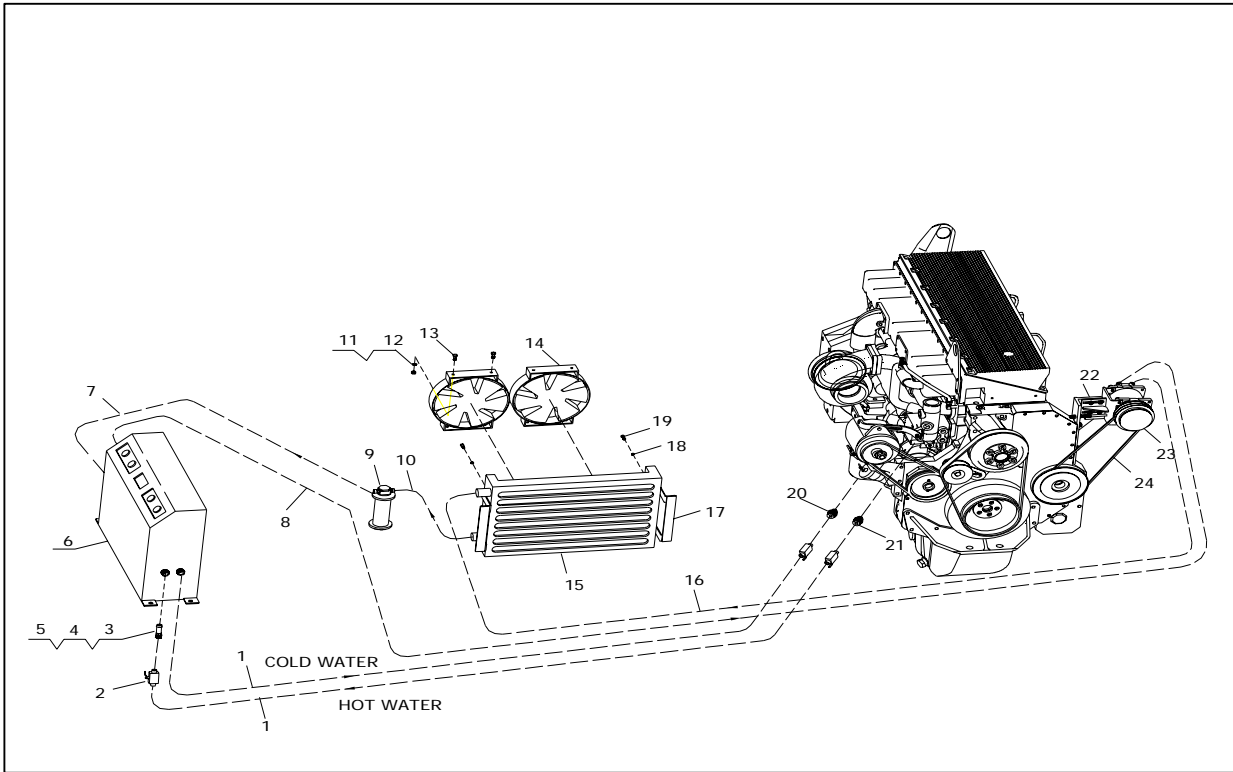
SHEAVE

ITEM	PART NUMBER	PART NAME	SPECIFICATION	QTY	REMARK
1	701102010005	Tap Bolt	M10x30 GB5781	4	
2	701510010001	Flat Washer	10 GB93	4	
3	305070600057	Keeper Plate		1	
4	304020504018	Pin		1	
5	702006070001	Bearing	6314-2RS GB/T276	4	
6	306990704002	Main Sheave		1	
7	305060600029	Sleeve		1	
8	306990704001	Auxiliary Sheave		1	
9	803606100100	Sheave Frame		1	



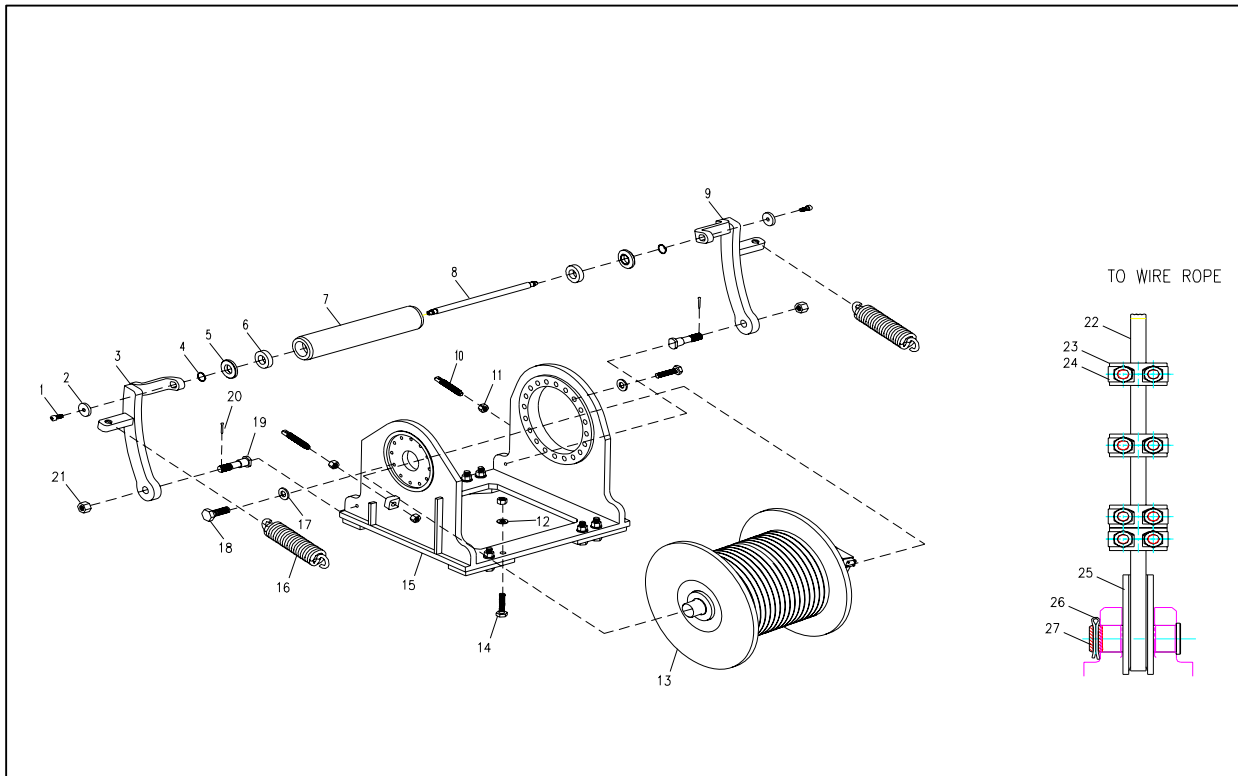
MAST FOOT ASSEMBLY

ITEM	PART NUMBER	PART NAME	SPECIFICATION	QTY	REMARK
1	803606010100	Supporting Leg		1	
2	701103016023	Tap Bolt	M16X50 GB5782	4	
3	701510016001	Lock Washer	16 GB93	8	
4	305030700018	Upper Cover		1	
5	803606010200	Leg Base		1	
6	701302016010	Tap Bolt	M16X50 GB70	4	



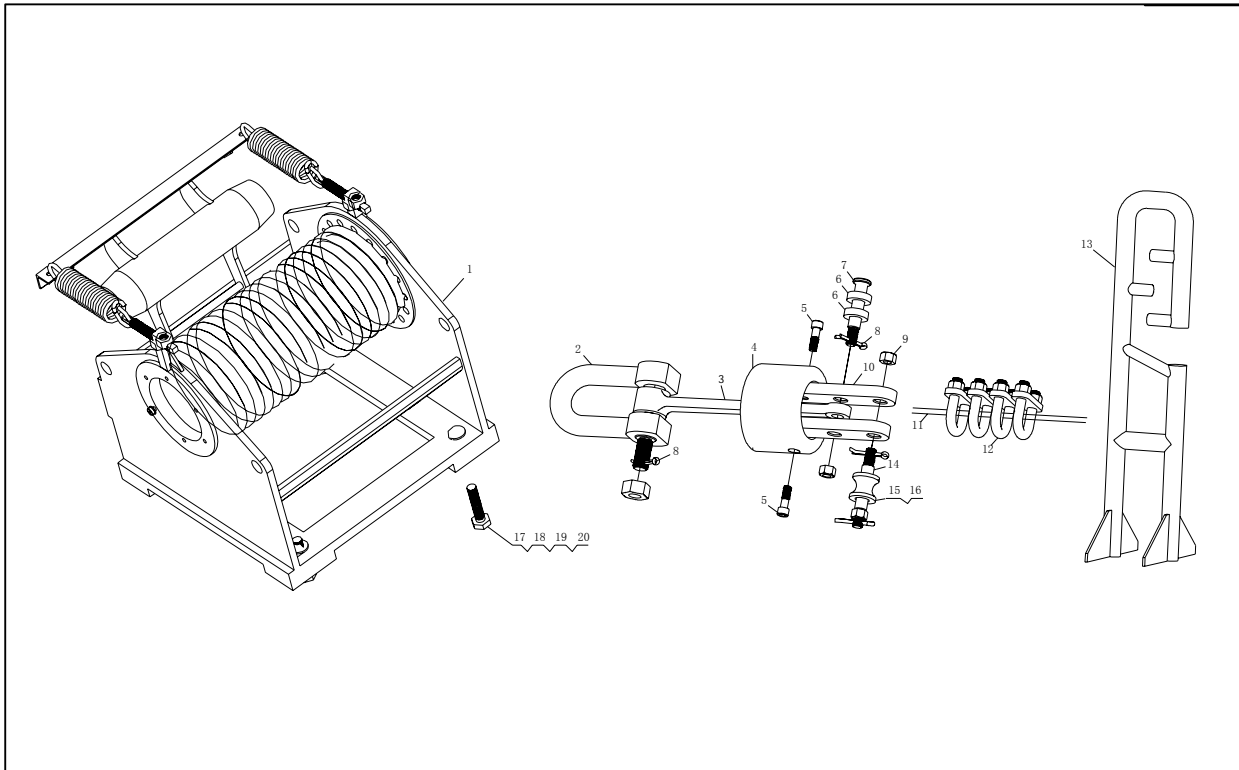
A/C SYSTEM

ITEM	PART NUMBER	PART NAME	SPECIFICATION	QTY	REMARK
1	320020310001	Water Hose	Φ16/L=6000	2	
2	751006000032	Ball Valve	φ10 Q11F-16T	3	
3	308010203044	Rubber Hose Connector		1	
4	308010203043	Valve Connector		1	
5	701901025001	Hose Clamp	φ16-25 JB/T8870	4	
6	720408000018	Evaporator	GQT14A-010	1	
7	730503000085	High Pressure Hose	GQT46B-012/L=4900	1	
8	730503000087	Low Pressure Hose	GQT46B-013/L=6000	1	
9	720408000017	Liquid Storage	6DT10-403	1	
10	730503000086	High Pressure Hose	GQT46B-011/L=600	1	
11	701406008001	Nut	M8 GB6170	8	
12	701510008001	Lock Washer	8 GB93	8	
13	701104008006	Tap Bolt	M8X25 GB5783	8	
14	720408000016	Condensation Motor	6DT10-300	2	
15	720408000015	Condenser	GQL-2F	1	
16	730503000048	High Pressure Hose	GQT46B-010/L=4700	1	
17	803607010000	Condenser Rack		1	
18	701510006001	Lock Washer	6 GB93	4	
19	701104006005	Tap Bolt	M6X25 GB5783	4	
20	308010203046	Cold Water Union		1	
21	308010203045	Hot Water Union		1	
22	803607020000	Compressor Rack		1	
23	720408000019	Compressor Rack	6DT10-102	1	
24	750004000068	Compressor Belt	17-520	1	



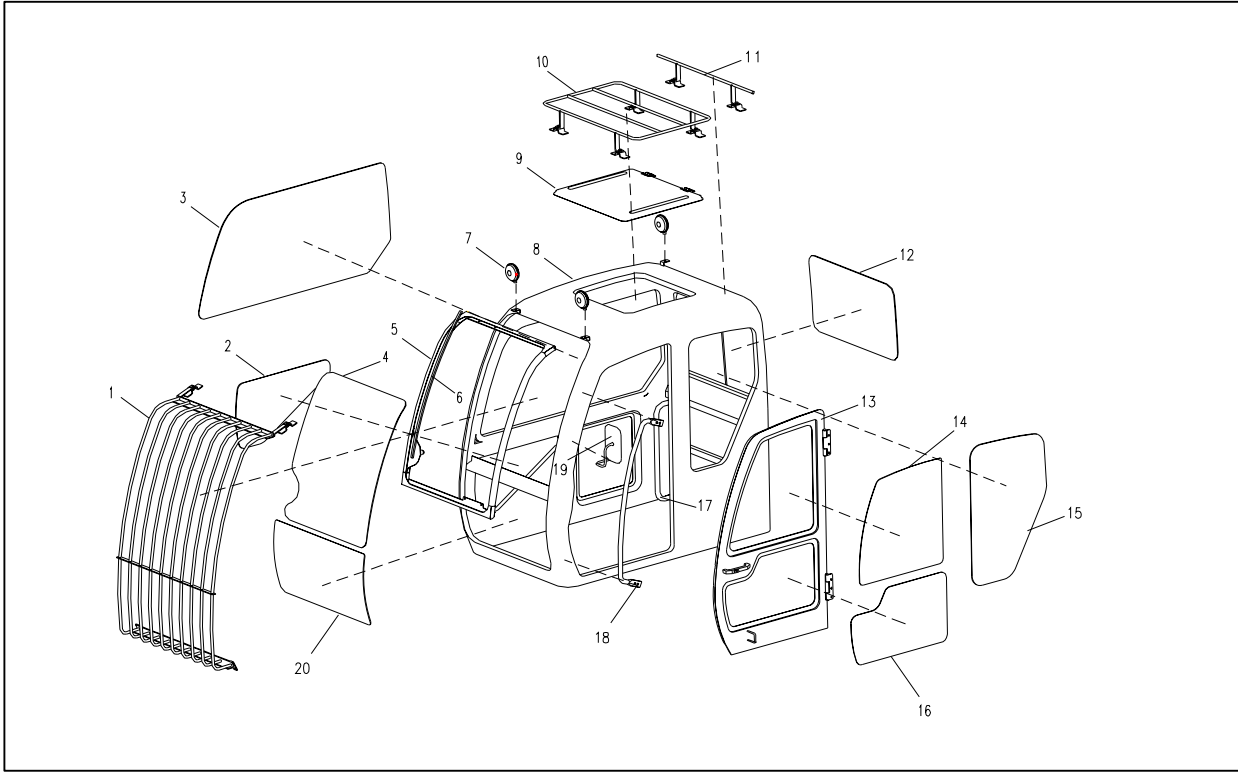
MAIN WINCH

ITEM	PART NUMBER	PART NAME	SPECIFICATION	QTY	REMARK
1	701302080006	Socket Head Cap Screw	M8X20-8.8 GB70	2	
2	305070400019	Flat Washer		2	
3	803614020100	Left Bracket		1	
4	701512025001	Lock Washer	25 GB894.1	2	
5	305060500015	End Cover		2	
6	702007025001	Bearing	180105-2RS GB279	2	
7	306990502004	Wire Rope Guide Roller		1	
8	304030405002	Shaft		1	
9	803614020200	Right Bracket		1	
10	304080303004	Adjustable Shaft		2	
11	701406024002	Nut	M24-10 GB6170	10	
12	701501024001	Flat Washer	24 GB95	28	
13	750301000025	Spool and Speed Reducer Assembly		1	
14	701103024026	Tap Bolt	M24X110-10.9 GB5782	28	
15	803614010000	Main Winch Frame		1	
16	301030403001	Tension Spring		2	
17	701501016003	Flat Washer	16 GB95	14	
18	701103016032	Tap Bolt	M16X50-10.9 GB5782	12	
19	304020301006	Pin		2	
20	701703003202	Cotter Pin	3.2X25 GB91	2	
21	701406016002	Nut	M16-10 GB6170	2	
22	704105028001	Wire Rope Guide Roller	28NAT18X19S+IWS1870ZS GB8918	1	
23	704103028001	Wire Rope Clamp	28-18KTH GB5976	4	
24	302030001019	Keeper Plate		8	
25	307990503006	Ring		1	
26	701703010001	Cotter Pin	10X80 GB91	1	
27	304020503049	Pin		1	



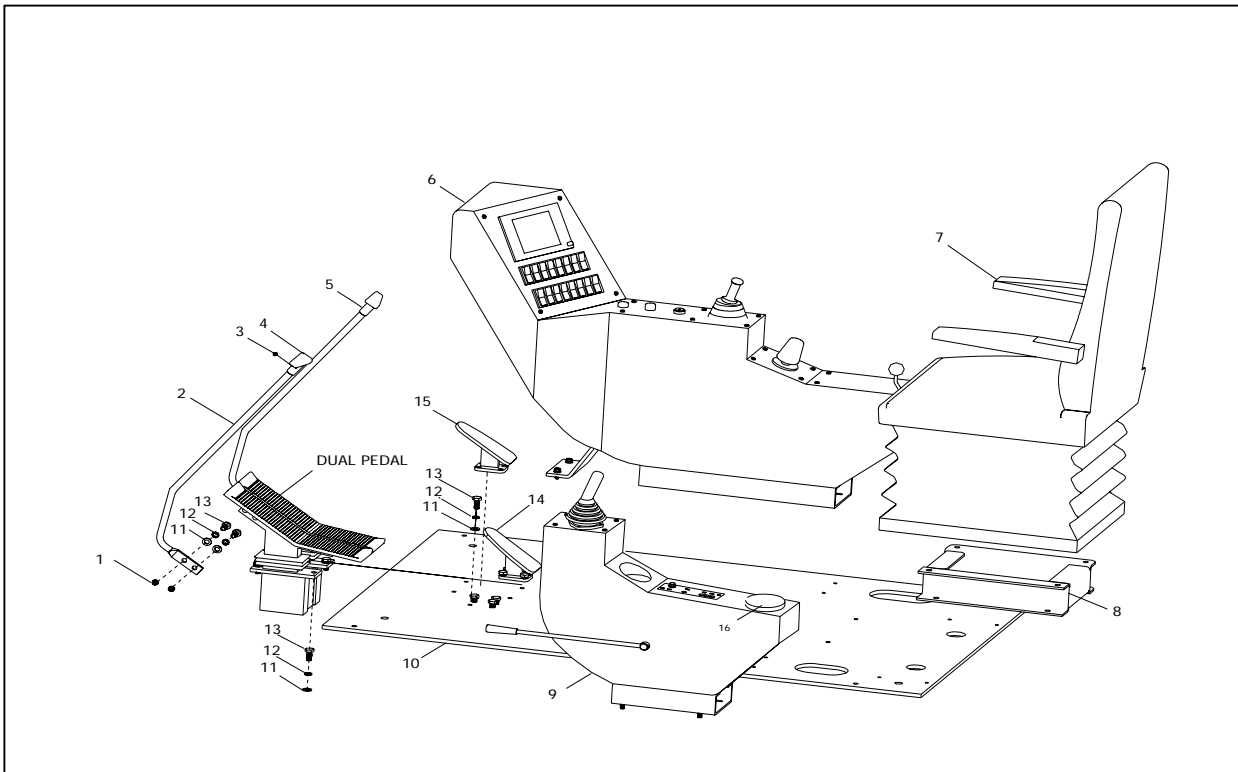
AUXILIARY WINCH

ITEM	PART NUMBER	PART NAME	SPECIFICATION	QTY	REMARK
1	73025000024	Aux. Winch Assembly	HCJ35-80-85-24-29	1	
2	704104009501	Shackle	9.5T GB10603	1	
3	304090504001	Linkage Rod		1	
4	305060703004	Counterweight		1	
5	701302012009	Socket Head Cap Screw	M12X40-8.8 GB70	2	
6	305060400021	Sleeve		2	
7	304020302001	Pin		1	
8	701703006302	Cotter Pin	6.3X50 GB91	4	
9	701406024002	Nut	M24-10-8H GB6170	3	
10	302490303054	Plate		2	
11	704105020001	Wire Rope	20NAT6X19+IWS1870ZZ GB8918	1m	
12	704103020001	Clip	20KTH GB5976	4	
13	803609010000	Frame		1	
14	304080302004	Shaft		1	
15	306990301001	Roller		1	
16	704106020001	Sleeve	20 GB5974.1	1	
17	701424024001	Nut	M24 GB6185	4	
18	701510024001	Lock Washer	24 GB93	4	
19	701502024001	Lock Washer	24 GB96	4	
20	701171024001	Hexagon Cap Screw	M24X100-10.9 GB1228	4	



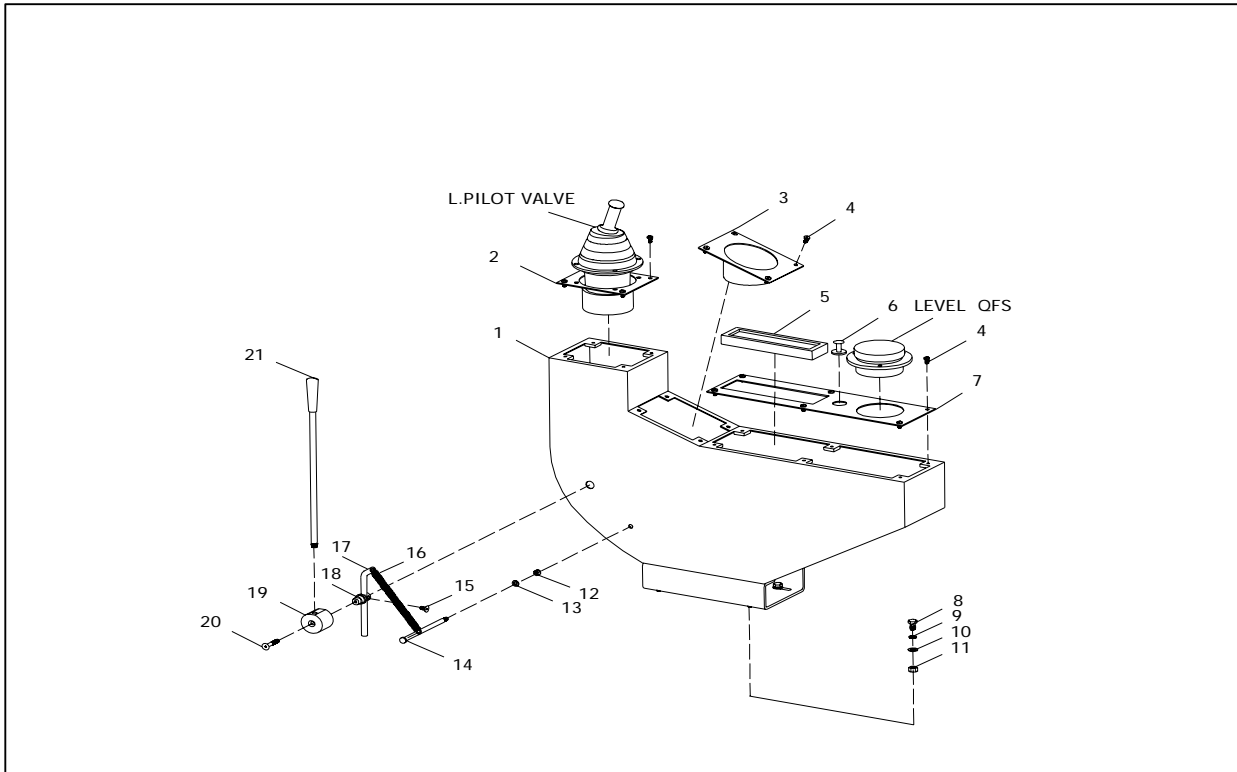
CABIN ASSEMBLY

POS.	COD.	PART NAME	名 称	QTY	REMARK
1	807207000000	Front Grill		1	
2	302490106006	Right Lower Glass		1	
3	302490108001	Right Upper Glass		1	
4	302550106007	Front Glass		1	
5	805103000000	Front Glass Mount		1	
6	720405000011	Wiper	ZD2230BAG-2/24V	1	
7	720412000032	Light	32-0534 24V70W	3	
8	807202010000	Cabin Structure		1	
9	805105000000	Sky Window		1	
10	807208000000	Top Grill		1	
11	807209000000	Top Grill		1	
12	302490106005	Left Rear Glass		1	
13	805101000000	Door Mount		1	
14	302490005001	Door Upper Glass		1	
15	302490106005	Left Rear Glass		1	
16	302490106013	Door Lower Glass		1	
17	320030306001	Railing		1	
18	320030307002	Railing		1	
19	790004000004	Rear Mirror		1	
20	302550106006	Front Lower Glass		1	



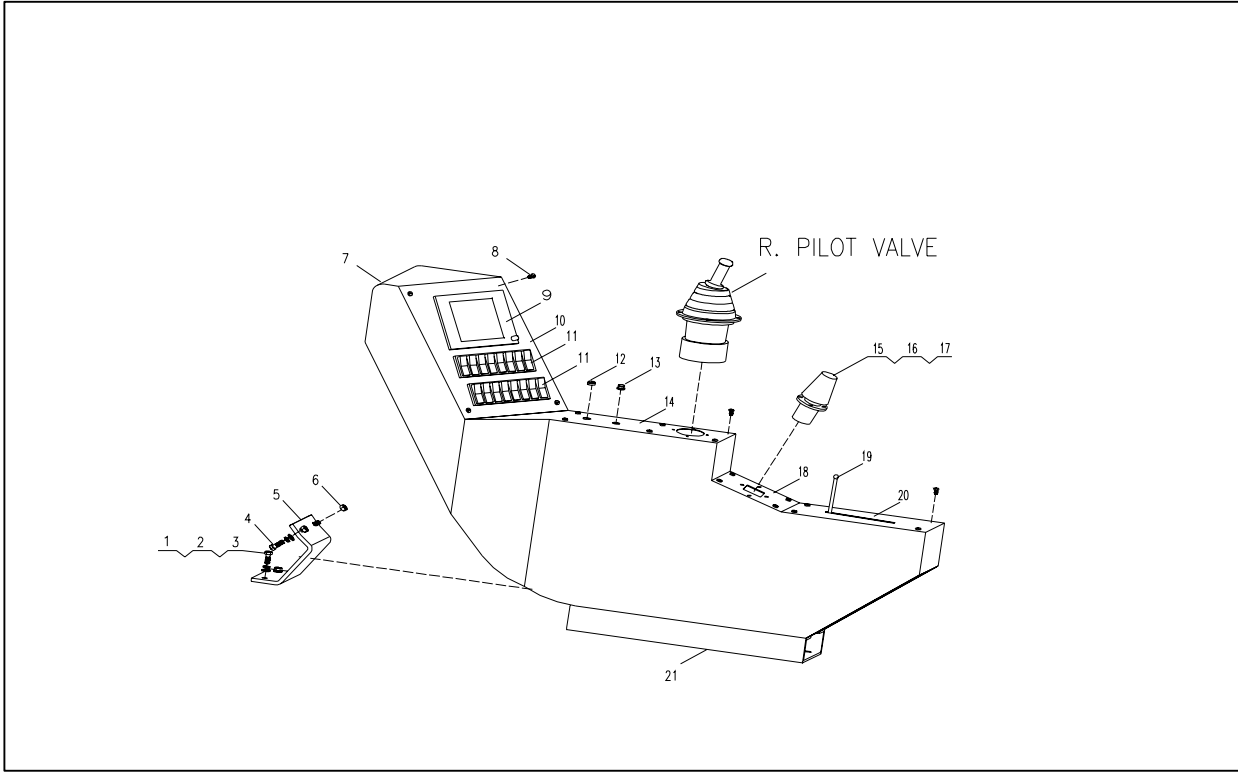
CONTROL ROOM LAYOUT

ITEM	PART NUMBER	PART NAME	SPECIFICATION	QTY	REMARK
1	701406010001	Nut	M10-ZnD GB6170	4	
2	810316150000	Control Lever		2	
3	701309004010	Tap Bolt	M4X8 GB8182	4	
4	750099000008	Handle	2132-1134B(L)	1	
5	750099000007	Handle	2132-1133®	1	
6	807206010000	Right Control Housing		1	
7	750702000009	Seat	AT911-1	1	
8	807206030000	Seat Frame		1	
9	807206020000	Left Control Housing		1	
10	302030208048	Base Plate		1	
11	701504010001	Lock Washer	10-ZnD GB97.1	20	
12	701510010001	Lock Washer	10-ZnD GB93	20	
13	701104010004	Hexagon Cap Screw	M10X25-8.8 GB5783	20	
14	810416200000	Right Pedal		1	
15	810416500000	Left Pedal		1	
16	740430000001	High Sensitivity Level	QFS	1	



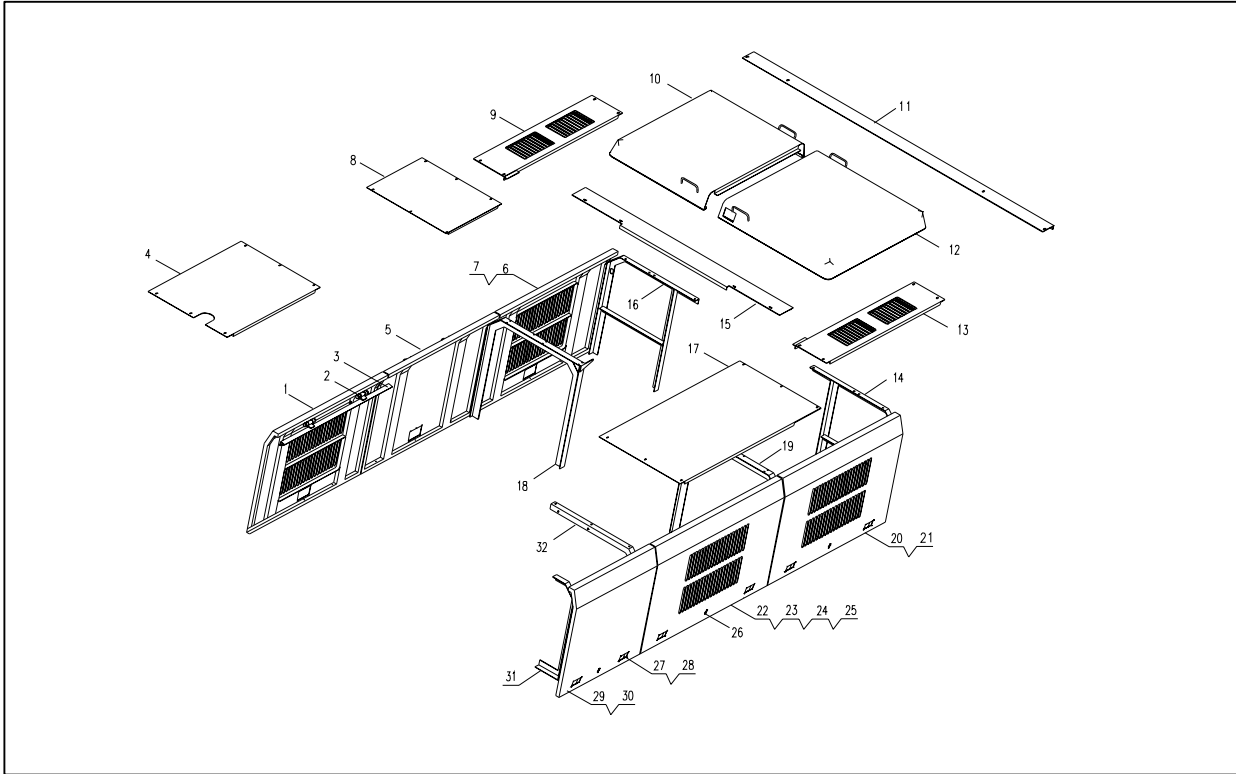
LEFT CONSOLE

ITEM	PART NUMBER	PART NAME	SPECIFICATION	QTY	REMARK
1	807206020100	Left Housing		1	
2	302030002010	Plate		1	
3	807206020200	Cup Holder Assembly		1	
4	701309005001	Tap Bolt	M5X10-ZnD GB818	14	
5	72040400008	Radio	YB6580	1	
6	72041100002	Cigarette Lighter	DY739	1	
7	302030004016	Plate		1	
8	701103008001	Hexagon Cap Screw	M8X16-8.8 GB5782	8	
9	701510008001	Lock Washer	8 GB93	8	
10	701501008002	Flat Washer	8 GB95	8	
11	701406008001	Nut	M8-10 GB6170	4	
12	701406006001	Nut	M6-10 GB6170	1	
13	701501006001	Lock Washer	6 GB95	1	
14	304090202001	Rod		1	
15	701309004010	Screw	M4X8 GB818	1	
16	301030302004	Tension Spring		1	
17	304110203010	Rod		1	
18	304030300002	Shaft		1	
19	305060500014	Sleeve		1	
20	701315006001	Screw	M6X35-8.8 GB68	1	
21	807206020300	Handle		1	



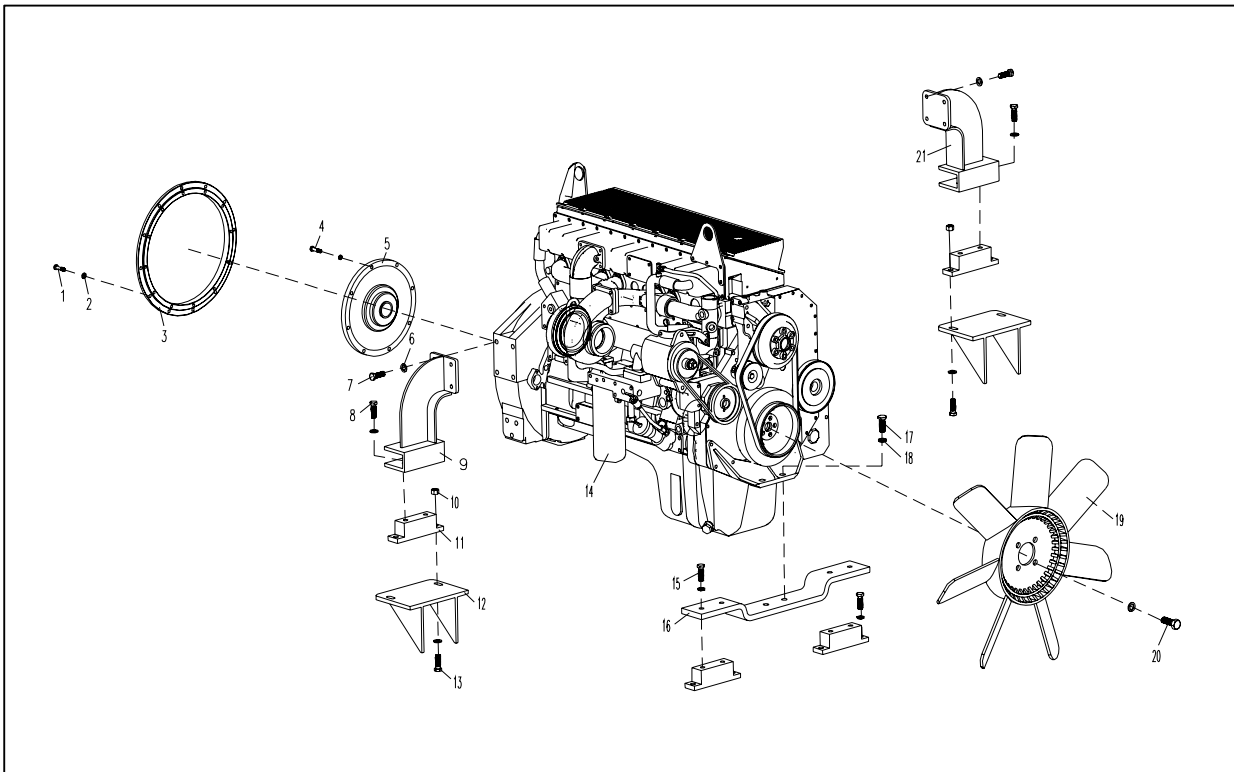
RIGHT CONSOLE

ITEM	PART NUMBER	PART NAME	SPECIFICATION	QTY	REMARK
1	701103008001	Hexagon Cap Screw	M8X16 GB5782	10	
2	701501008002	Lock Washer	8 GB95	12	
3	701510008001	Flat Washer	8 GB93	10	
4	701104008022	Hexagon Cap Screw	M8X20-8.8-ZnD GB5783	2	
5	302540000146	Plate		1	
6	701406008001	Nut	M8 GB6170	6	
7	807206010100	Right Housing		1	
8	701309005001	Screw	M5X10 GB818	18	
9	720402000003	Terminal Display	STP-X-AT82	1	
10	302030004018	Panel		1	
11	720236000018	Switch Button	JK991-SWDM20	1	
12		Emergency Stop		1	
13	720245000002	Ignition		1	
14	302060705001	Panel		1	
15	720299000002	Electric Handle	S50JCK-Y0-21R2GP	1	
16	701309003005	Screw	M3X12 GB818	4	
17	701406003001	Nut	M3 GB6170	4	
18	302030003016	Panel		1	
19	720212000044	Throttle	WS1T/90/10	1	
20	302030004017	Panel		1	
21	302540105005	Base		1	



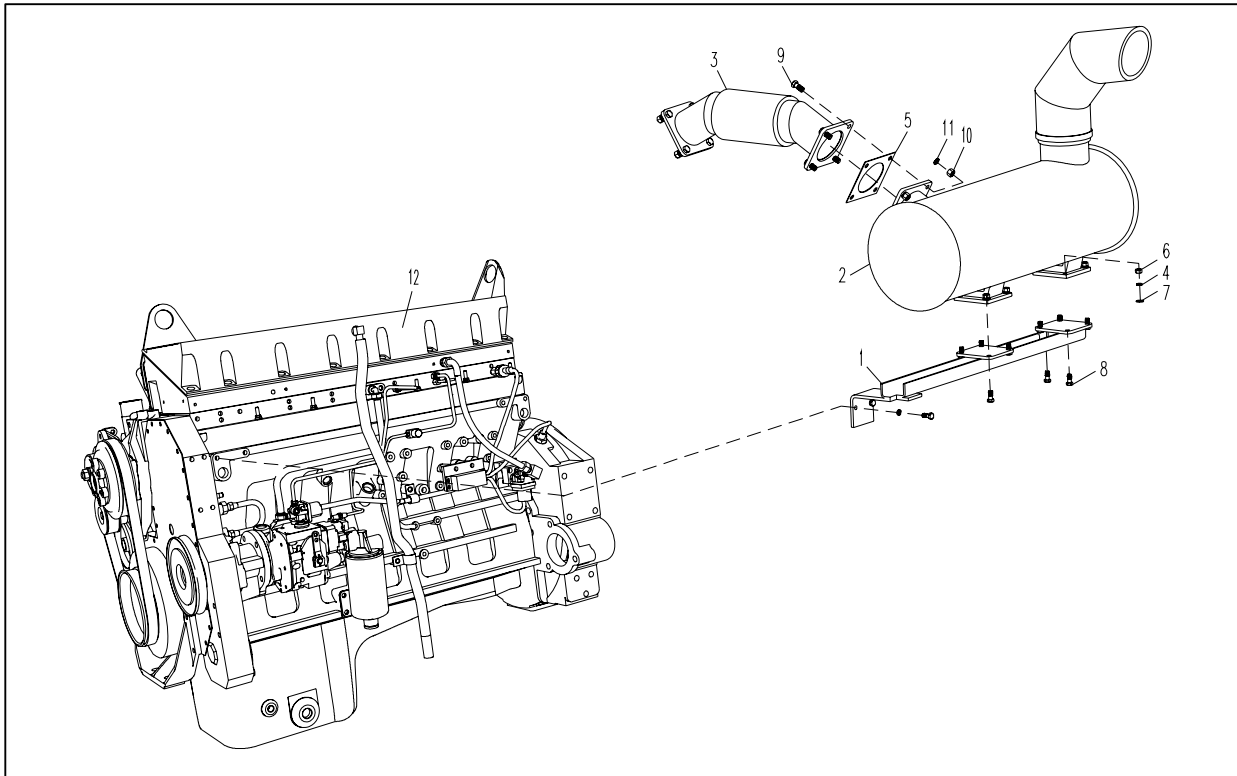
DRILL RIG BODY

ITEM	PART NUMBER	PART NAME	SPECIFICATION	QTY	REMARK
1	803610090000	Side Door(2)		1	
2	803610020000	Hinge		12	
3	303030507003	Door Hinge Fixing Rod(1)		1	
4	803610080000	Right Front Cover Plate		1	
5	803610060000	Side Door(1)		1	
6	803610170000	Side Door(5)		2	
7	303030509005	Door Hinge Fixing Rod(5)		1	
8	803610070000	Right Middle Cove Plate		1	
9	803610040000	Right Rear Cover Plate		1	
10	803610210000	Right Upper Plate		1	
11	803610190000	Rear Cover Plate		1	
12	803610200000	Left Upper Plate		1	
13	803610160000	Left Cover Plate		1	
14	803610180000	Rib		1	
15	803610150000	Middle Cover Plate		1	
16	803610010000	Rib		1	
17	803610130000	Left Front Cover Plate		1	
18	803610050000	Rib		1	
19	803610140000	Rib		1	
20	803610170000	Side Door(5)		2	
21	303030508015	Door Hinge Fixing Rod(4)		2	
22	803610120000	Side Door		1	
23	303030508014	Door Hinge Fixing Rod(3)		1	
24	803610030000	Side Door Supporting Frame		6	
25	803610220000	Side Door Supporting Rod		6	
26	750906000061	Lock	MS812-T	6	
27	750907000009	Handle	LS-V	12	
28	701310004003	Screw	M4X15 GB819	48	
29	803610110000	Side Door(3)		1	
30	303030506011	Door Hinge Fixing Rod(2)		1	
31	303030507002	Rib		1	
32	303030508006	Rib		1	



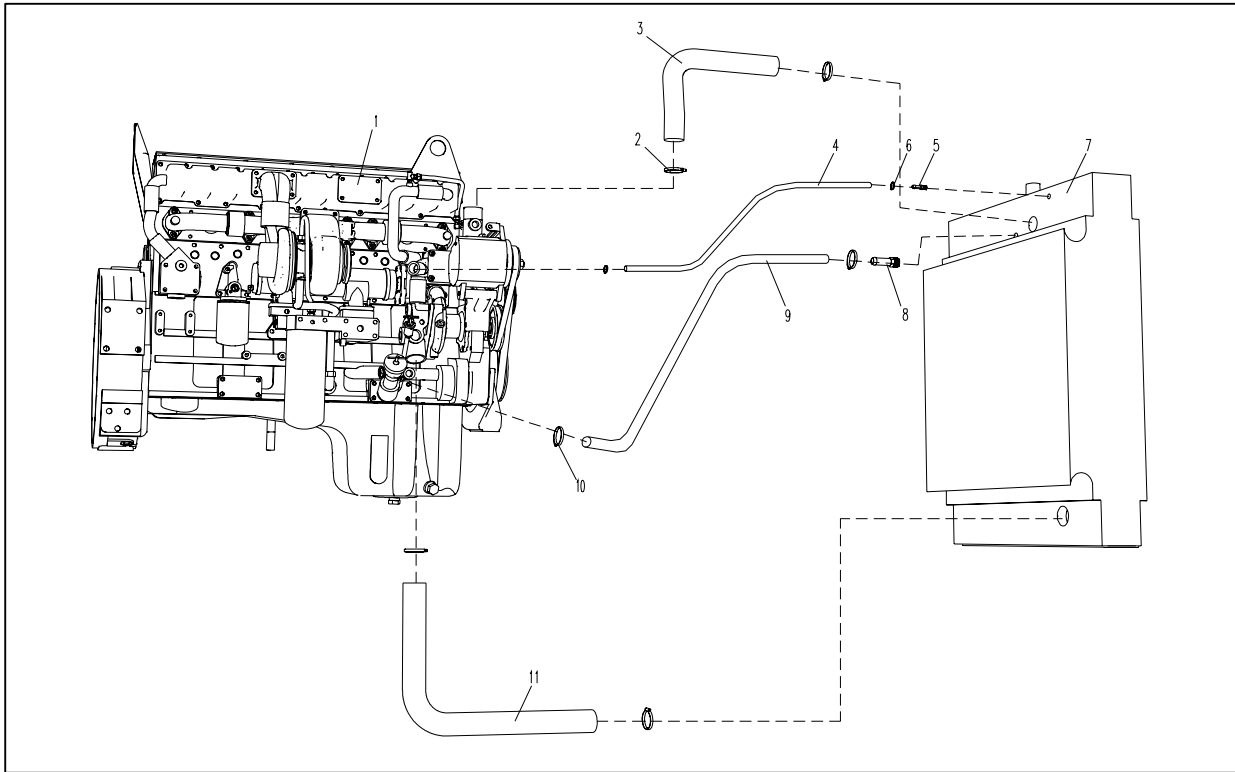
ENGINE SYSTEM

ITEM	PART NUMBER	PART NAME	SPECIFICATION	QTY	REMARK
1	751104000017	Hexagon Cap Screw	3/8-16UNC-2AX30-10.9	12	
2	701509010001	Lock Washer	10 GB848	32	
3	305031000007	Hydraulic Pump Transition Flange		1	
4	751104000004	Hexagon Cap Screw	3/8-16UNC-2AX40-10.9	8	
5	750310000004	Coupling	BOWEX100FLE-PA11.5"	1	
6	701504016001	Lock Washer	16 GB97.1	4	
7	751104000005	Hexagon Cap Screw	5/8-11UNC-2AX40-10.9	8	
8	701104016003	Hexagon Cap Screw	M16X30-8.8 GB5783	4	
9	803611060000	Rear Bracket		1	
10	701406016002	Hex Nut	M16 GB6170	4	
11	750602000020	Damper	SH-750	4	
12	803611040000	Support Frame		2	
13	701103016024	Hexagon Cap Screw	M16X60 GB5782	4	
14	750201000011	Engine	M11-C330	1	
15	701103016005	Hexagon Cap Screw	M16X40-8.8 GB5782	8	
16	302540306008	Front Plate		1	
17	701103020016	Hexagon Cap Screw	M20X35 GB5782	2	
18	701507020001	Lock Washer	20 GB97.2	2	
19	720409000014	Fan	711/9-9/45%°D	1	
20	751104000006	Hexagon Cap Screw	3/8-16UNC-2AX95-10.9	6	
21	803611050000	Rear Bracket		1	



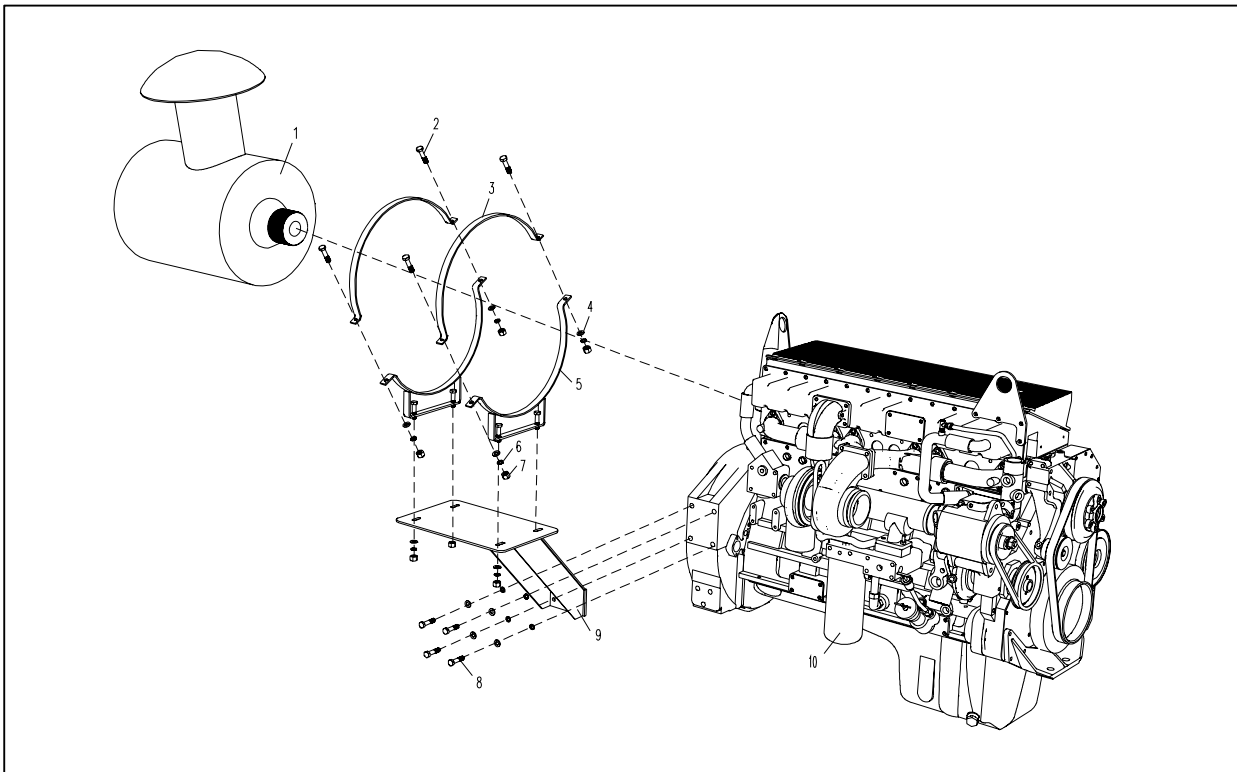
MUFFLER ASSEMBLY

ITEM	PART NUMBER	PART NAME	SPECIFICATION	QTY	REMARK
1	803611020100	Bracket		1	
2	750205000005	Muffler	XH-G227XW	1	
3	803611020200	Ripple Compensator		1	
4	701510010001	Lock Washer	10 GB93	11	
5	302030003018	Seal		2	
6	701406010001	Nut	M10 GB6170	9	
7	701504010001	Lock Washer	10 GB97.1	8	
8	701103010003	Hexagon Cap Screw	M10X30 GB5782	11	
9	701103012011	Hexagon Cap Screw	M12X35 GB5872	8	
10	701510012001	Lock Washer	12 GB93	8	
11	701406012002	Lock Washer	M12 GB6170	8	
12	750201000011	Engine	M11-C330	1	



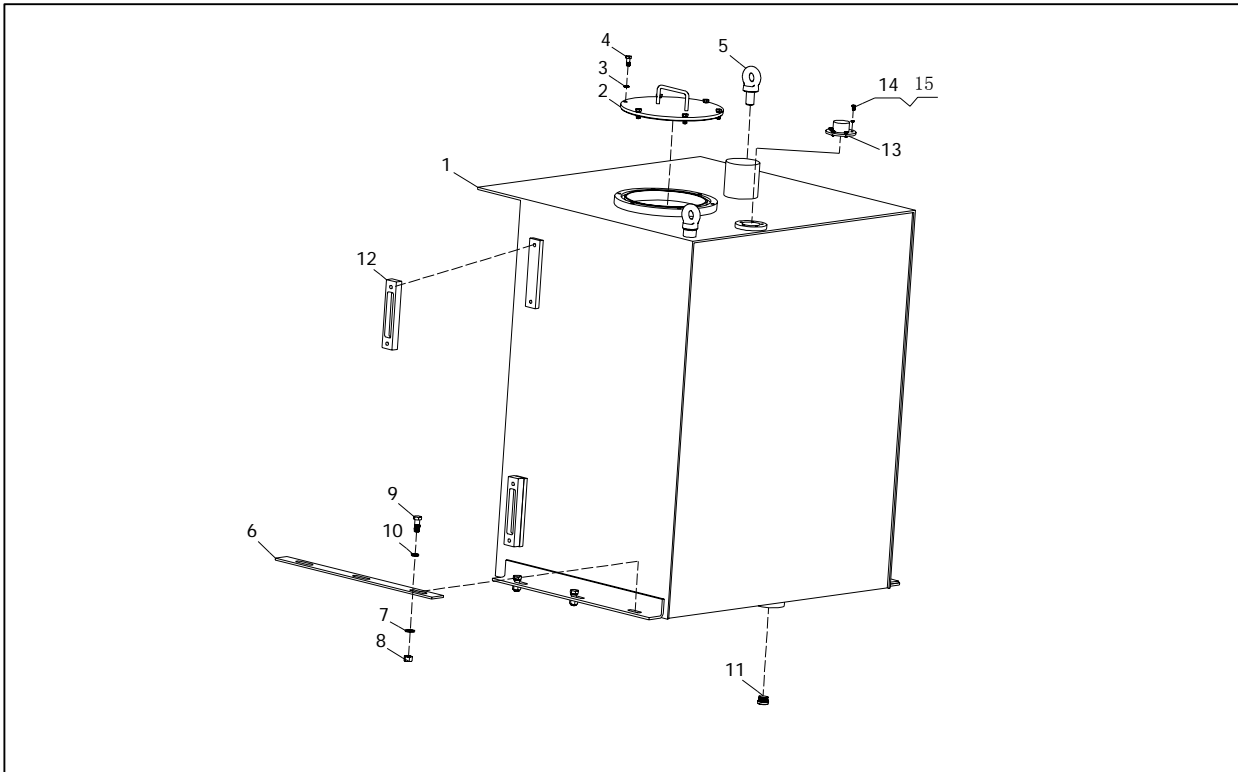
RADIATOR ASSEMBLY

ITEM	PART NUMBER	PART NAME	SPECIFICATION	QTY	REMARK
1	750201000011	Engine	M11-C330	1	
2	701901070001	Hose Clamp	$\Phi 50 \sim 70$	4	
3	320020506005	Water Inlet Pipe		1	
4	320020206001	Air Hose		1	
5	308010202010	Male Pipe-Push on	1/4"	2	
6	701901025001	Hose Clamp	0 16-25 JB/T8870	2	
7	730701000013	Radiator	SHW11	1	
8	308010304054	Male Pipe-Push on	1"	1	
9	320020408001	Water Pipe		1	
10	701901038001	Hose Clamp	$\Phi 25 \sim 38$	2	
11	320020506004	Water Outlet Pipe		1	



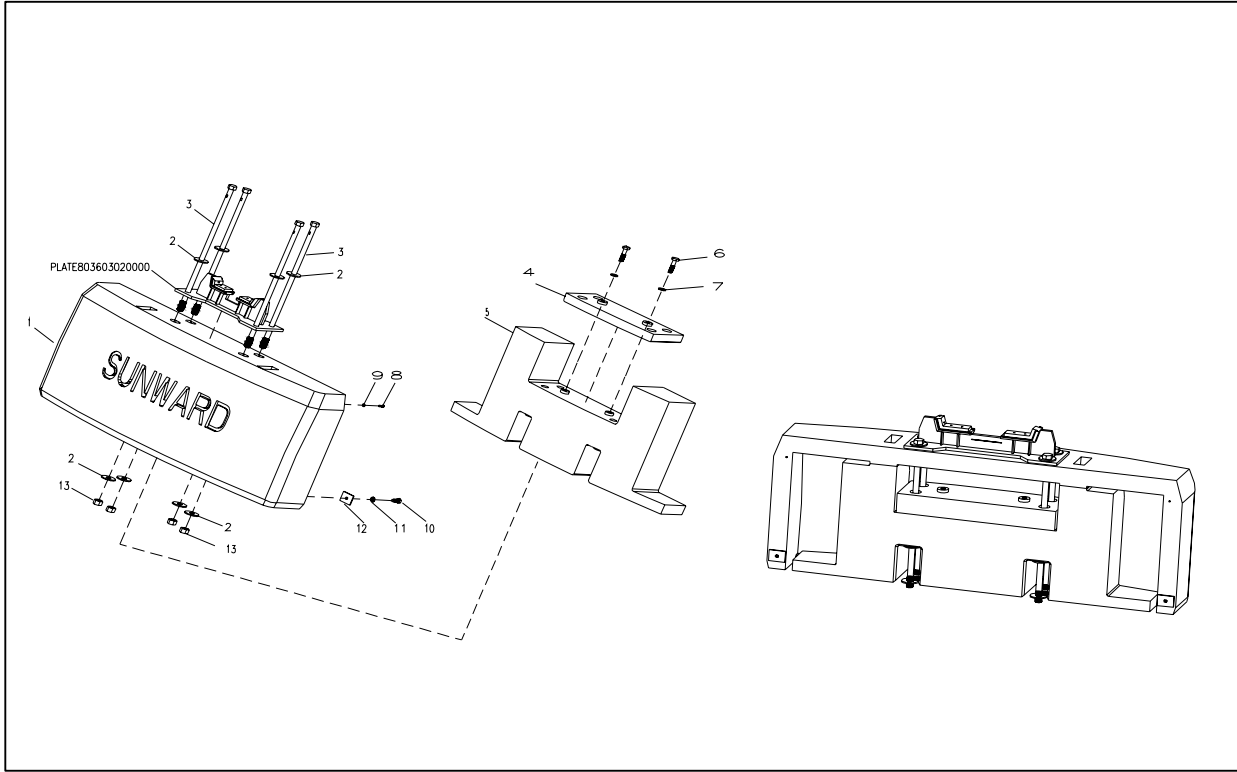
AIR FILTER ASSEMBLY

ITEM	PART NUMBER	PART NAME	SPECIFICATION	QTY	REMARK
1	730402000010	Air Filter	AH19112	1	
2	701101010006	Hexagon Cap Screw	M10X50 GB5780	4	
3	302550106013	Clamp		2	
4	701504010001	Flat Washer	10 GB97.1	12	
5	803611010100	Clamp		2	
6	701510010001	Lock Washer	10 GB93	12	
7	701406010001	Hex Nut	M10 GB6170	8	
8	701103010002	Hexagon Cap Screw	M10X25 GB5782	8	
9	803611010200	Bracket		1	
10	750201000011	Engine	M11-C330	1	



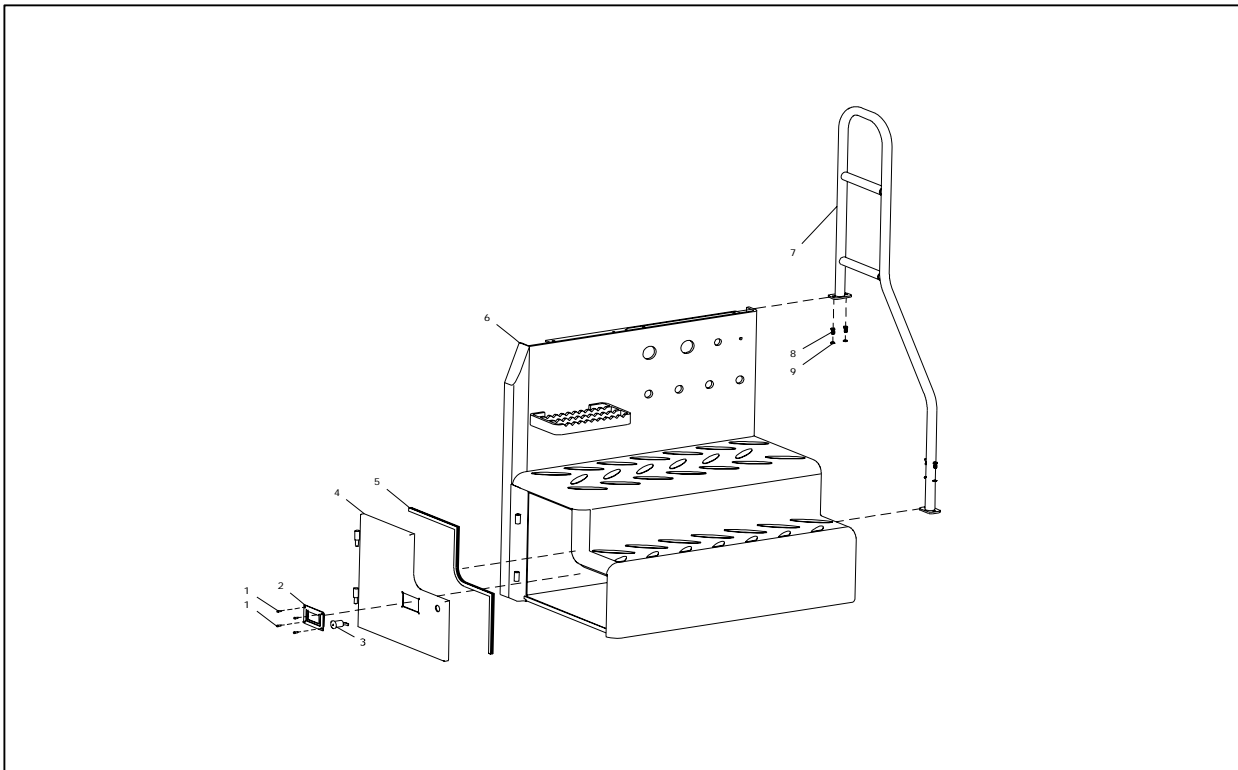
FUEL TANK ASSEMBLY

ITEM	PART NUMBER	PART NAME	SPECIFICATION	QTY	REMARK
1	803611080100	Fuel Tank		1	
2	803611080200	Cover (for cleaning)		1	
3	701510008001	Lock Washer	8-ZnD GB93	6	
4	701104008006	Hexagon Cap Screw	M8X25-8.8-ZnD GB5783	6	
5	701305020001	Machinery Eye Bolt	M20 GB825	2	
6	302030105019	Rubber Seal		2	
7	701504012001	Flat Washer	12 GB97.1	6	
8	701406012002	Hex Nut	M12-10 GB6170	6	
9	701103012012	Hexagon Cap Screw	M12X40-8.8 GB5782	6	
10	701510012001	Flat Washer	12 GB93	6	
11	730399000012	Drainage Valve	M22X1.5	1	
12	740401000002	Fuel Level Indicator	YWZ-150	2	
13	720212000017	Fuel Level Sensor	RG1163-M10	1	
14	701309005008	Hexagon Cap Screw	M5X15 GB818	5	
15	701510005001	Lock Washer	5-ZnD GB93	5	



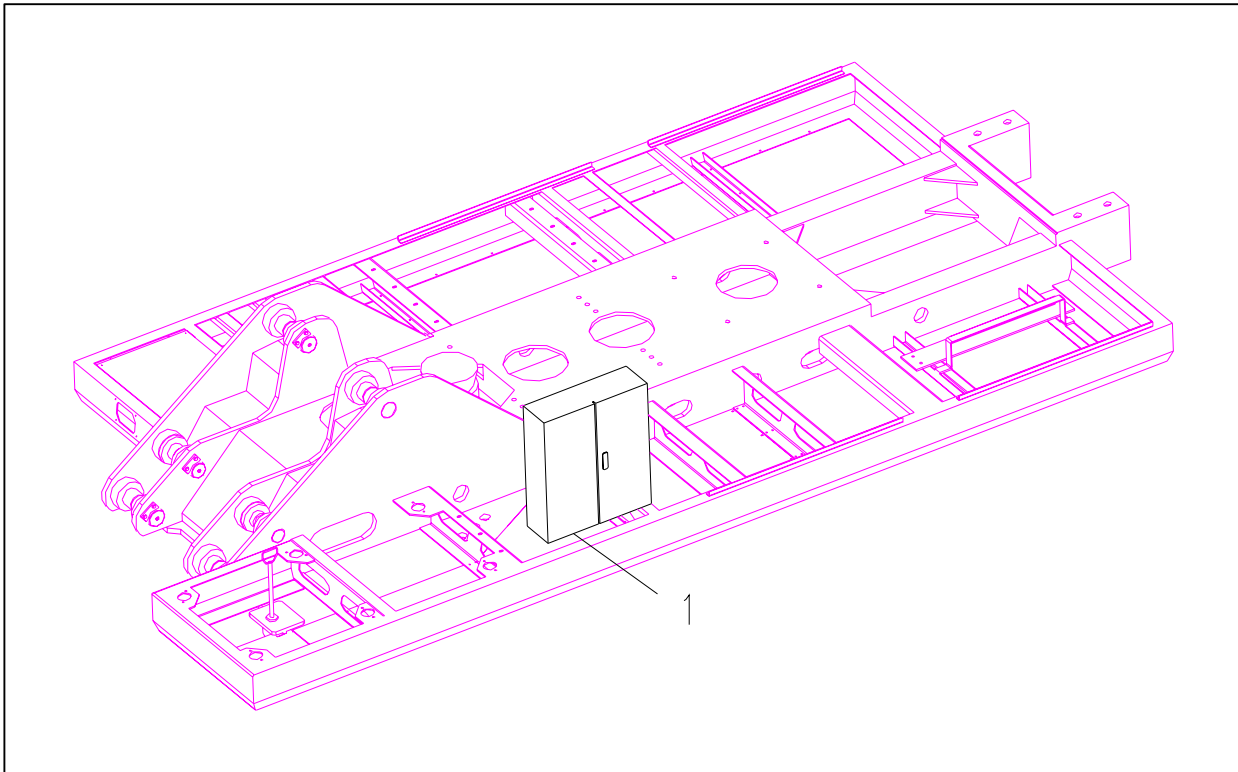
COUNTERWEIGHT

ITEM	PART NUMBER	PART NAME	SPECIFICATION	QTY	REMARK
1	331020000010	Counterweight Shell		1	
2	302010202022	Washer		8	
3	803612010000	Bolt		4	
4	307990707001	Adjustable Weight		1	
5	307990909001	Main Weight		1	
6	701103030007	Hexagon Cap Screw	M30X230 GB5783	2	
7	701501030001	Washer	30 GB95	2	
8	701104012012	Tap Bolt	M12X40-8.8 GB5783	2	
9	701501012002	Washer	12 GB95	2	
10	701104024008	Tap Bolt	M24X60-8.8 GB5783	2	
11	701501024001	Washer	24 GB95	2	
12	302030202124	Square Washer		2	
13	701406042002	Nut	M42-10 GB6170	4	



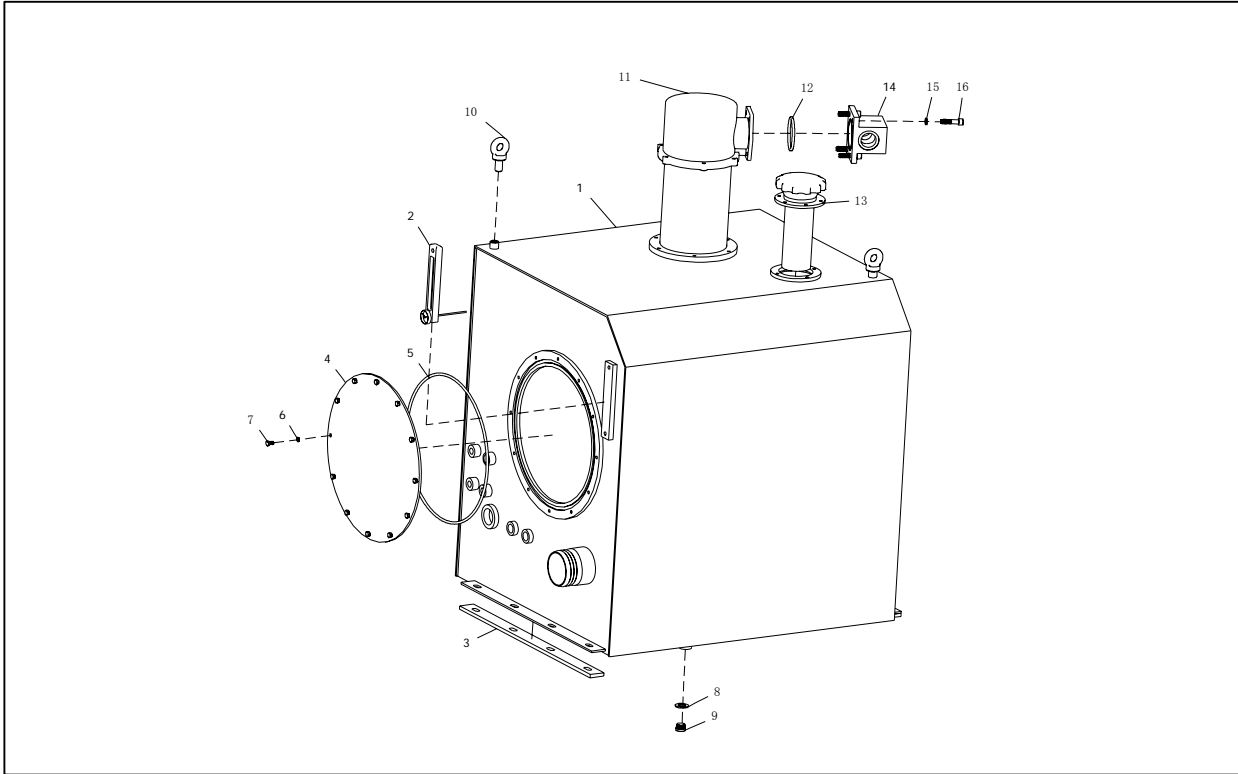
TOOL BOX

ITEM	PART NUMBER	PART NAME	SPECIFICATION	QTY	REMARK
1	701604004801	Rivet	4.8X13 GB4005	4	
2	750907000009	Hand Grip	LS-V	1	
3	750906000046	Lock		1	
4	803613020000	Door		1	
5	750001000003	Seal		1	
6	803613010000	Box		1	
7	803613030000	Hand Rail		1	
8	701104008002	Tap Bolt	M8X16-8.8-ZnD GB5783	4	
9	701510008001	Lock Washer	8-ZnD GB93	4	



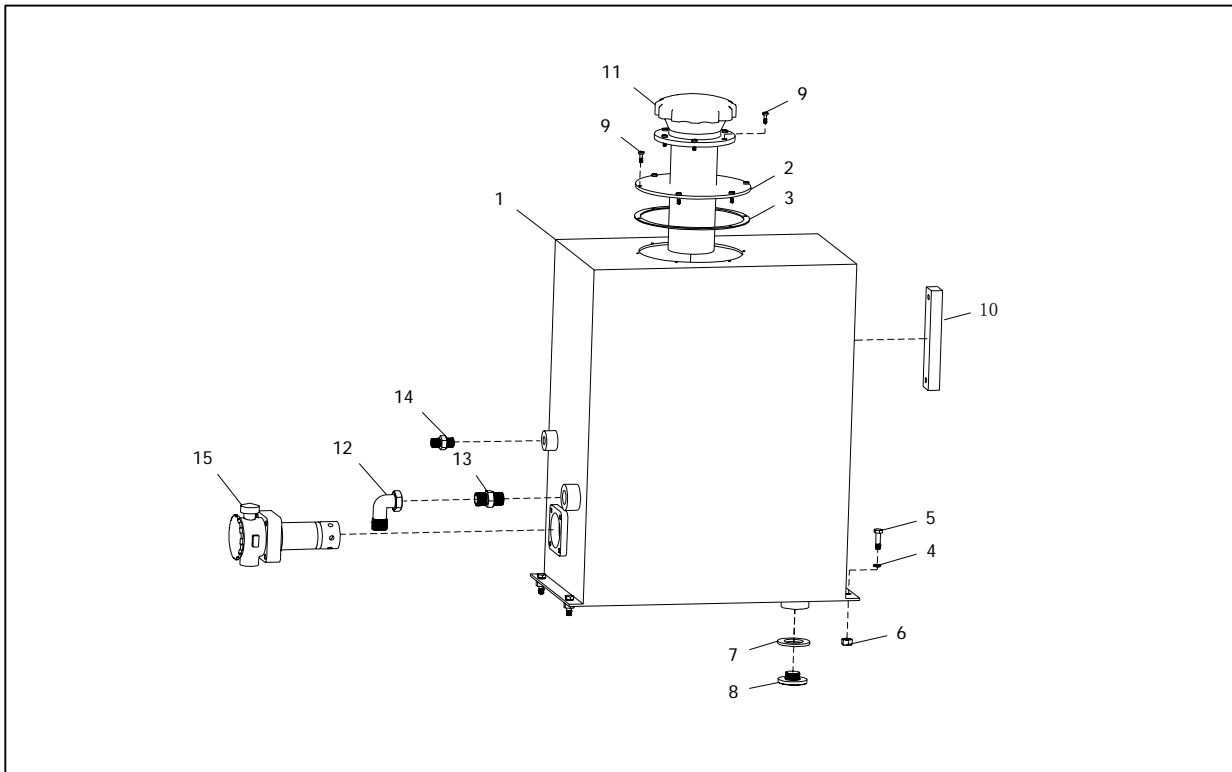
ELECTRIC CONTROL BOX

ITEM	PART NUMBER	PART NAME	SPECIFICATION	QTY	REMARK
1	803697020000	Electric Control Box		1	



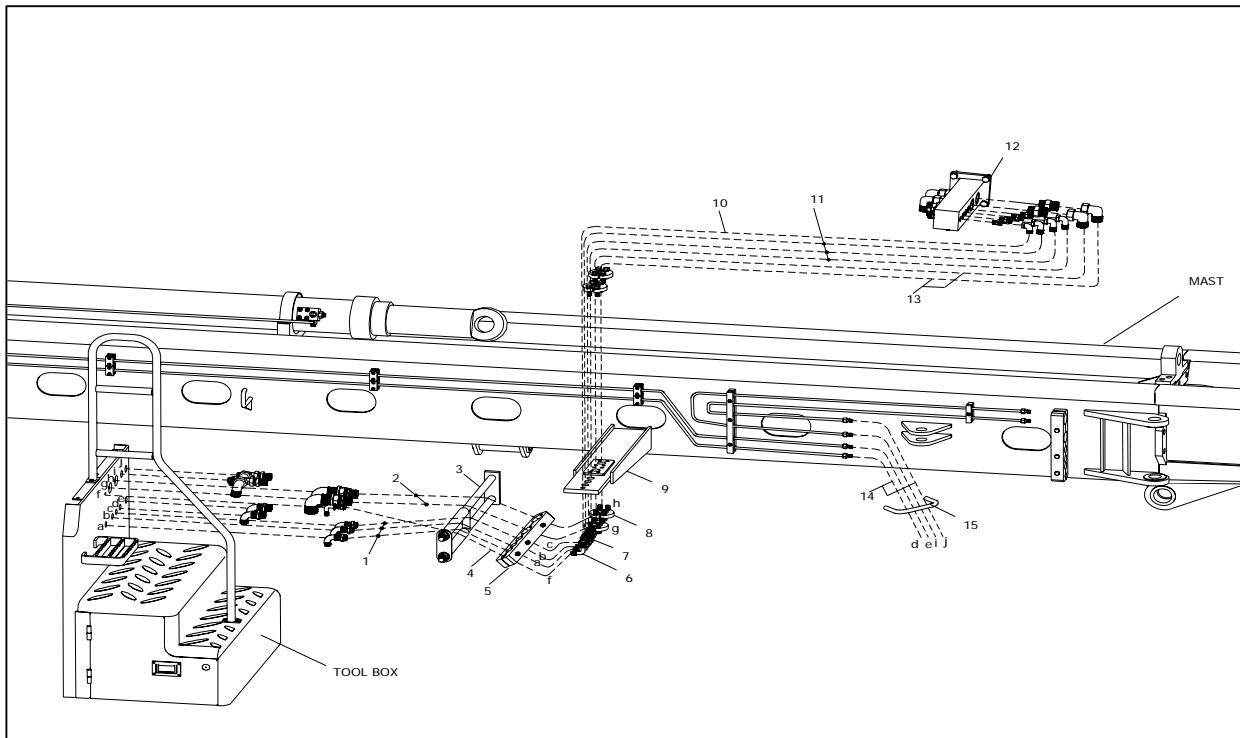
HYDRAULIC OIL TANK

ITEM	PART NUMBER	PART NAME	SPECIFICATION	QTY	REMARK
1	803696010110	Oil Tank		1	
2	740401000001	Oil Level Indicator	CYW-200	1	
3	302030206227	Rubber Cushion		1	
4	302010205009	Cover Plate		2	
5	703201425001	O-ring	425X7 GB3452.1	2	
6	701510008001	Lock Washer	8 GB93	24	
7	701104008004	Hexagon Cap Screw	M8X20-8.8 GB5783	24	
8	703202022001	Washer	22 JB982	1	
9	703206022001	Screw Plug	M22X1.5 JB1001-77	1	
10	701305012001	Eye Bolt	M12 GB825	2	
11	730401000015	Filter	PZU-800X10Y	1	
12	703201085002	O-ring	85X3.55 GB3452.1	1	
13	730402000029	Air Filter	EF6-80	1	
14	330040202003	Flange Connector		1	
15	701510012001	Lock Washer	12 GB93	4	
16	701302012013	Hexagon Cap Screw	M12X50-8.8 GB70	4	



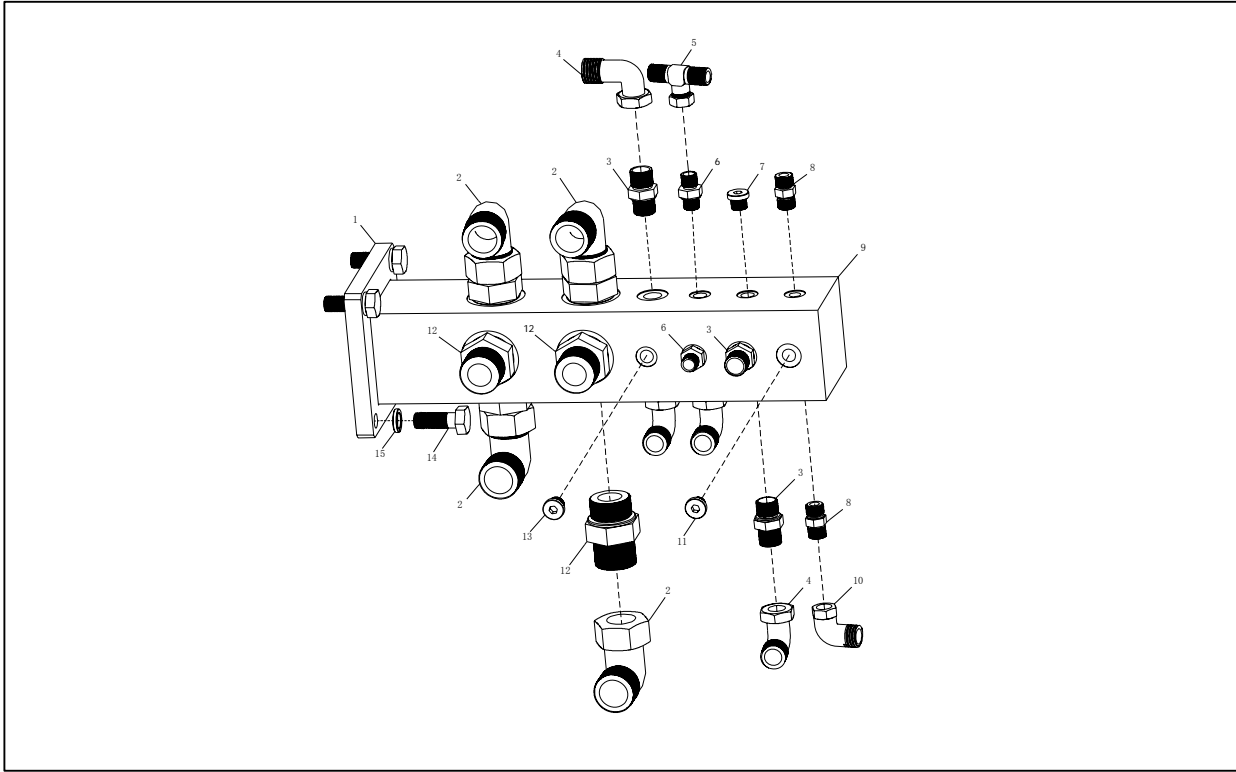
SMALL HYDRAULIC OIL TANK

ITEM	PART NUMBER	PART NAME	SPECIFICATION	QTY	REMARK
1	803696020100	Small Oil Tank		1	
2	302010203019	Flange		1	
3	302010003010	Rubber Gasket		1	
4	701510008001	Lock Washer	8-ZnD GB93	4	
5	701103008012	Hexagon Cap Screw	M8x35-8.8 GB5782	4	
6	701406008001	Hex Nut	M8-ZnD GB6170	4	
7	703202033001	Flat Washer	33 JB982	1	
8	703203033001	Screw Plug	M33x2 JB1000	1	
9	701314004002	Hexagon Cap Screw	M4X16-8.8 GB65	12	
10	739801000009	Oil Level Indicator	YWZ-200T	1	
11	730402000012	Air Filter	QUQ2-20x1.0	1	
12	730102000020	Elbow	EW18LOMDA3C	1	
13	730101000016	Union	GE18LMEDOMDA3C1	1	
14	730101000015	Union	GE12LMEDOMDA3C	1	
15	730401000014	Filter	LXZ-40X80Y	1	



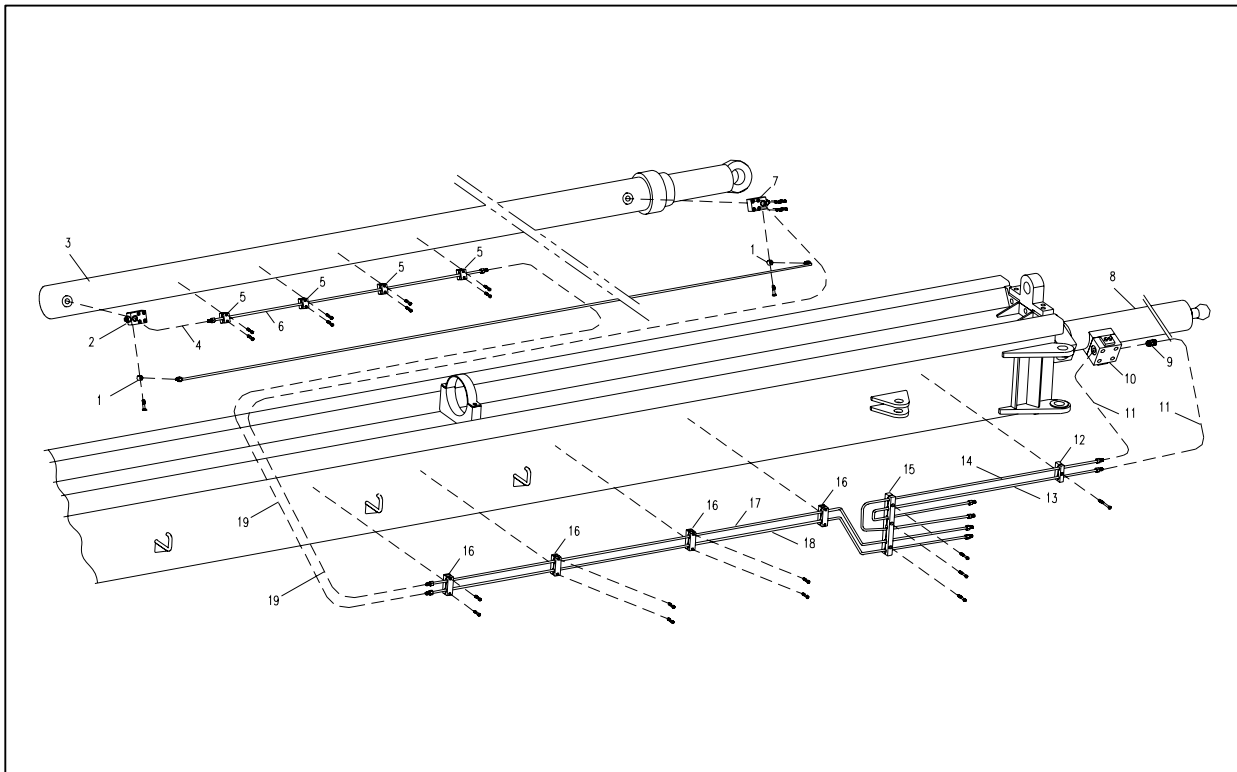
TRANSITIONAL HYDRAULIC OIL LINE

ITEM	PART NUMBER	PART NAME	SPECIFICATION	QTY	REMARK
1	730501000319	Rubber Hose Assembly	481CACA181810-5800	3	
2	730502000942	Rubber Hose Assembly	F731C96N382020-5500	2	
3	803696130200	Hose support		1	
4	730502000576	Rubber Hose	481CACF101005-5000	1	
5	803696130100	Hose Clamp		3	
6	730103000007	Elbow	WSV10LOMDA3C	1	
7	730103000006	Connector	WSV18LOMDA3C	3	
8	730199000023	High Pressure Flange	SAE 1 1/4	4	
9	803696130300	Mast Clapboard		1	
10	730502000674	Hose	481CACF101005-4000	1	
11	730502000589	Rubber Hose	481CACF181810-4950	3	
12	803696130400	Transitional Block Installation		1	
13	730503000133	Rubber Hose Assembly	F481CFCF181810-4950	2	
14	730501000250	Rubber Hose	701C9C9202010-5500	4	
15	320030000003	Hose Holder		1	



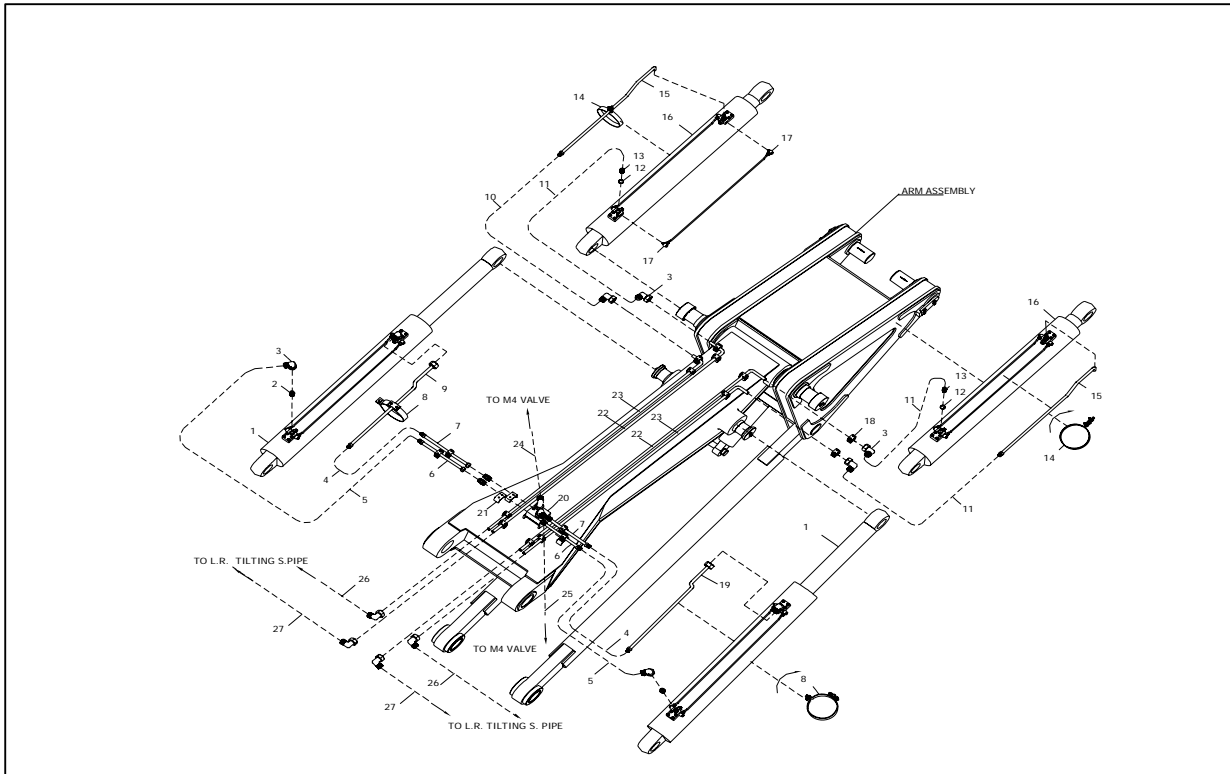
TRANSITIONAL BLOCK INSTALLATION

ITEM	PART NUMBER	PART NAME	SPECIFICATION	QTY	REMARK
1	302030000662	Transitional Block Plate		1	
2	730102000025	Elbow	EW38SOMDA3C	4	
3	730101000016	Union	GE18LMEDOMDA3C	5	
4	730102000020	Elbow	EW18LOMDA3C	4	
5	730104000025	Tee	EL12LOMDA3C	1	
6	730101000155	Union	GE12LMEDOMDA3C	2	
7	739806000006	Screw Plug	VSTI22X1.5EDA3C	1	
8	730101000005	Union	GE10LMEDOMDA3C	2	
9	307010604021	Transitional Block		1	
10	730102000015	Elbow	EW10LOMDA3C	1	
11	739806000009	Screw Plug	VSTI14X1.5EDA3C	1	
12	730101000146	Union	GE38SMEDA3C	6	
13	739806000025	Screw Plug	VSTI16X1.5EDA3C	1	
14	701101016005	Hexagon Cap Screw	M16X45-4.8 GB5780	4	
15	701510016001	Lock Washer	16 GB93	4	



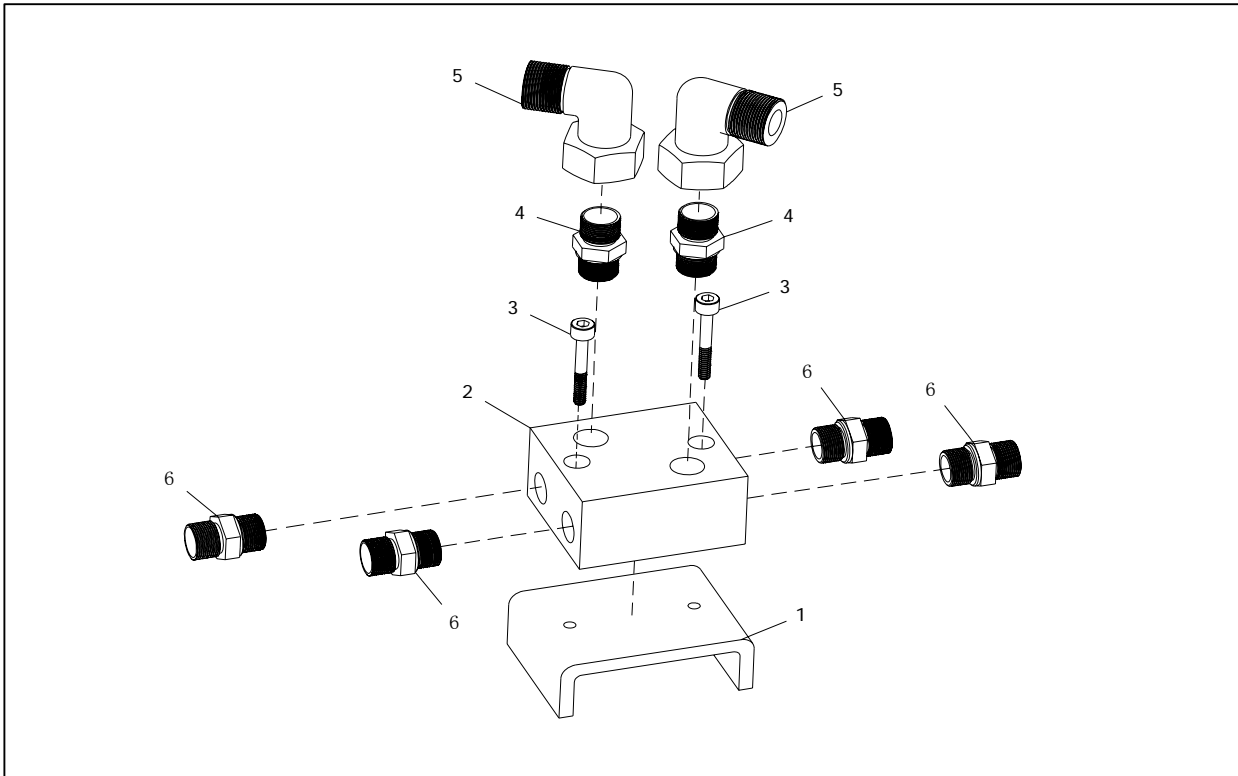
CROWD HYDRAULIC CYLINDER OIL LINE

POS.	COD.	PART NAME	SPECIFICATION	QTY	REMARK
1	730199000022	Connector	WH20SMKDSOMDA3C	2	
2	730304000005	Balance Valve	F1201 120L/MIN	1	
3	730001000121	Crowd Hydraulic Cylinder	D140/d100-5000X5700	1	
4	730502000547	Rubber Hose	371C91C202010-600	1	
5	751008000041	Pipe Clamp	TLPG-320	4	
6	730540000044	Steel Pipe	SWDM20G.120	1	
7	730304000006	Balance Valve	F1201A 120L/MIN	1	
8	730001000120	Hydraulic Cylinder	D125/d90-1500X1955	1	
9	308010204004	Union	M22X1.5/M30X2	2	
10	730301000012	Check Valve	CKEB-XCN	1	
11	730501000247	Rubber Hose	701C9C9202010-1700	2	
12	803696140100	Pipe Clamp Assembly		1	
13	730540000036	Hydraulic Cylinder Oil Pipe(leg)	SWDM20G.040	1	
14	730540000037	Hydraulic Cylinder Oil Pipe(leg)	SWDM20G.050	1	
15	803696140200	Pipe Clamp Assembly		1	
16	751008000001	Pipe Clamp	THPG2-220	4	
17	730540000038	Steel Pipe	SWDM20G.060	1	
18	730540000038	Steel Pipe	SWDM20G.060	1	
19	730502000672	Rubber Hose	701C91C202010-1000	2	



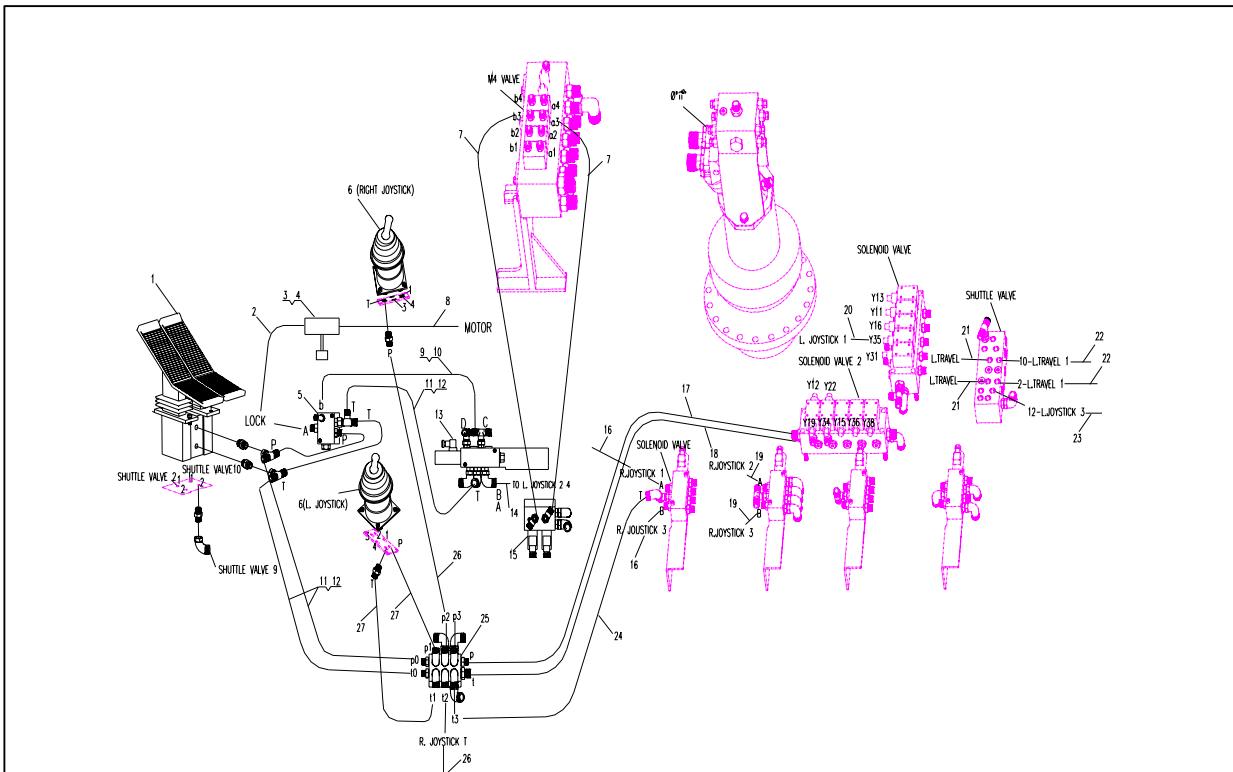
ARM HYDRAULIC OIL LINE ASSEMBLY

ITEM	PART NUMBER	PART NAME	SPECIFICATION	QTY	REMARK
1	730001000123	Parallelogram System Hydraulic Cylinder	D160/d110-1070	2	
2	730101000041	Union	GE20SMEDOMDA3C	2	
3	730102000012	Elbow	EW20SOMDA3C	8	
4	730502000604	Rubber Hose	7011CC9202010-1400	2	
5	730502000606	Rubber Hose	7011CC9202010-1500	2	
6	730540000042	Steel Pipe	SWDM20G.100	2	
7	730540000043	Steel Pipe	SWDM20G.110	2	
8	803696140300	Cylinder Clamp		1	
9	730540000033	Steel Pipe	SWDM20G.010	1	
10	730502000946	Rubber Hose Assembly	F701C91C202010-1600	2	
11	730502000609	Rubber Hose	7011CC9202010-1800	2	
12	703202027001	Washer	27 JB982	2	
13	308010000022	Union	M27-M30	2	
14	803696150200	Cylinder Clamp		2	
15	730540000035	Steel Pipe	SWDM20G.030	2	
16	730001000119	Hydraulic Cylinder	160X110-2080	2	
17	730199000022	Connector	WH20SMKDSOMDA3C	4	
18	751008000001	Pipe Holder	THPG2-220	12	
19	730540000034	Steel Pipe	SWDM20G.020	1	
20	803696150100	Oil Distributor Installation		1	
21	302510000101	Plate			
22	730540000040	Steel Pipe	SWDM20G.080	2	
23	730540000041	Steel Pipe	SWDM20G.090	2	
24	730502000615	Rubber Hose	7311CC9252512-1170	1	
25	730502000616	Rubber Hose	7311CC9252512-1200	1	
26	730502000609	Rubber Hose	7011CC9202010-1800	2	
27	730502000608	Rubber Hose	7011CC9202010-1780	2	



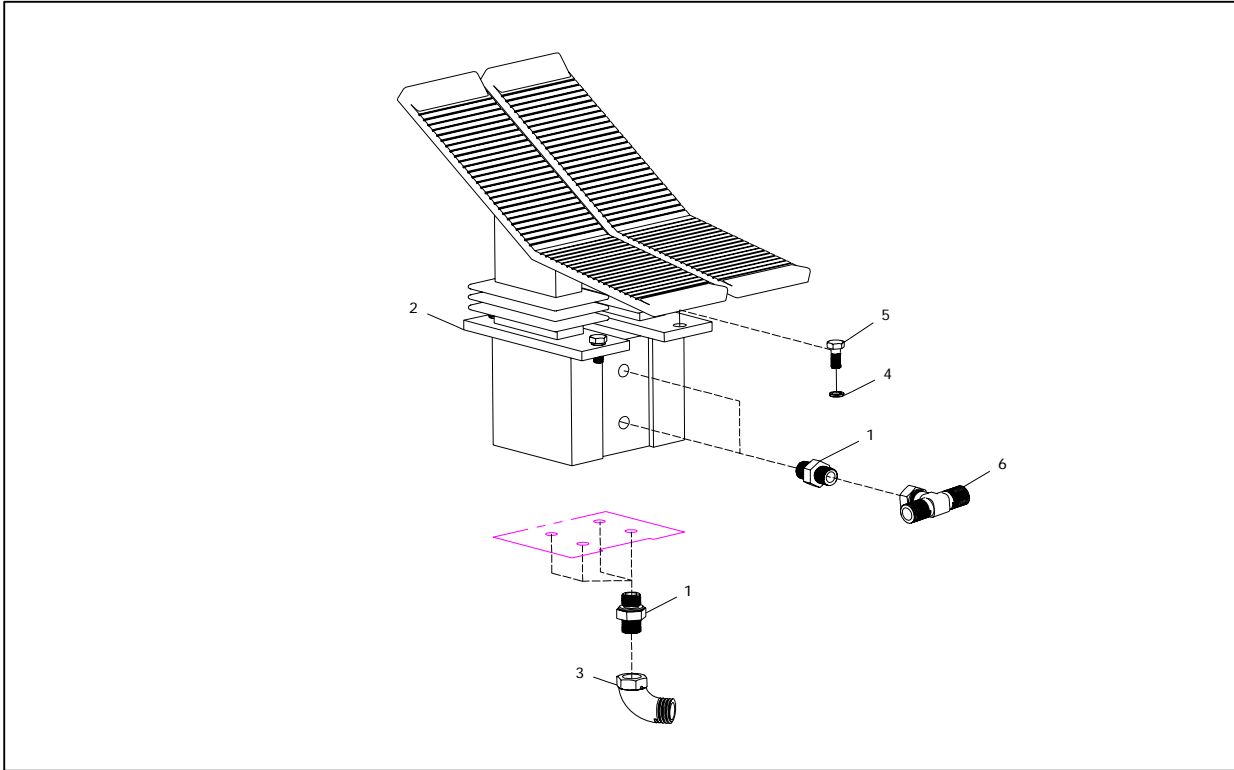
ARM HYDRAULIC OIL DISTRIBUTOR INSTALLATION

ITEM	PART NUMBER	PART NAME	SPECIFICATION	QTY	REMARK
1	302510000100	Frame		1	
2	307010502006	Throttle Valve		1	
3	701302010012	Socket Head Cap Screw	M10X60-8.8 GB70	2	
4	730101000040	Union	GE25SMEDOMDA3C	2	
5	730102000023	Elbow	EW25SOMDA4C	2	
6	730101000041	Union	GE20SMEDOMDA3C	4	



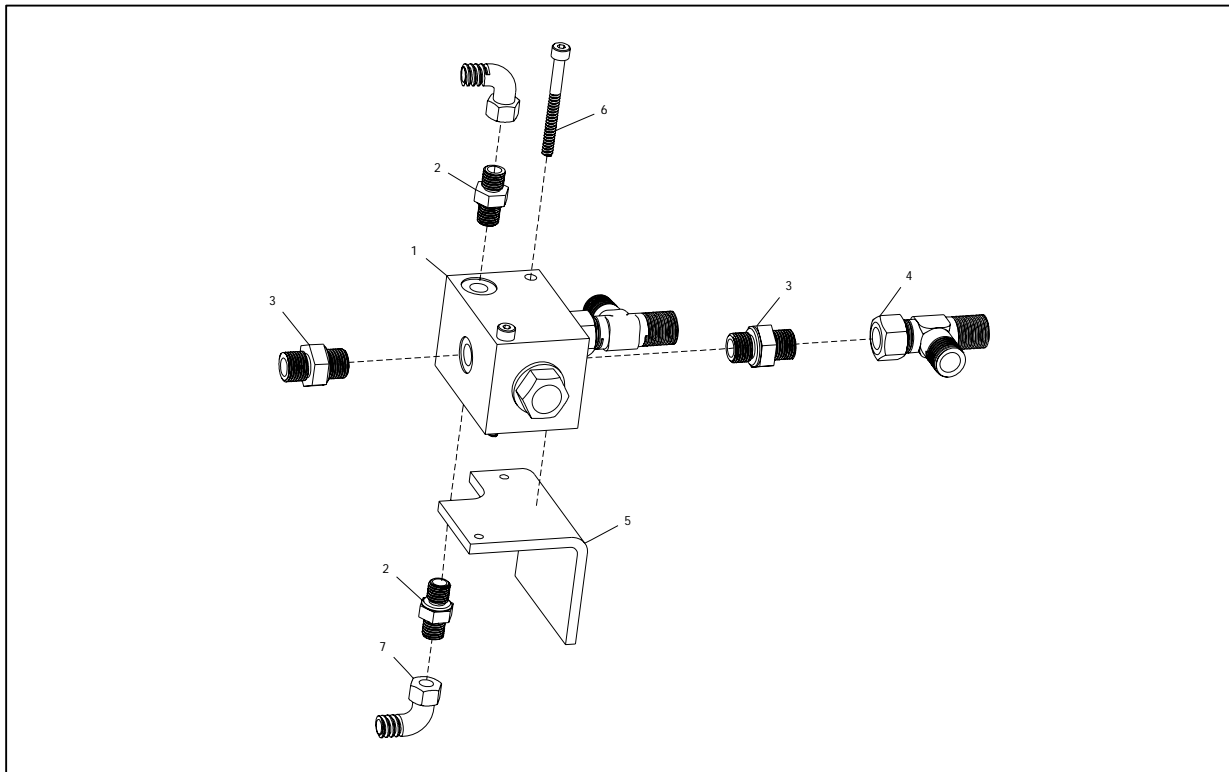
CAB PILOT LINE ASSEMBLY

ITEM	PART NUMBER	PART NAME	SPECIFICATION	QTY	REMARK
1	803696160100	Dual Pedal Pilot Valve Installation		1	
2	730501000219	Rubber Hose	481CACA080804-2200	1	
3	308010000051	Union	R1/4-M14	1	
4	730311000005	One-Way Throttle Valve	KC-02	1	
5	803696160200	Shut-off Valve Installation		1	
6	803696160300	L. R. Joystick Pilot Valve Installation		1	
7	730502000570	Rubber Hose	481CACF101005-3600	2	
8	730501000155	Hose	F481CACA080804-260	1	
9	710102020036	20 Seamless Steel Pipe	TP8X1	3m	
10	751103000015	Nut	FM08LA3C	8	
11	710102020001	20 Seamless Steel Pipe	TP10X1.5	5m	
12	751103000002	Nut	FM10LA3C	14	
13	803696160400	Electromagnetic Multi-directional Valve Installation		1	
14	730502000563	Rubber Hose	481CACF101005-1900	2	
15	803696160500	Remote Control Valve Installation		1	
16	730501000226	Rubber Hose	481CACA101005-1800	2	
17	730501000229	Rubber Hose	481CACA101005-2700	1	
18	730501000276	Rubber Hose	481CACA151508-2700	1	
19	730501000228	Rubber Hose	481CACA101005-2600	2	
20	730502000572	Rubber Hose	481CACF101005-3900	1	
21	730502000831	Rubber Hose	F481CACF101005-3790	2	
22	730501000331	Rubber Hose	481CACA10105-3940	2	
23	730501000330	Rubber Hose	481CACA10105-3650	1	
24	730501000223	Rubber Hose	481CACA101005-1500	1	
25	803696160800	Pilot Oil Distributor Installation		1	
26	730501000225	Rubber Hose	481CACA101005-1650	2	
27	730501000224	Rubber Hose	481CACA101005-1550	2	



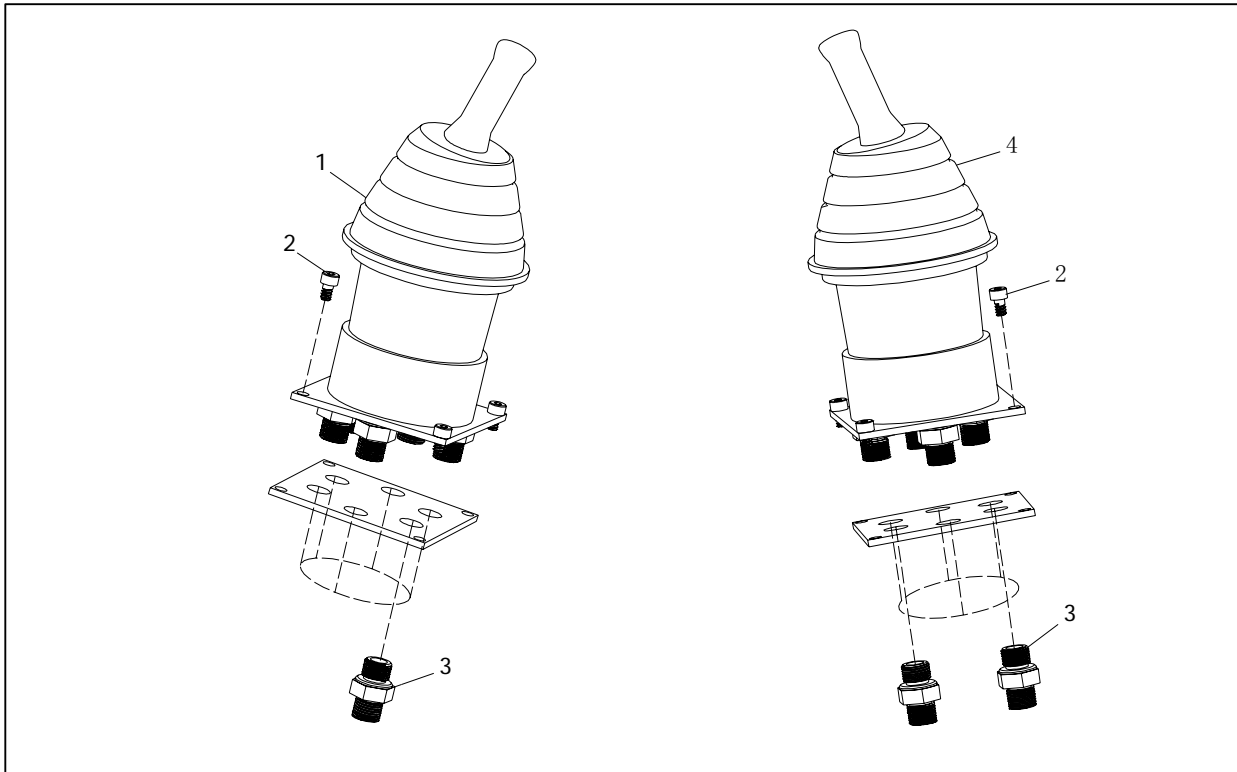
DUAL PEDAL PILOT VALVE INSTALLATION

ITEM	PART NUMBER	PART NAME	SPECIFICATION	QTY	REMARK
1	730101000010	Union	GE10LREDDOMDA3C	6	
2	730309000035	Dual Pedal Valve	JRCVP-A-2-02	1	
3	730102000015	Elbow	EW10LOMDA3C4	4	
4	701510008001	Lock Washer	8-ZnD GB93	4	
5	701102008002	Hexagon Cap Screw	M8X25-4.8-ZnD GB5781	4	
6	730104000018	Tee	ET10LOMDA3C	2	



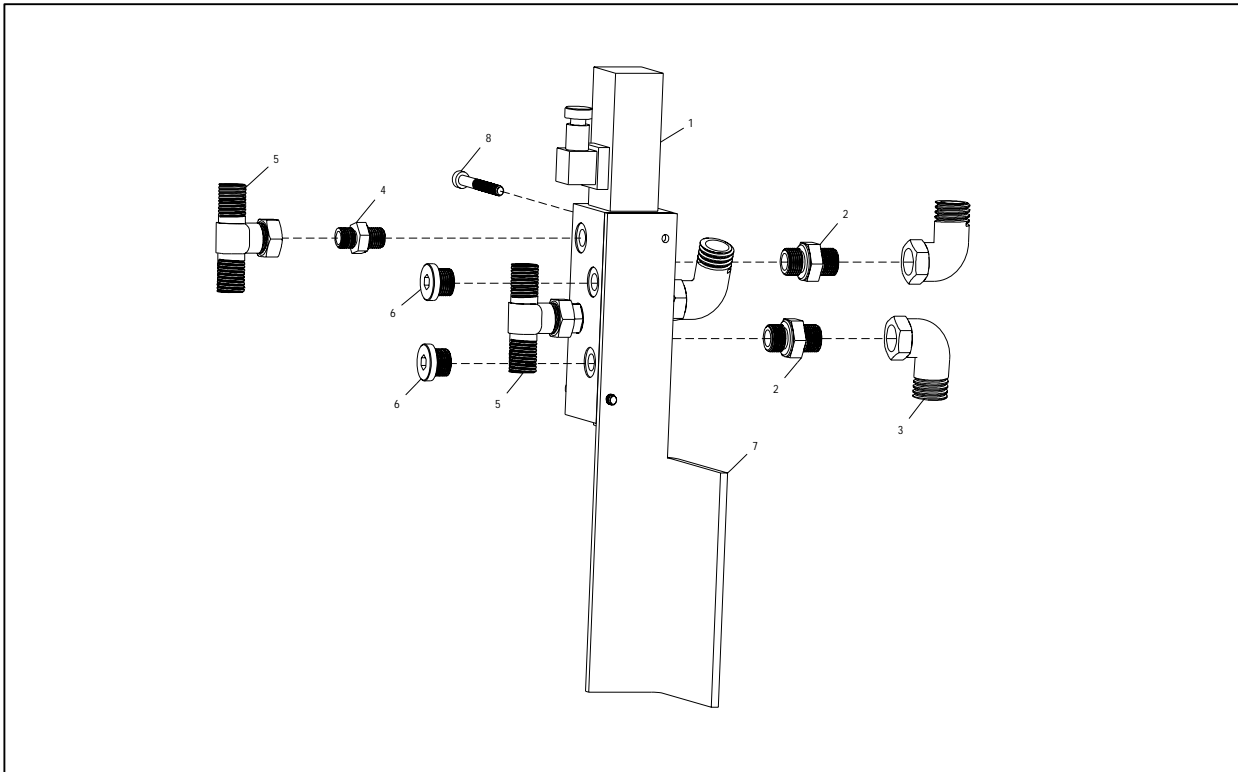
SHUT-OFF VALVE

ITEM	PART NUMBER	PART NAME	SPECIFICATION	QTY	REMARK
1	730305000021	Pilot Directional Valve	MH3WA06CG1X/004M01	1	
2	730101000079	Union	GE08LREDOMDA3C	2	
3	730101000010	Union	GE10LREDOMDA3C	3	
4	730104000023	Tee	EL10LOMDA3C	2	
5	302040000075	Plate		1	
6	701302006018	Socket Head Cap Screw	M6X65-8.8 GB70	2	
7	730102000010	Elbow	EW08LOMDA3C	2	



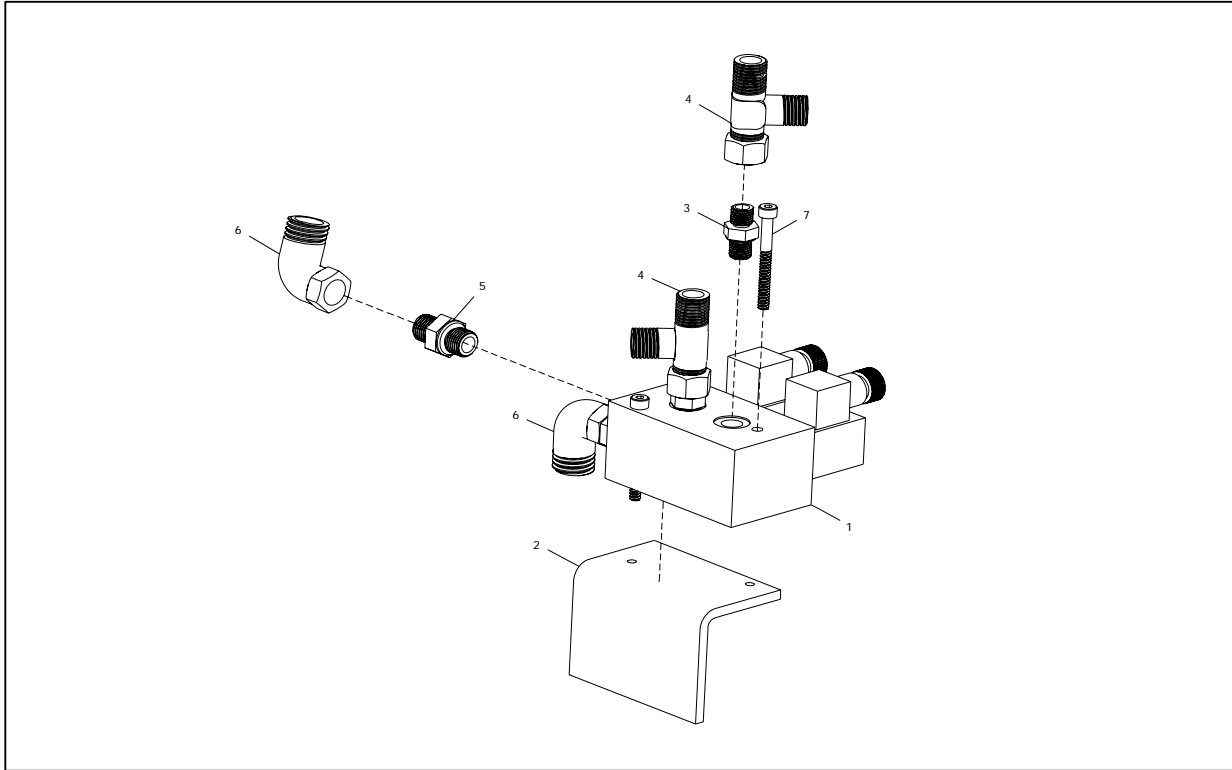
L.R. JOYSTICK PILOT VALVE INSTALLATION

ITEM	PART NUMBER	PART NAME	SPECIFICATION	QTY	REMARK
1	730309000061	Left Pilot Valve	HC-RCX-04-A02-MA F02F-03R*	1	
2	701309006001	Socket Head Cap Screw	M6X10 GB818	8	
3	730101000010	Union	GE10LREDOMDA3C	12	
4	730309000062	Right Pilot Valve	HC-RCX-04 A02 MAF02F00R4*	1	



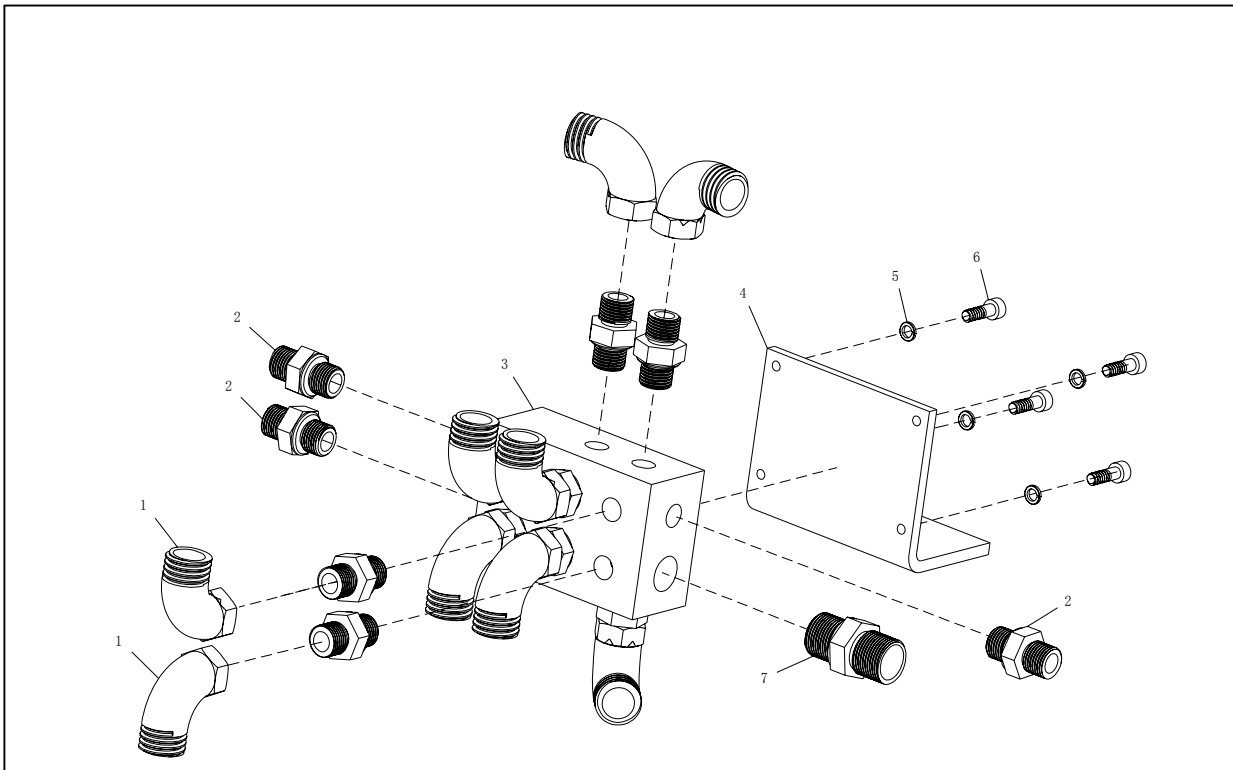
ELECTROMAGNETIC MULTI-DIRECTIONAL VALVE INSTALLATION

ITEM	PART NUMBER	PART NAME	SPECIFICATION	QTY	REMARK
1	73030500004	Back Pressure Controlled Valve	MH7WE06AG1X/AG24NZ4MO1	1	
2	730101000010	Union	GE10LREDDOMDA3C	3	
3	730102000015	Elbow	EW10LOMDA3C	3	
4	730101000079	Union	GE08LREDDOMDA3C	2	
5	730104000017	Tee	ET08LOMDA3C	2	
6	739806000001	Screw Plug	VST11/4EDA3C	2	
7	302540000092	Bracket		1	
8	701302006014	Socket Head Cap Screw	M6X60-8.8 GB70	2	



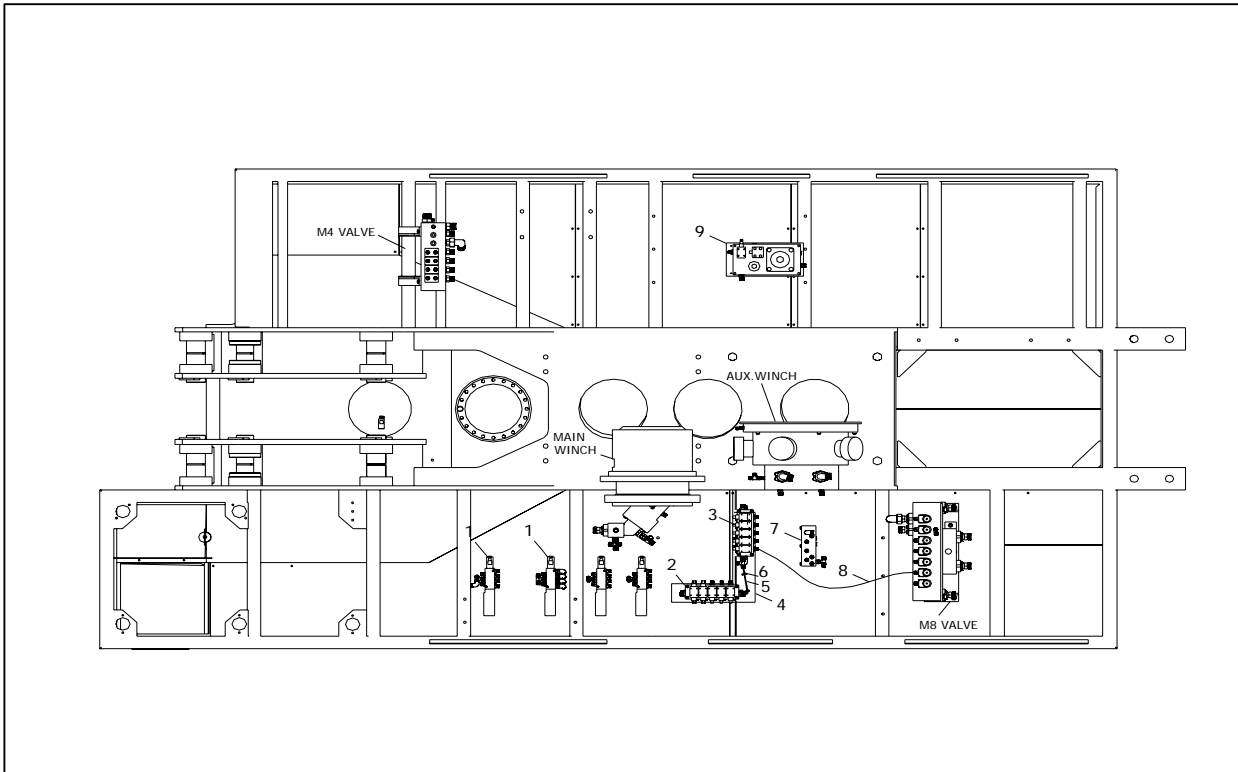
CONTROL VALVE

ITEM	PART NUMBER	PART NAME	SPECIFICATION	QTY	REMARK
1	730399000017	Proportional Pressure Relief Valve	MHFP04G2-1X/1BX30G24NK4M	1	
2	302040000076	Bracket		1	
3	730101000079	Union	GE08LREDDOMDA3C	2	
4	730104000028	Tee	WV08LOMDA3C	2	
5	730101000010	Union	GE10LREDDOMDA3C	2	
6	730102000015	Elbow	EW10LOMDA3C	2	
7	701302006018	Socket Head Cap Screw	M6X65-8.8 GB70	2	



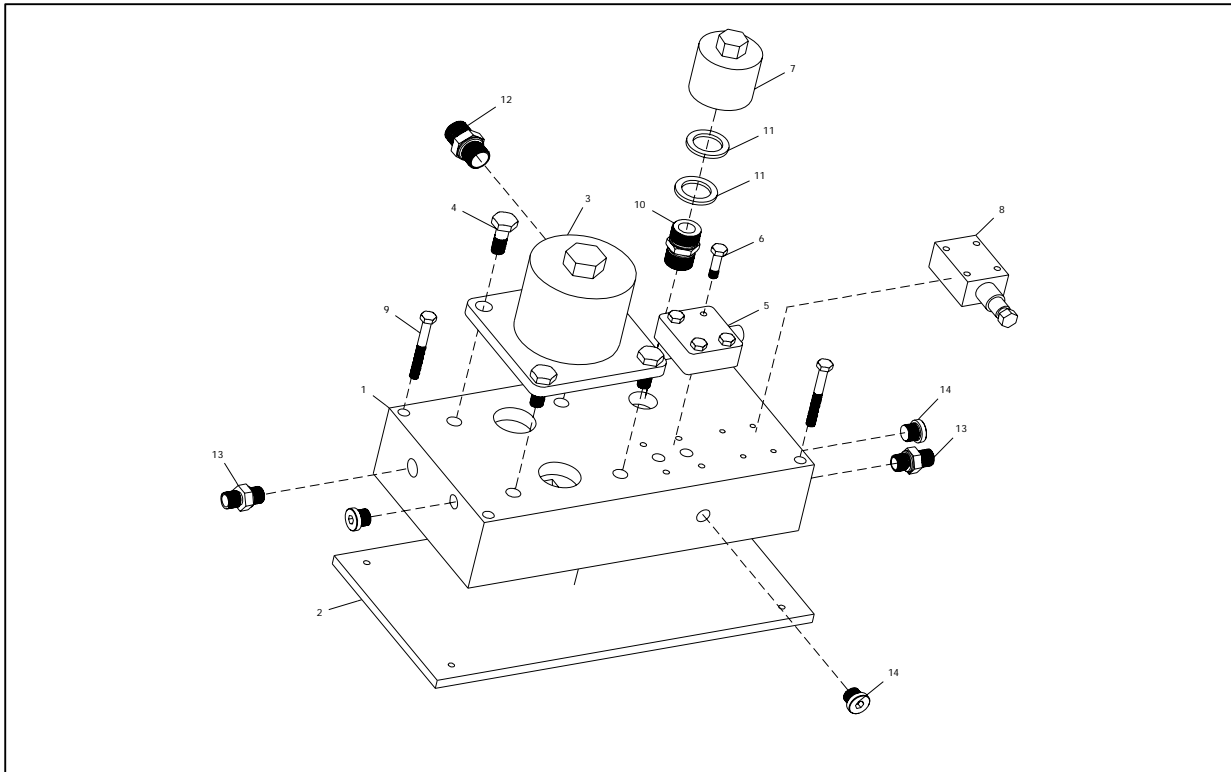
PILOT OIL DISTRIBUTOR INSTALLATION

ITEM	PART NUMBER	PART NAME	SPECIFICATION	QTY	REMARK
1	730102000015	Elbow	EW10LOMDA3C	9	
2	730101000005	Union	GE10LMEDOMDA3C	12	
3	307010502007	Pilot Oil Distributor	SWDM20	1	
4	302040000078	Bracket		1	
5	701510006001	Lock Washer	6 GB93	4	
6	701302006005	Socket Head Cap Screw	M6X20-8.8 GB70	4	
7	730101000004	Union	GE15LMEDOMDA3C	1	



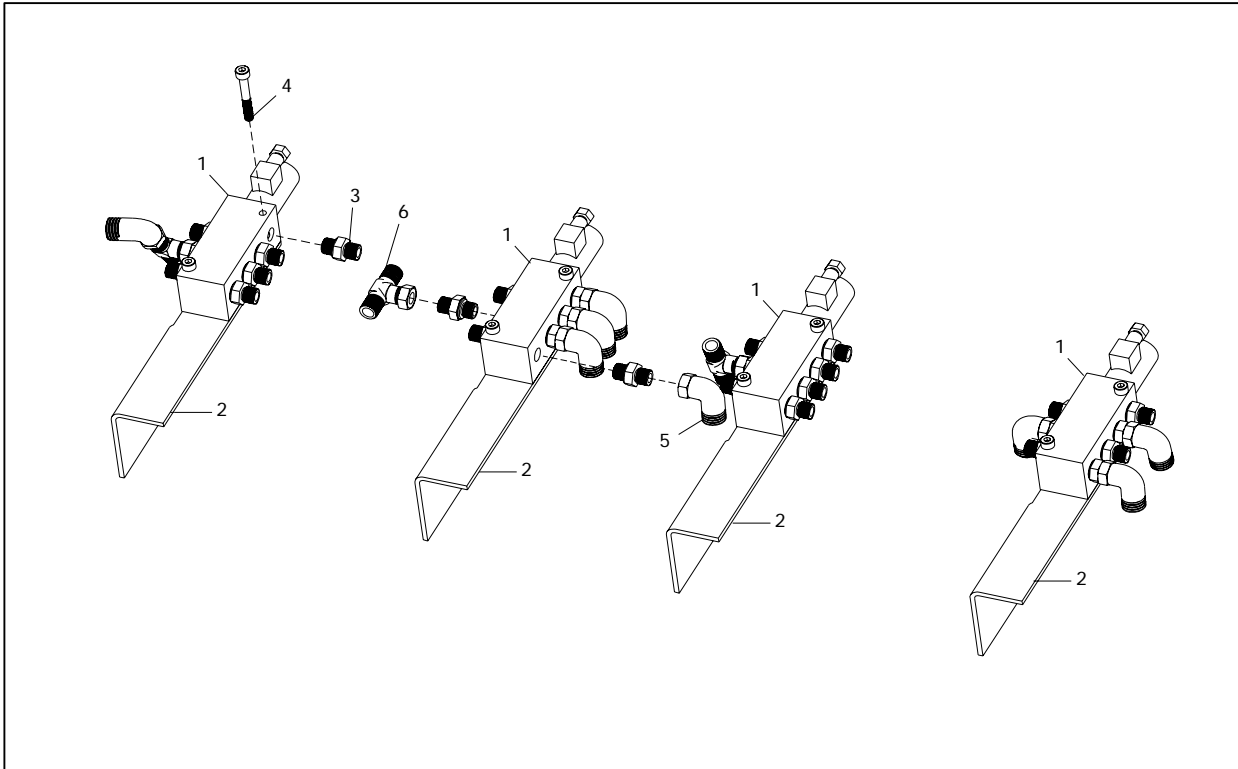
TURNTABLE PILOT LINE

ITEM	PART NUMBER	PART NAME	SPECIFICATION	QTY	REMARK
1	803696170200	Multi-directional Valve Installation		4	
2	803696170300	Solenoid Valve		1	
3	803696170400	Solenoid Valve		1	
4	302040000050	Solenoid Valve Plate		1	
5	710102020111	Seamless Pipe	15X2	0.25m	
6	751103000005	Nut	FM15LA3C	2	
7	803696170500	Shuttle Valve Installation		1	
8	803696170600	Pilot Line Rubber Hose Assembly		1	
9	803696170100	Pilot Hydraulic Oil Valve		1	



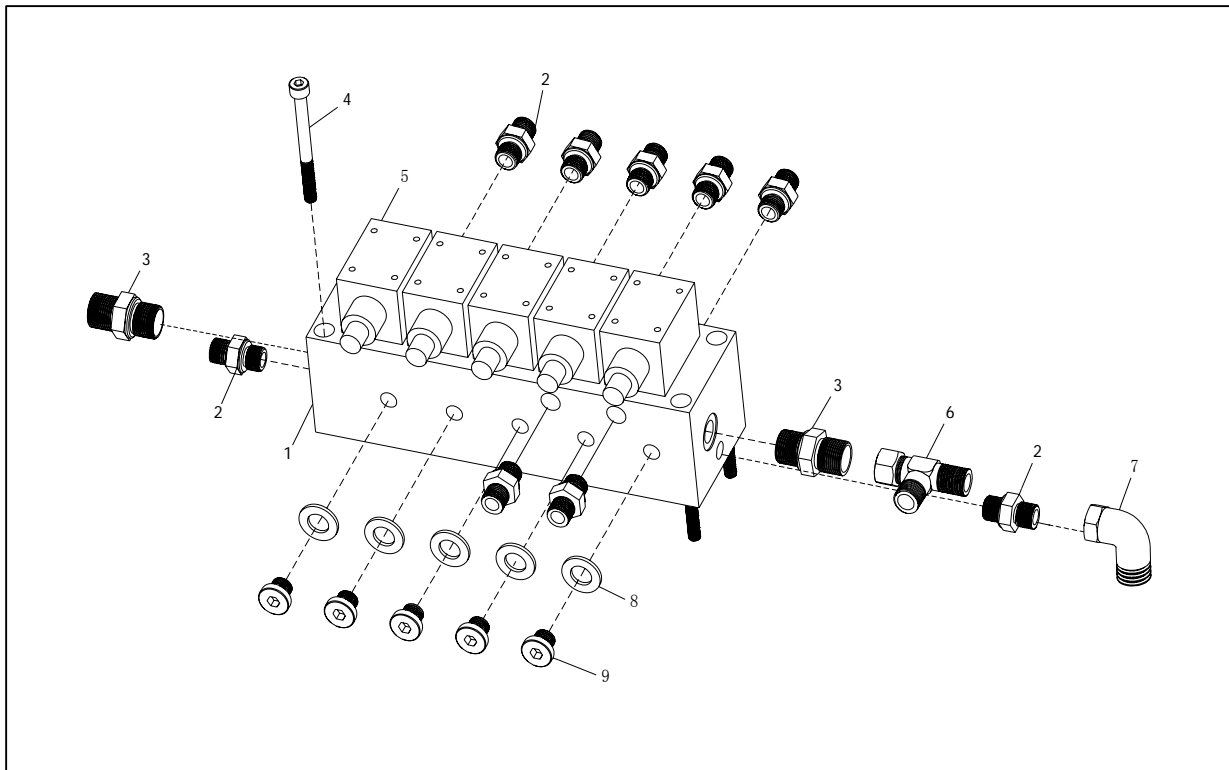
PILOT HYDRAULIC OIL VALVE

ITEM	PART NUMBER	PART NAME	SPECIFICATION	QTY	REMARK
1	307010704008	Pilot Hydraulic Oil Block	SWDM20	1	
2	302030000452	Plate		1	
3	730401000065	Pilot Filter	QUI-H40X20BD	1	
4	701103012012	Hexagon Cap Screw	M12X40-8.8 GB5782	4	
5	730301000038	Check Valve	RVP12-10	1	
6	701103006009	Hexagon Cap Screw	M6X35-8.8 GB5782	4	
7	739803000001	Power Storage	NXQA-0.63/10L	1	
8	730307000009	Solenoid Valve	D1VW4CNJP	1	
9	701103008006	Hexagon Cap Screw	M8X75-8.8 GB5782	4	
10	308010304018	Union	M27X2-M27X2	1	
11	703202027001	Flat Washer	27 JB982	2	
12	730101000004	Union	GE15LMEDOMDA3C	1	
13	730101000005	Union	GE10LMEDOMDA3C	2	
14	703266013201	Screw Plug	YS4-G1/4A JB/ZQ4179	3	



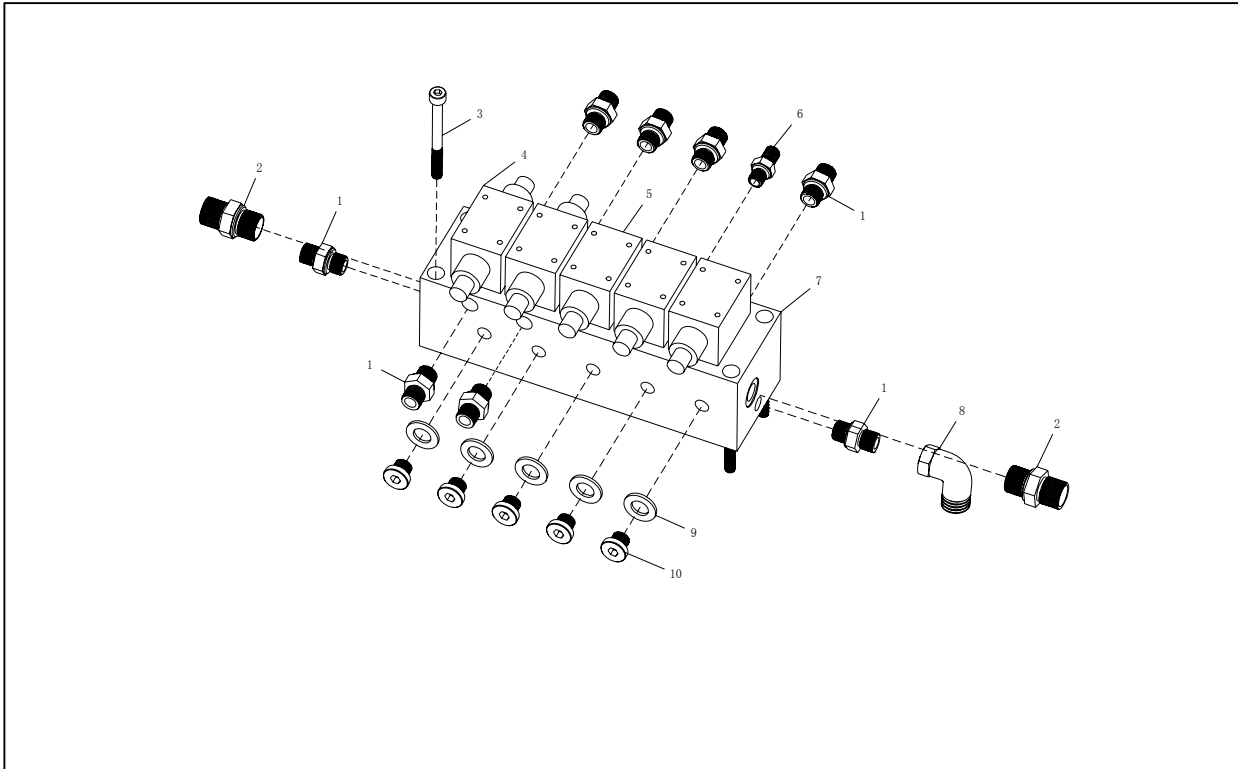
MULTI-DIRECTIONAL VALVE INSTALLATION

ITEM	PART NUMBER	PART NAME	SPECIFICATION	QTY	REMARK
1	730305000004	Back Pressure Controlled Valve	MH7WE06AG1X/AG24NZ4MO1	4	
2	302540000092	Bracket		4	
3	730101000010	Union	GE10LREDOMDA3C	28	
4	701302006014	Socket Head Cap Screw	M6X60-8.8 GB70	8	
5	730102000016	Elbow	EW10LOMDA3C	8	
6	730104000023	Tee	EL10LOMDA3C	3	



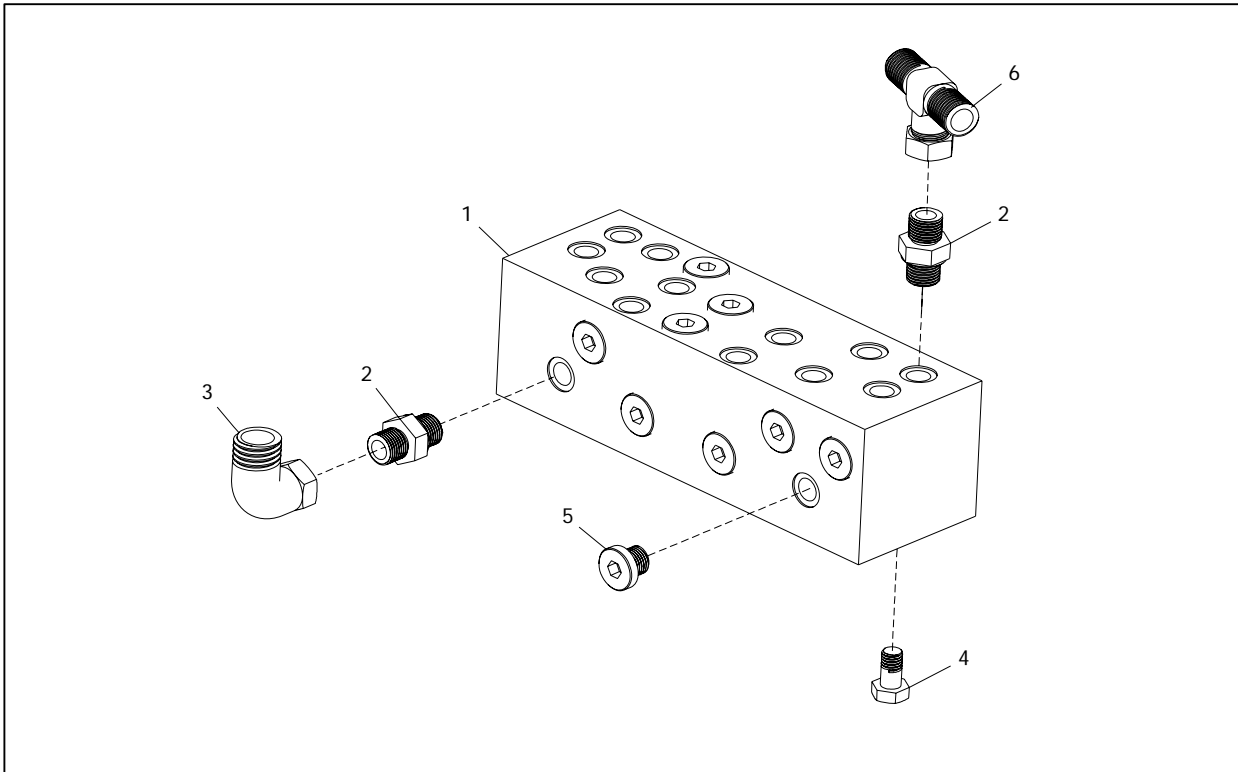
SOLENOID VALVE BANK

ITEM	PART NUMBER	PART NAME	SPECIFICATION	QTY	REMARK
1	307010604017	Solenoid Valve	SWDM20	1	
2	730101000005	Union	GE10LMEDOMDA3C	9	
3	730101000004	Union	GE15LMEDOMDA3C	2	
4	701302008011	Socket Head Cap Screw	M8X90-8.8 GB70	4	
5	730305000020	Electric Controlled, Hyd. Operated Directional Valve	D1VW20HNJP	5	
6	730104000022	Tee	EL15LOMDA3C	1	
7	730102000015	Elbow	EW10LOMDA3C	1	
8	703202014002	Nut	14 JB982	5	
9	703206014001	Screw Plug	M14X1.5 GB1001.3	5	



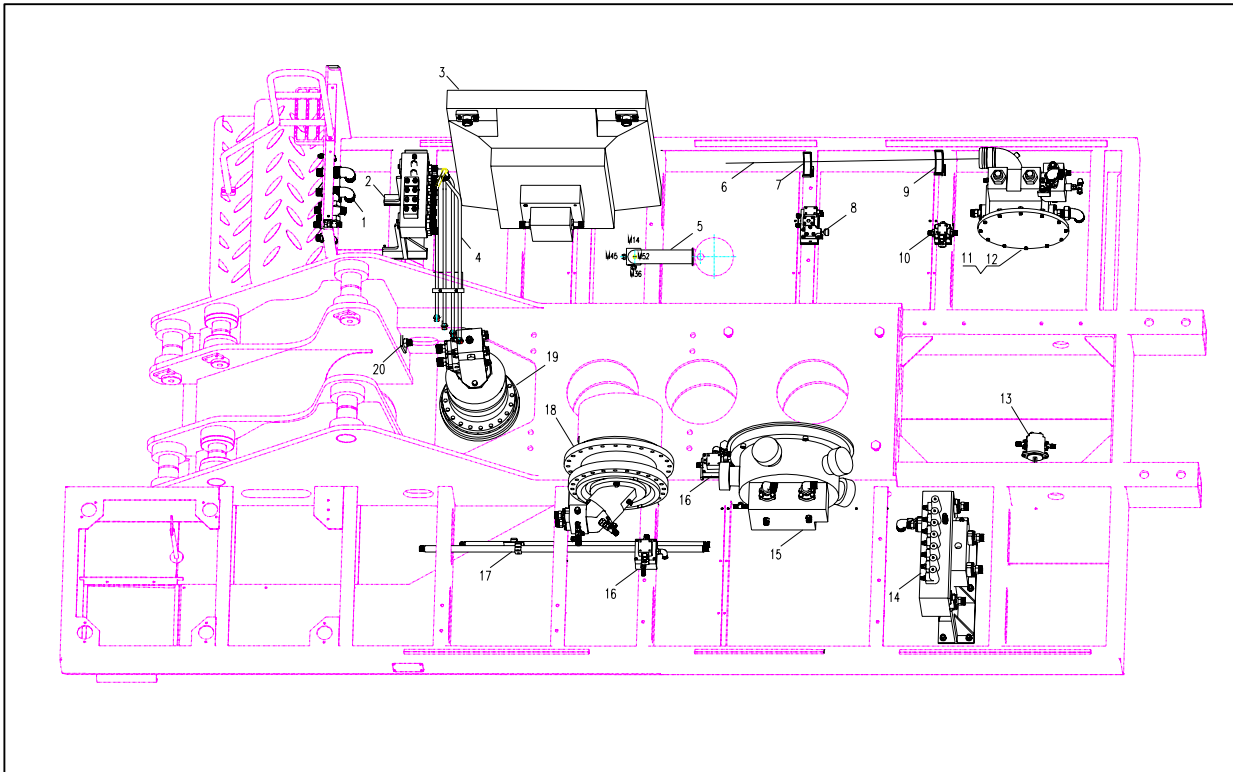
SOLENOID VALVE BANK

ITEM	PART NUMBER	PART NAME	SPECIFICATION	QTY	REMARK
1	730101000005	Union	GE10LMEDOMDA3C	8	
2	730101000004	Union	GE15LMEDOMDA3C	2	
3	701302008011	Socket Head Cap Screw	M8X90-8.8 GB70	4	
4	730307000009	Solenoid Valve	D1VW4CNJP	2	
5	730305000020	Electric Controlled Hyd. Operated Directional Control Valve	D1VW20HNJP	3	
6	730101000055	Union	GE08LMEDOMDA3C	1	
7	307010604018	Solenoid Valve Block	SWDM20	1	
8	730102000015	Elbow	EW10LOMDA3C1	1	
9	703202014002	Nut	JB982	5	
10	703206014001	Screw Plug	M14X1.5 GB1001.3	1	



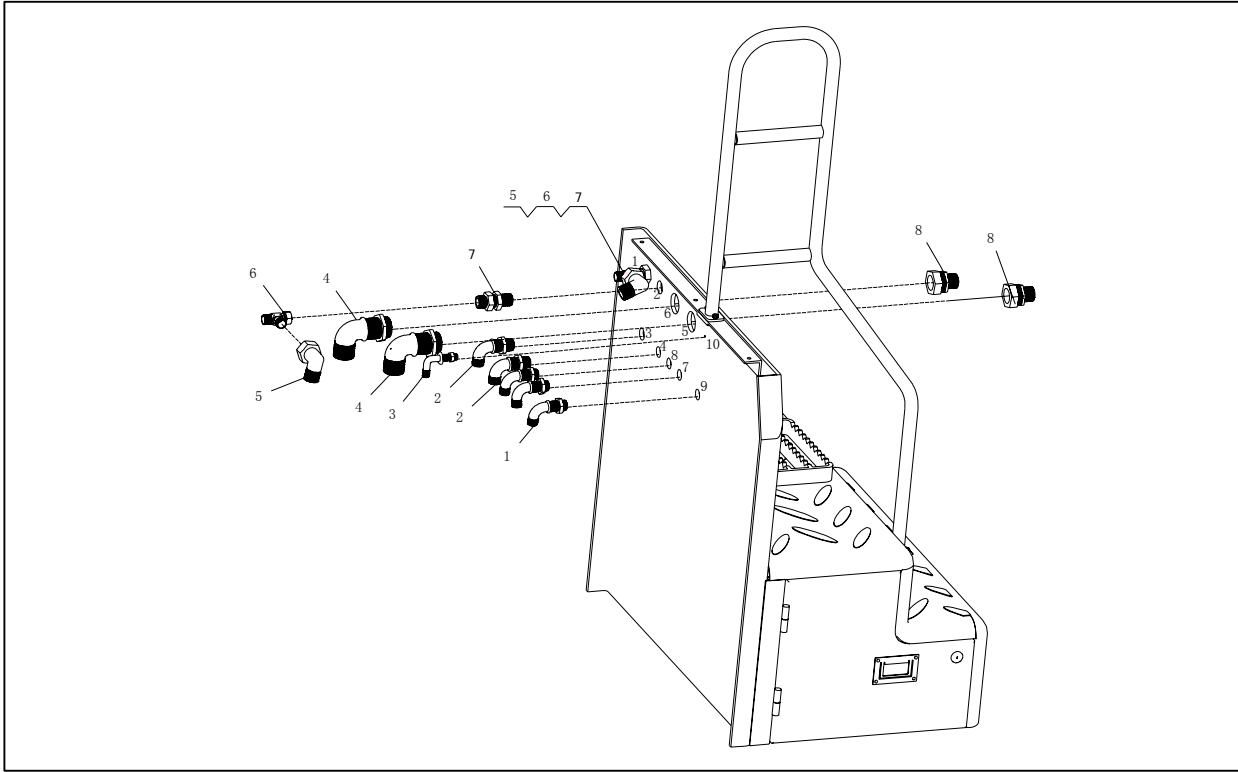
SHUTTLE VALVE

ITEM	PART NUMBER	PART NAME	SPECIFICATION	QTY	REMARK
1	73030800007	LS Shuttle Valve Block	R90002S710	1	
2	730101000010	Union	GE10LREDDMDA3C	13	
3	730102000015	Elbow	EW10LOMDA3C	1	
4	701103010002	Hexagon Cap Screw	M10X25-8.8 GB5782	3	
5	703266013201	Crew Plug	YS4-G1/4A JB/ZQ4179	9	
6	730104000023	Tee	EL10LOMDA3C	12	



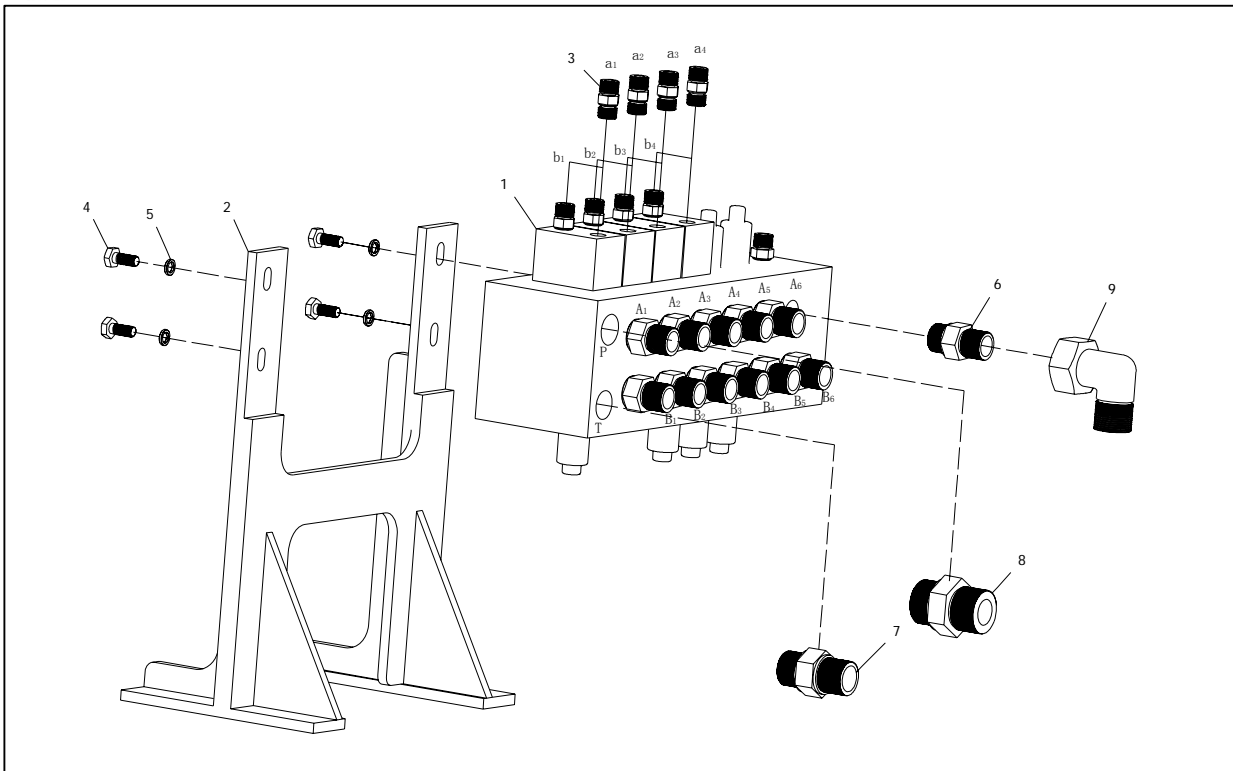
TURNTABLE MAIN HYDRAULIC LINE ASSEMBLY

ITEM	PART NUMBER	PART NAME	SPECIFICATION	QTY	REMARK
1	803696180100	Tool Box Connector Assembly		1	
2	803696180200	M4 Valve Installation Assembly		1	
3	803696180300	Radiator		1	
4	803696180800	L.R. Tilting Steel Pipe Assembly		1	
5	730540000052	Oil Return Pipe	Shanhe01	1	
6	803696181500	Rubber Hose Assembly		1	
7	803696181900	Oil Suction Pipe Support		1	
8	803696180500	Lubrication Shift Valve		1	
9	803696182000	Oil Suction Pipe Support		1	
10	803696180600	Electromagnetic Overflow Valve		1	
11	803696180700	Pump		1	
12	701901135001	Hose Clamp	6X JB/T8870	4	
13	803696181800	Lubrication Pump		1	
14	803696181700	M8 Valve Installation		1	
15	803696181600	Aux. Winch Installation		1	
16	803696181400	Pressure Fluctuation Solenoid Valve		2	
17	803696181100	Steel Pipe		1	
18	803696181300	Main Winch Motor		1	
19	803696181200	Motor Installation		1	
20	803696181000	Connector Installation		2	



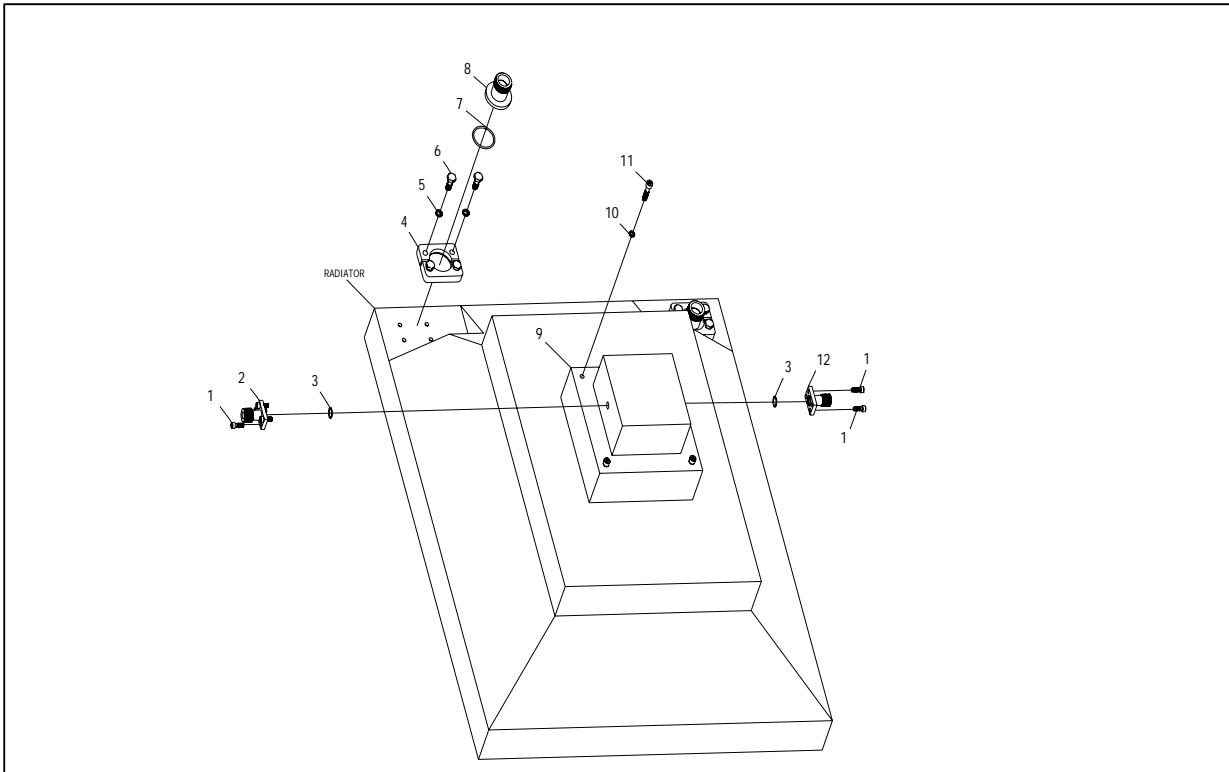
TOOL BOX CONNECTOR ASSEMBLY

ITEM	PART NUMBER	PART NAME	SPECIFICATION	QTY	REMARK
1	730103000006	Elbow	WSV18LOMDA3C	3	
2	730103000004	Elbow	WSV20SOMDA3C	2	
3	730103000007	Elbow	WSV10LOMDA3C	1	
4	730103000005	Elbow	WSV38SOMDA3C	2	
5	730102000012	Elbow	EW20SOMDA3C	2	
6	730104000024	Tee	EL20SOMDA3C	2	
7	730101000037	Union	SV20SOMDA3C	2	
8	730101000149	Union Cross Over	RED38/30SOMDA3C	2	



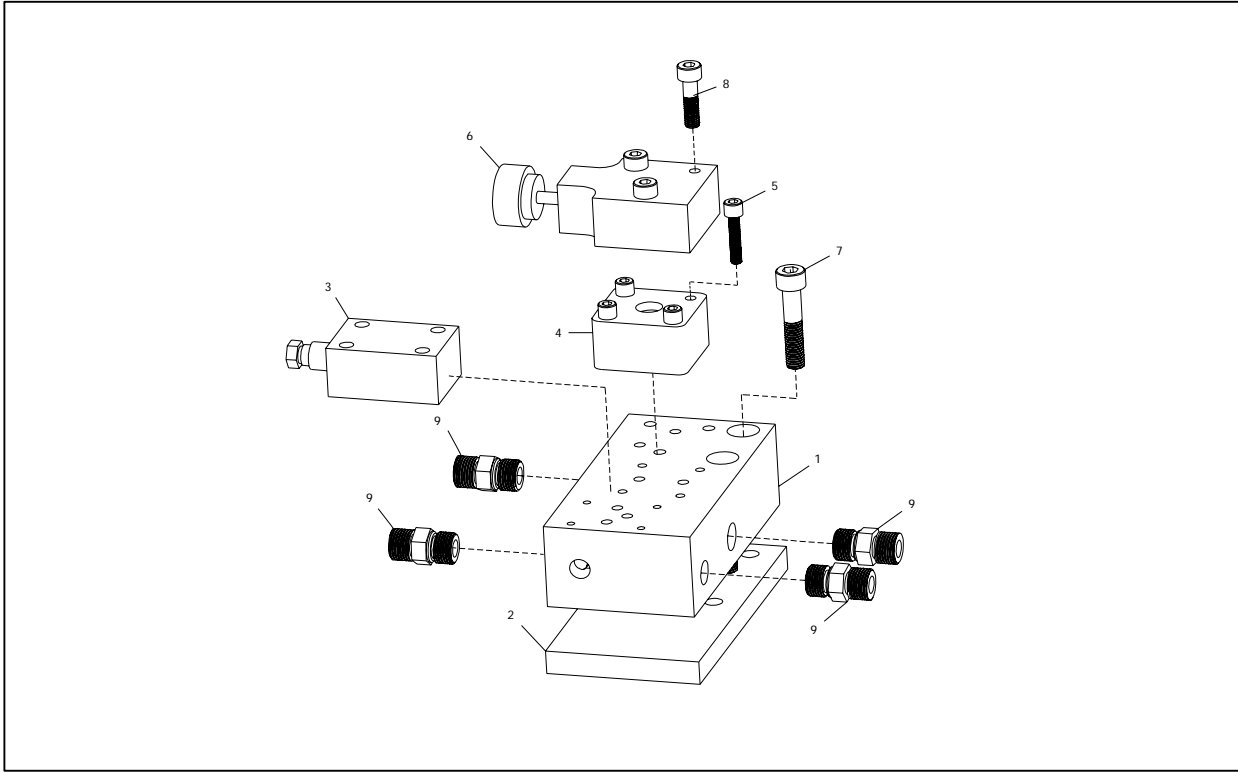
M4 VALVE ASSEMBLY

ITEM	PART NUMBER	PART NAME	SPECIFICATION	QTY	REMARK
1	730301000037	Control Valve	M8-1356-00/7M8-22	1	
2	803696180210	M4 Valve Bracket		1	
3	730101000010	Union	GE10LREDOMDA3C	10	
4	701103010002	Hexagon Cap Screw	M10X25-8.8 GB5782	4	
5	701510010001	Lock Washer	10-ZnD GB93	4	
6	730101000024	Union	GE20SREDOMDA3C	12	
7	730101000025	Union	GE28LREDOMDA3C	1	
8	730101000163	Union	GE30SR1EDOMDA3C	1	
9	730102000012	Elbow	EW20SOMDA3C	4	



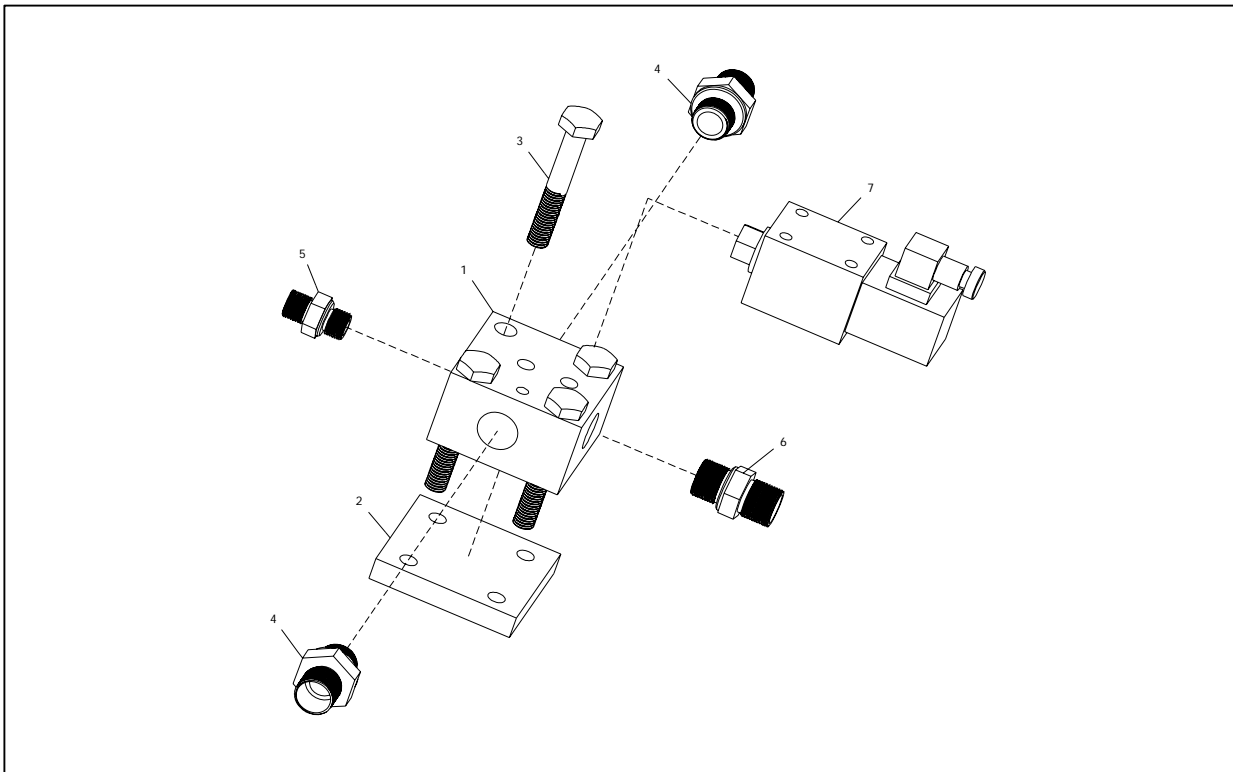
RADIATOR ASSEMBLY

ITEM	PART NUMBER	PART NAME	SPECIFICATION	QTY	REMARK
1	701302008004	Socket Head Cap Screw	M8X25-8.8 GB70	8	
2	308010000009	Flange Connector	M26X1.5	1	
3	703201020003	O-ring	20X1.8 GB3452.1	2	
4	305020000009	Flange		2	
5	701510012001	Lock Washer	12 GB93	8	
6	701104012012	Hexagon Cap Screw	M12X40-8.8 GB5783	8	
7	703201056001	O-ring	56X3.55 GB3452.1	1	
8	308010000010	Flange Connector	M45X2	1	
9	730250000044	Condenser Motor	YLZ-500	1	
10	701510010001	Lock Washer	10-ZnD GB93	4	
11	701302010009	Socket Head Cap Screw	M10X45-8.8 GB70	4	
12	308010000008	Flange Connector	M30X2	1	



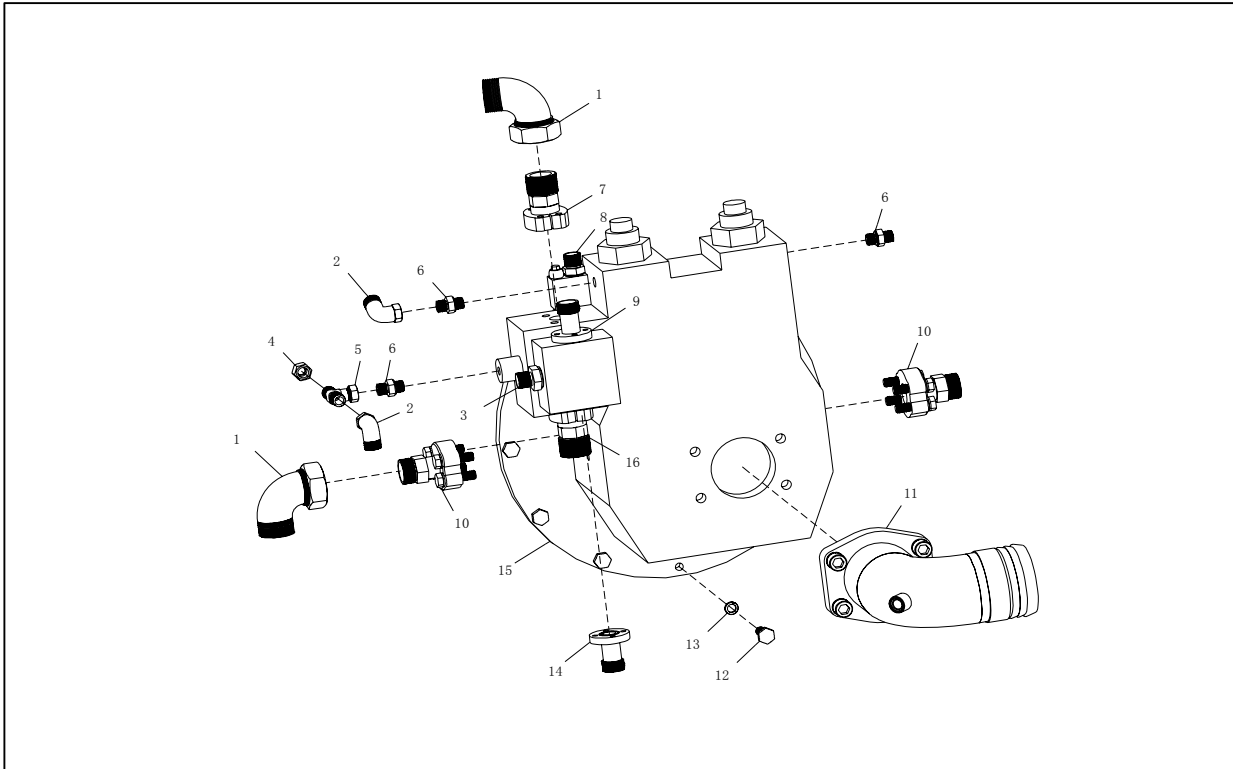
LUBRICATION GEAR SHIFT VALVE

ITEM	PART NUMBER	PART NAME	SPECIFICATION	QTY	REMARK
1	307010503005	Lubrication Gear Shift Valve Block	SWDM20	1	
2	302030000426	Plate		1	
3	730305000020	Electric Controlled Hydraulic Operated Directional Contro	D1VW20HNJP	1	
4	730311000001	One Way Throttle Valve	DVP10	1	
5	701302006007	Socket Head Cap Screw	M6X25-8.8 GB70	4	
6	730303000021	Overflow Valve	P-B10B	1	
7	701302010010	Socket Head Cap Screw	M10X50-8.8 GB70	2	
8	701302080013	Socket Head Cap Screw	M8X50-8.8 GB70	3	
9	730101000005	Union	GE10LMEDOMDA3C	4	



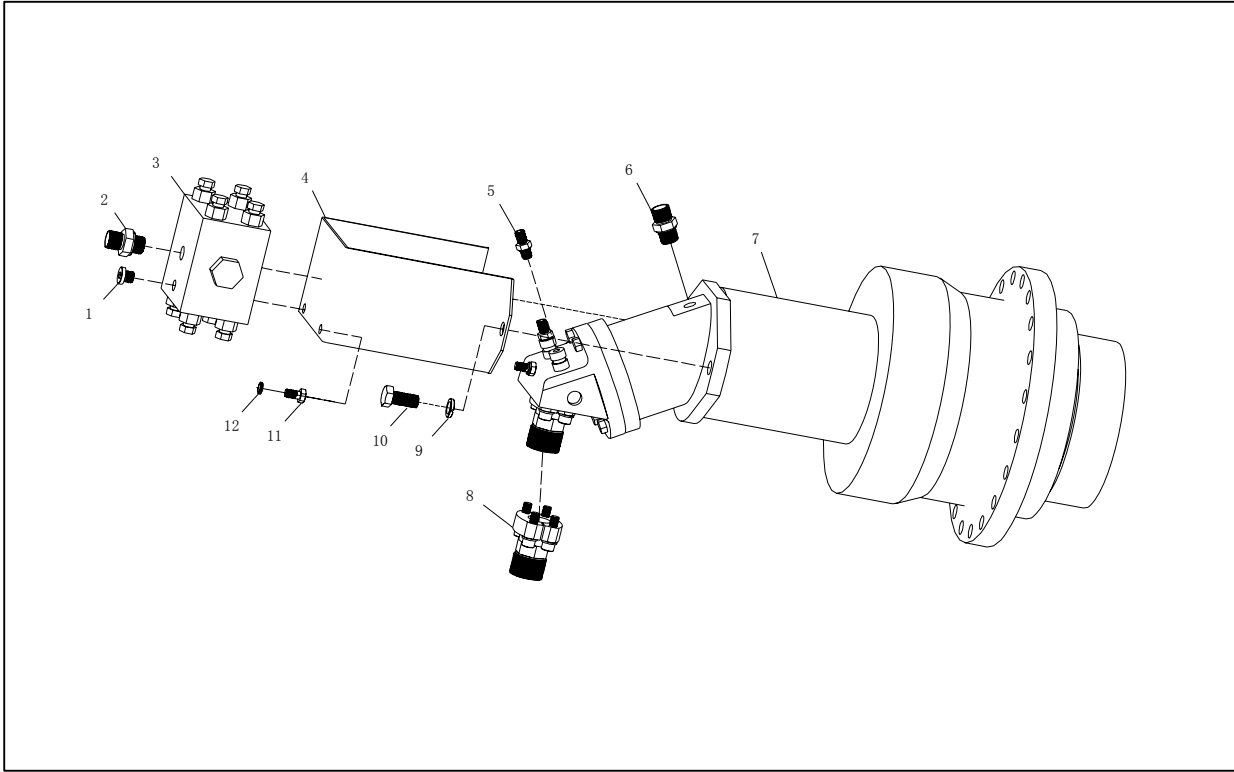
ELECTROMAGNETISM OVERFLOW VALVE

ITEM	PART NUMBER	PART NAME	SPECIFICATION	QTY	REMARK
1	307010501004	Electromagnetic Overflow Valve Block	SWDM20	1	
2	302030000428	Plate		1	
3	701104012004	Hexagon Cap Screw	M12X90-8.8 GB5783	4	
4	730101000041	Union	GE20SMEDOMDA3C	2	
5	730101000010	Union	GE10LREDDOMDA3C	1	
6	730101000016	Union	GE18LMEDOMDA3C	1	
7	730303000014	Pilot Overflow Valve	DBW10A3-5X/315-6EG24N9K4	1	



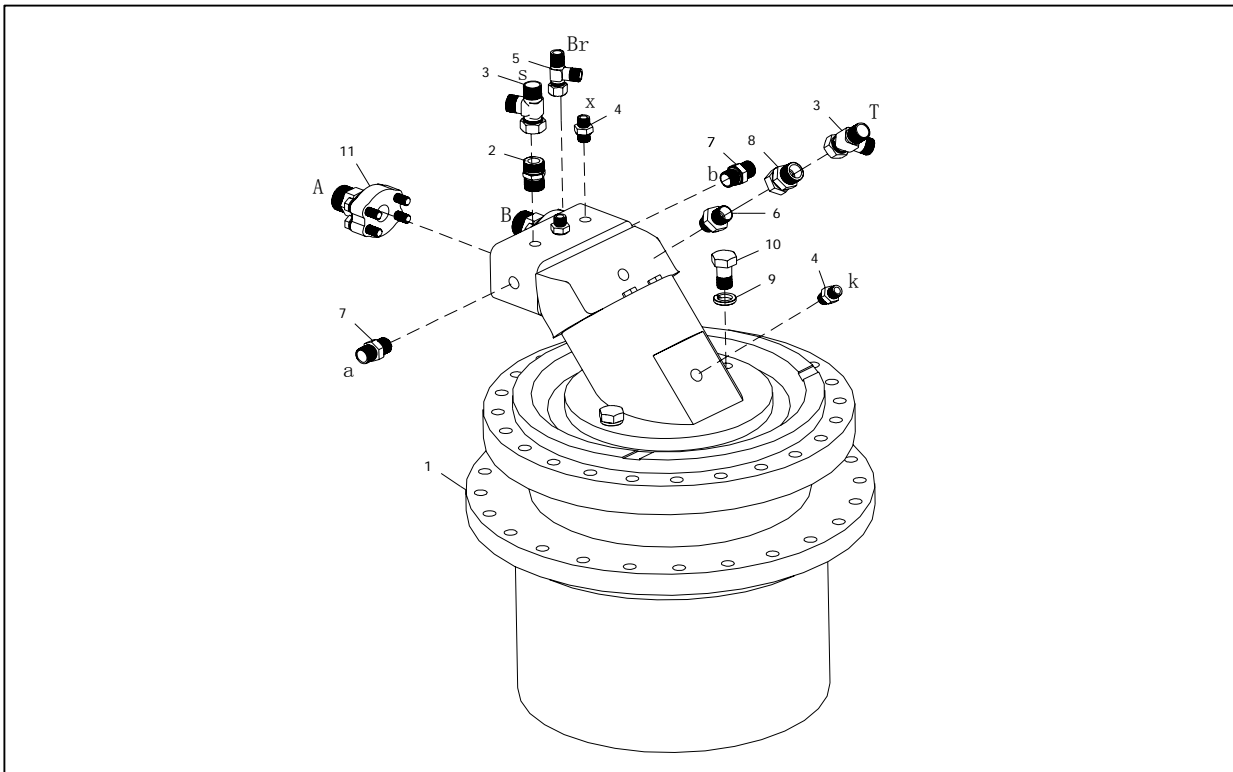
PUMP

ITEM	PART NUMBER	PART NAME	SPECIFICATION	QTY	REMARK
1	730102000024	Elbow	EW30SOMDA3C	2	
2	730102000015	Elbow	EW10LOMDA3C	2	
3	730101000127	Union	GE22LM22X1.5EDOMDA3C	1	
4	751103000002	Nut	FM10LA3C	4	
5	730104000018	Tee	ET10LOMDA3C	1	
6	730101000005	Union	GE10LMEDOMDA3C	3	
7	730101000125	Flange Connector	GFS34/30SOMDA3C		
8	730101000004	Union	GE15LMEDOMDA3C	1	
9	308010000013	Flange Connector	M30X2	1	
10	730101000124	Flange Connector Block	GFS64/30SOMDA3C2		
11	803696040110	Oil Suction Pump Connector	A8V107	1	
12	701103010005	Hexagon Cap Screw	M10X40-8.8 GB5782	12	
13	701510010001	Lock Washer	10-ZnD GB93	12	
14	308010000014	Flange Connector	M30X2	1	
15	730249000006	Main Pump+Constant Pressure Pump+Gear Pump		1	
16	730101000126	Flange Connector Block	GFS36/42LOMDA3C	1	



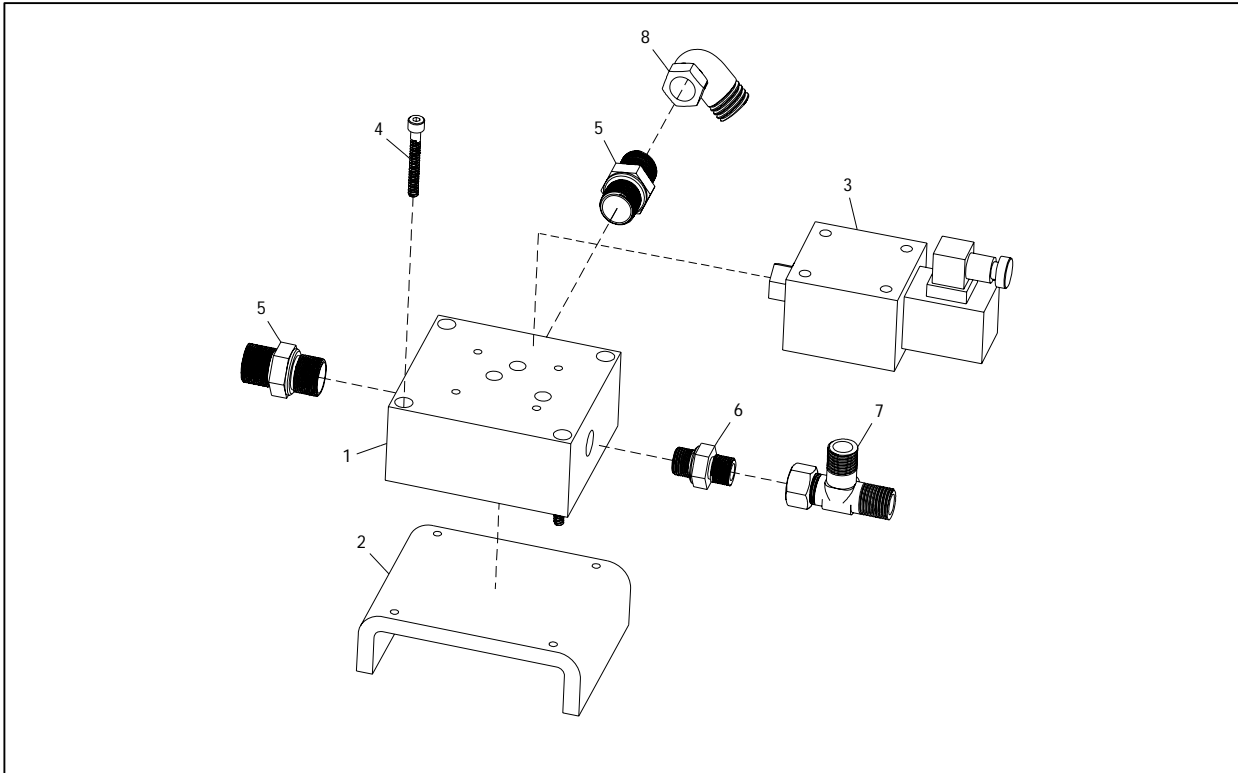
SWING MOTOR ASSEMBLY

ITEM	PART NUMBER	PART NAME	SPECIFICATION	QTY	REMARK
1	739806000001	Screw Plug	VST11/4EDA3C	1	
2	730101000168	Union	GE22LR1/2EDOMDA3C	1	
3	730399000035	Buffering Valve	57147030420	1	
4	302490000159	Buffering Valve Bracket		1	
5	730101000079	Union	GE08LREDDOMDA3C	2	
6	730101000144	Union	GE18ZLM18X1.5EDA3C	1	
7	730250000039	Speed Reducer	GFB36T3B68-01	1	
8	730101000117	Flange Connector Block	GFS63/25SOMDA3C	2	
9	701510016002	Lock Washer	16-ZND GB93	2	
10	701104016008	Tap Screw	M16X45-8.8 GB5783	2	
11	701104010004	Hexagon Cap Screw	M10X25-8.8 GB5783	2	
12	701510010001	Lock Washer	10-ZnD GB93	2	



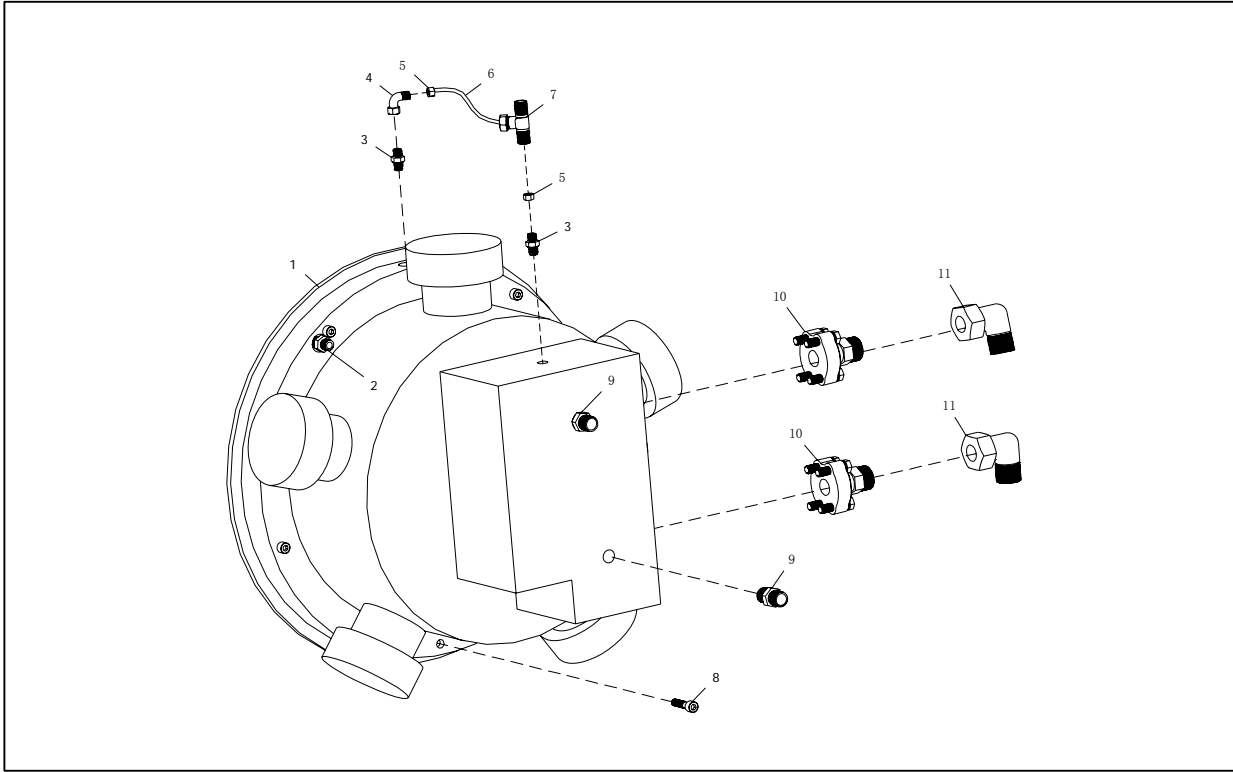
MAIN WINCH MOTOR ASSEMBLY

ITEM	PART NUMBER	PART NAME	SPECIFICATION	QTY	REMARK
1	73025100009	Main Hydraulic Drum	GFT80W3B99+A6VE160	1	
2	308010304025	Union	B-GE-M27-M30	1	
3	730104000027	Tee	EL22LOMDA3C	2	
4	730101000005	Union	GE10LMEDOMDA3C	3	
5	730104000028	Tee	WV08LOMDA3C	1	
6	730101000033	Union	GE22LMEDOMDA3C	1	
7	730101000004	Union	GE15LMEDOMDA3C	2	
8	730101000122	Union	RED22/10LOMDA3C	1	
9	701510020001	Lock Washer	20 GB93	2	
10	701103020022	Hexagon Cap Screw	M20X50-10.9 GB5782	2	
11	730101000148	Flange Connector Block	GFS65/30SOMDA3C	2	



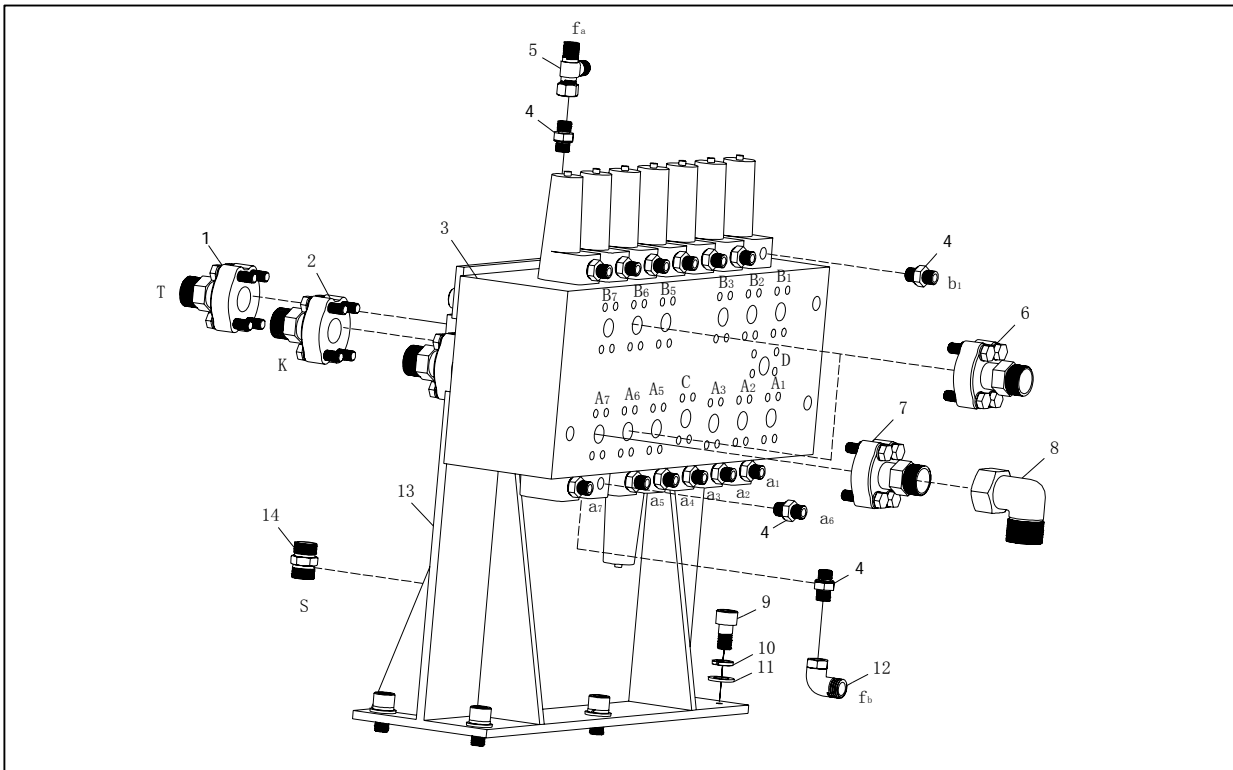
FLUCTUATION SOLENOID VALVE

ITEM	PART NUMBER	PART NAME	SPECIFICATION	QTY	REMARK
1	307010602006	Fluctuation Solenoid Valve Block	SWDM20	1	
2	302510000104	Bracket		1	
3	730307000008	Solenoid Valve	D3DW26HNJP	1	
4	701103006016	Socket Head Cap Screw	M6X45-8.8-ZnD GB5782	4	
5	730101000004	Union	GE15LMEDOMDA3C	2	
6	730101000005	Union	GE10LMEDOMDA3C	1	
7	730104000023	Tee	EL10LOMDA3C	1	
8	730102000013	Elbow	EW15LOMDA3C	2	



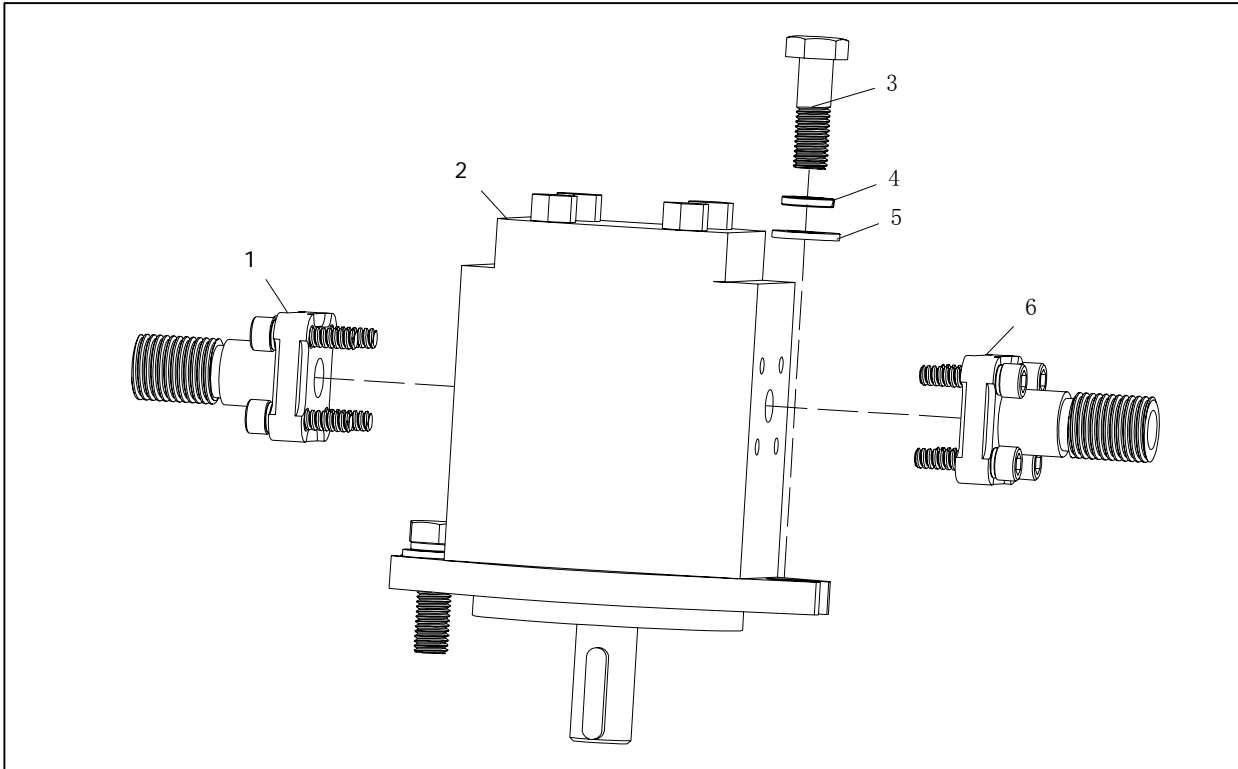
AUXILIARY WINCH INSTALLATION

ITEM	PART NUMBER	PART NAME	SPECIFICATION	QTY	REMARK
1	73025100007	Hydraulic Drum	HGJ35-80-85-20-ZP	1	
2	73010100005	Union	GE10LMEDOMDA3C	1	
3	730101000055	Union	GE08LMEDOMDA3C	2	
4	730102000010	Elbow	EW08LOMDA3C	2	
5	751103000015	Nut	FM08LA3C	2	
6	710162010001	Steel Pipe	ST35 TP8X1	0.5m	
7	730399000019	Valve	WV08LA3C	1	
8	701302010008	Socket Head Cap Screw	M10X40-8.8 GB70	5	
9	308010203026	Union	B-GE-M14-M22	2	
10	730101000120	Flange Connector Block	GFS64/25SOMDA3C	2	
11	730102000023	Elbow	EW25SOMDA4C	2	



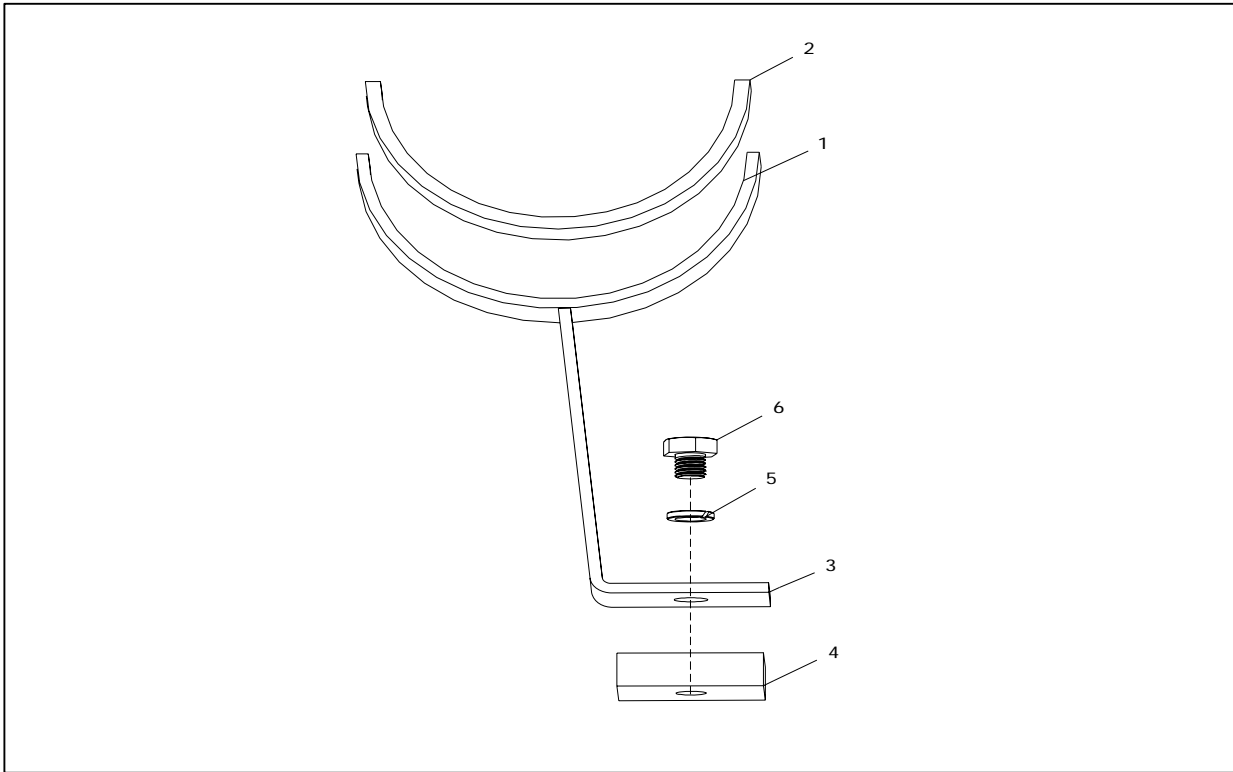
M8 VALVE INSTALLATION

ITEM	PART NUMBER	PART NAME	SPECIFICATION	QTY	REMARK
1	730101000126	Flange Connector Block	GFS36/42LOMDA3C	1	
2	730101000131	Flange Connector Block	GFS35/35LOMDA3C	1	
3	730301000037	Control Valve	M8-1356-00/7M8-22	1	
4	730101000010	Union	GE10LREDOMDA3C	17	
5	730104000023	Tee	EL10LOMDA3C	1	
6	730101000124	Flange Connector Block	GFS64/30SOMDA3C	4	
7	730101000117	Flange Connector Block	GFS63/25SOMDA3C	12	
8	730102000024	Elbow	EW30SOMDA3C	2	
9	701302016003	Socket Head Cap Screw	M16X30-8.8 GB70	9	
10	701504016001	Lock Washer	16-ZnD GB97.1	9	
11	701510016001	Lock Washer	16 GB93	9	
12	730102000015	Elbow	EW10LOMDA3C	1	
13	803696181710	M8 Bracket	M8	1	
14	308010304014	Union	B-GE-M33-M30	1	



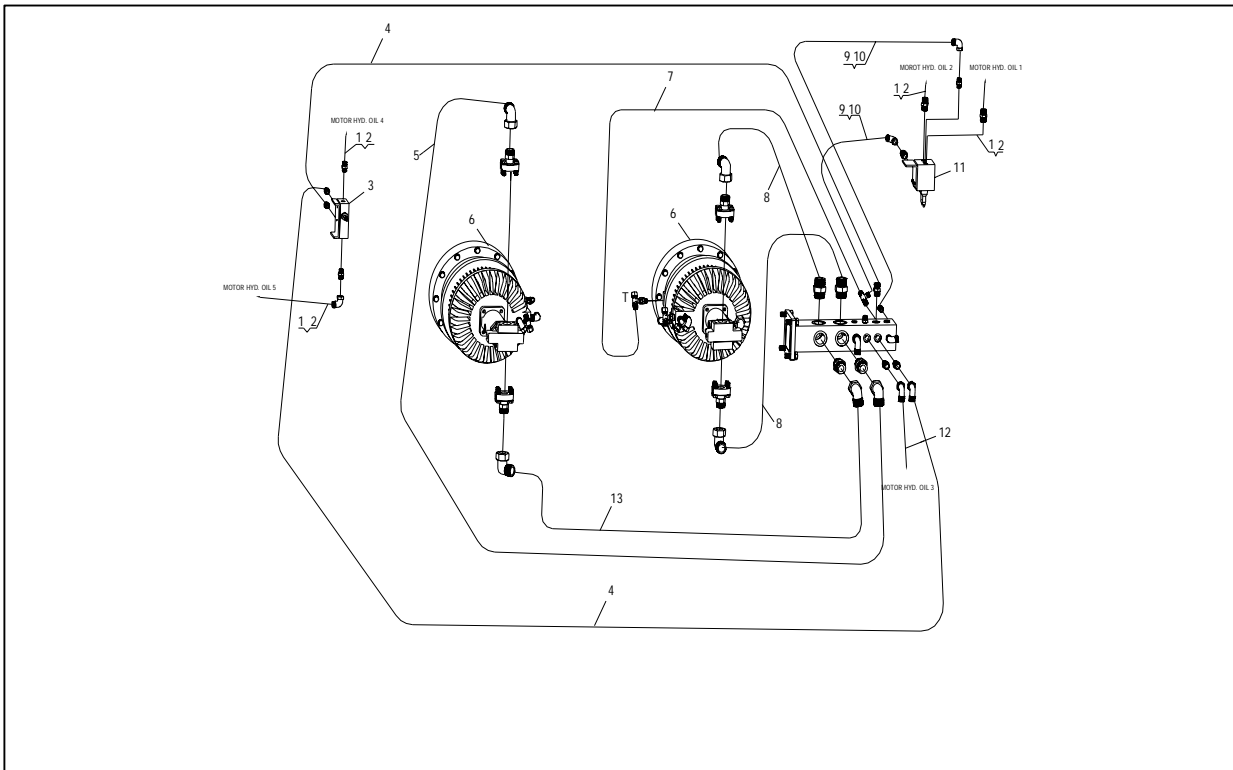
LUBRICATION PUMP INSTALLATION

ITEM	PART NUMBER	PART NAME	SPECIFICATION	QTY	REMARK
1	73980700001	Square Flange	BFG15L/LK400MDA3C	1	
2	730202000004	Gear Pump	CBWK-E306-AFL	1	
3	701103010005	Hexagon Cap Screw	M10X40-8.8 GB5782	2	
4	701510010001	Lock Washer	10-ZnD GB93	2	
5	701501010001	Lock Washer	10 GB95	2	
6	730199000014	Square Flange	BFG12ZL/LK35A3C	1	



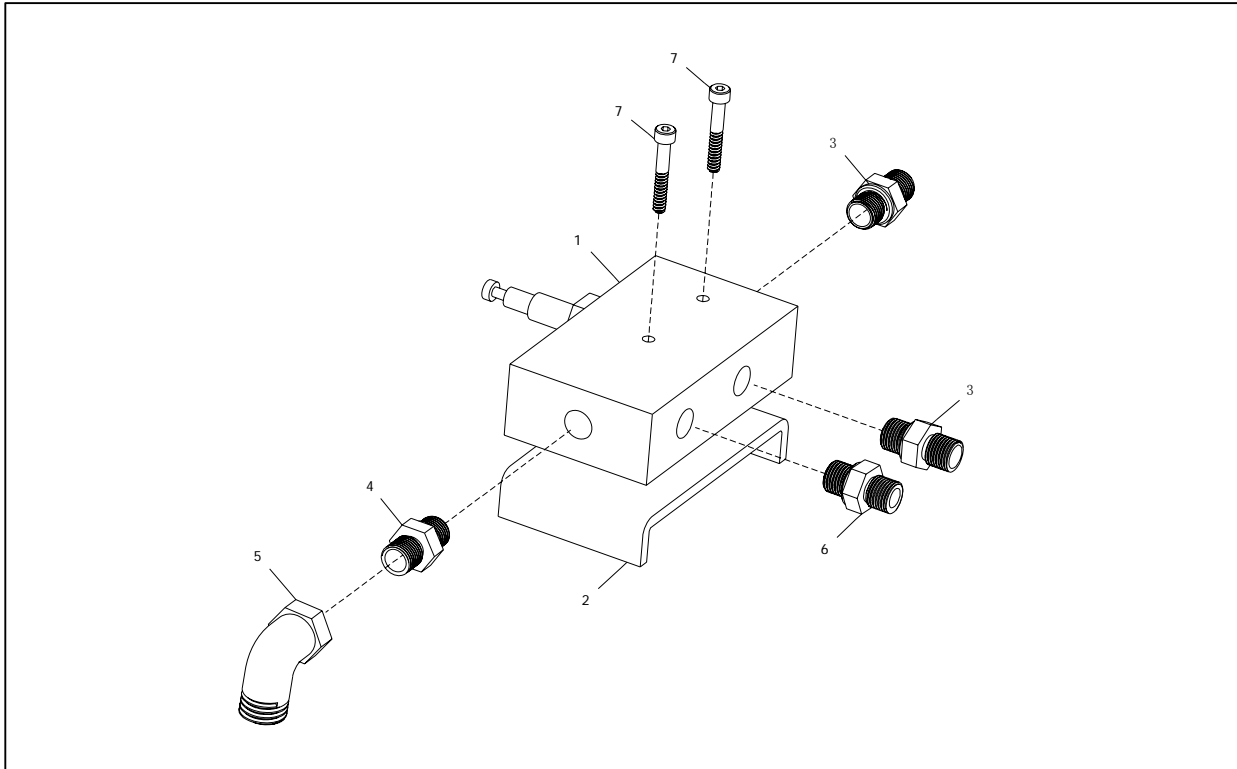
OIL SUCTION PIPE BRACKET

ITEM	PART NUMBER	PART NAME	SPECIFICATION	QTY	REMARK
1	710050060007	Flat Steel	Q235-A 4X40 190	1	
2	712411990002	Oil Resisting Rubber	5 40X180	1	
3	302520000239	Support		1	
4	302030001413	Plate		1	
5	701510010001	Lock Washer	10-ZnD GB93	1	
6	701104010002	Tap Bolt	M10X16-8.8 GB5783	1	



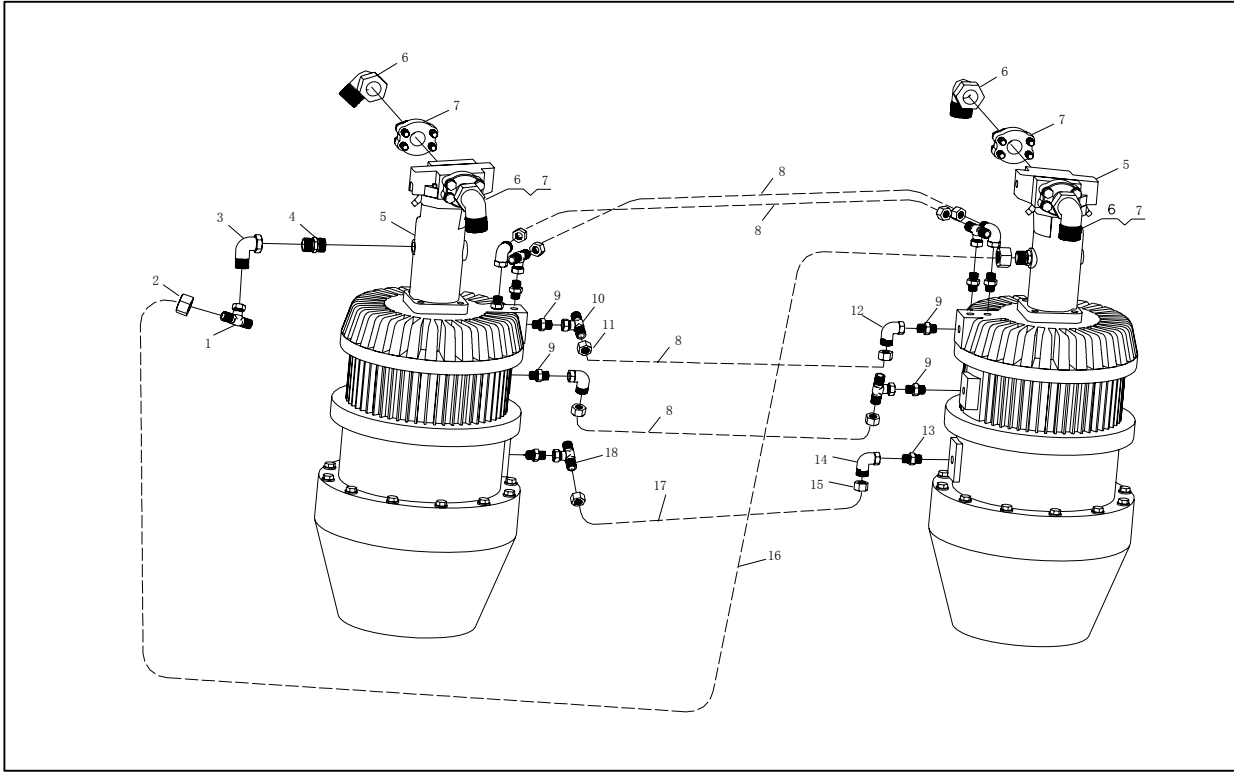
ROTARY HEAD HYDRAULIC SYSTEM

ITEM	PART NUMBER	PART NAME	SPECIFICATION	QTY	REMARK
1	710102020002	Seamless steel pipe	20 TP12X2	6m	
2	751103000004	Nut	FM12LA3C	10	
3	803696190100	Governor Valve Installation		1	
4	730502000578	Rubber Hose	481CACF121206-2000	2	
5	730501000260	Rubber Hose	731C9C9383820-2050	1	
6	803696190200	Motor Installation		1	
7	730501000240	Rubber Hose	481CACA181810-1020	1	
8	730501000258	Rubber Hose	731C9C9383820-1150	2	
9	710102020001	Seamless steel pipe	20 TP10X1.5	0.4m	
10	751103000002	Nut	FM10LA3C	2	
11	803696190300	Sequence Valve		1	
12	730502000580	Rubber Hose	481CACF151508-820	1	
13	730501000259	Rubber Hose	731C9C9383820-1900	1	



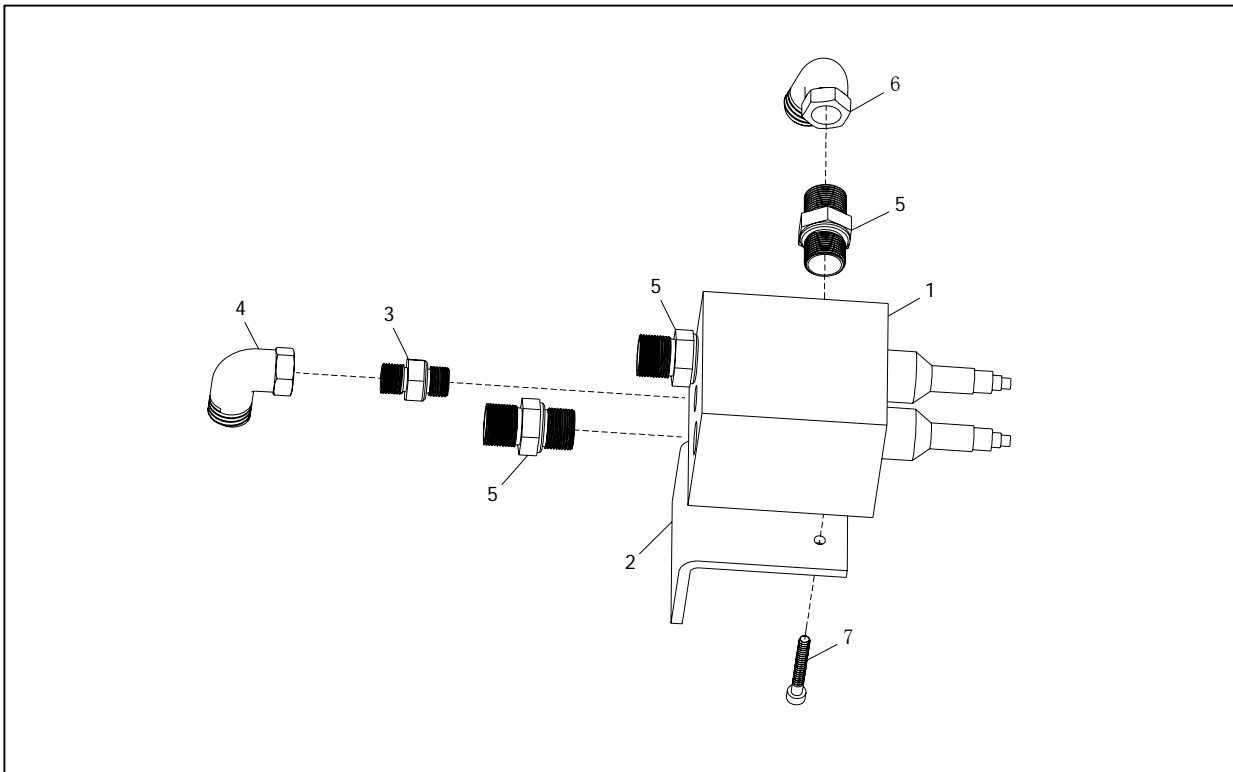
GOVERNOR VALVE INSTALLATION

ITEM	PART NUMBER	PART NAME	SPECIFICATION	QTY	REMARK
1	73039900020	Flow Control Valve	FPR101F100K03-8T	1	
2	302510000102	Governor Valve Bracket		1	
3	730101000137	Union	GE12L3/4UNFOMDA3C	2	
4	730101000028	Union	GE12L9/16UNFOMDA3C	1	
5	730102000008	Elbow	EW12LOMDA3C	1	w/nut
6	730101000010	Union	GE10LREDOMDA3C	1	w/nut
7	701302006010	Socket Head Cap Screw	M6X40-8.8 GB70	2	



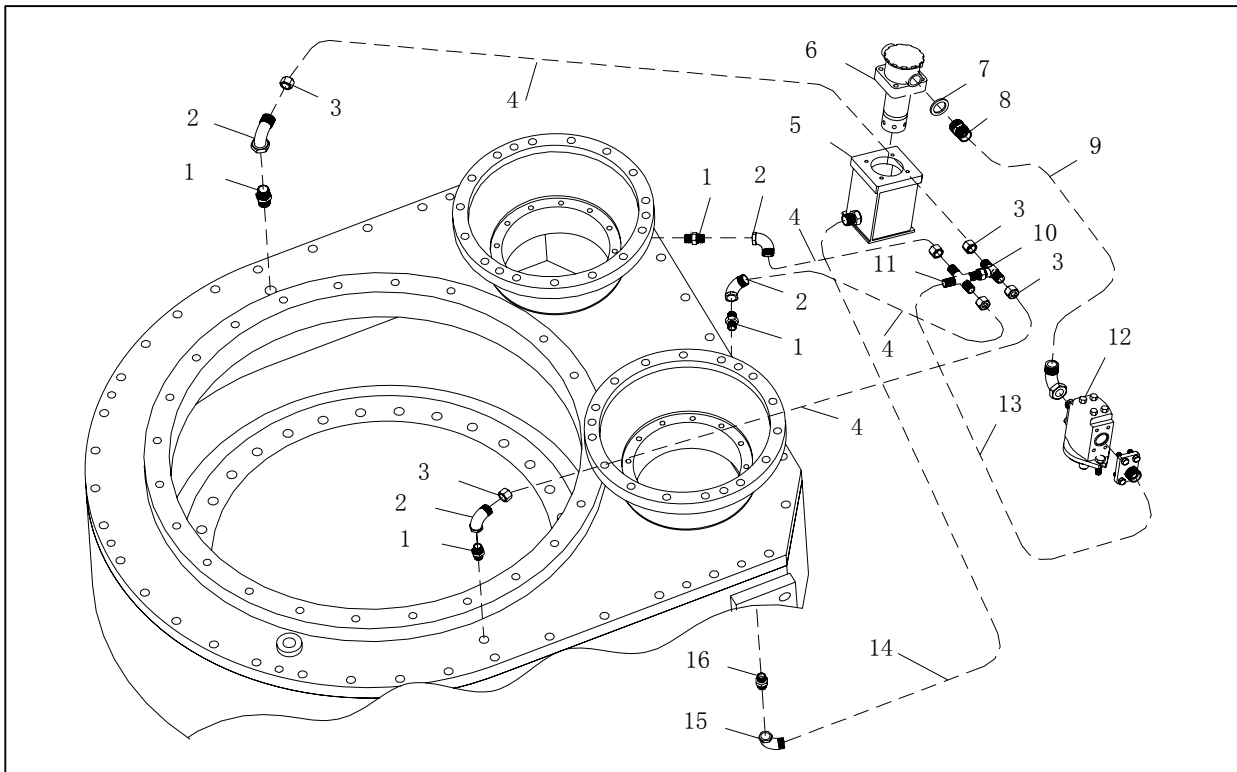
MOTOR INSTALLATION

ITEM	PART NUMBER	PART NAME	SPECIFICATION	QTY	REMARK
1	730104000033	Tee	T18LA3CX	1	
2	751103000008	Nut	FM18LA3C	2	
3	730102000020	Elbow	EW18LOMDA3C	1	
4	308010000024	Union	M26-M26	2	
5	730250000038	Motor	A6VM160HA2/63W-VAB 020A	2	
6	730102000025	Elbow	EW38SOMDA3C	4	
7	730101000199	Flange Connector Block	GFS65/38SOMDA3CA3C	4	
8	710102020002	Seamless Steel Pipe	20 TP12X2	4m	
9	730101000155	Union	GE12LMEDOMDA3C	8	
10	730104000019	Tee	ET12LOMDA3C	4	
11	751103000004	Nut	FM12LA3C	8	
12	730102000008	Elbow	EW12LOMDA3C	4	
13	730101000143	Union	GE15LM16X1.5EDA3C	2	
14	730102000013	Elbow	EW15LOMDA3C	1	
15	751103000005	Nut	FM15LA3C	2	
16	710102020005	Seamless Steel Pipe	20 TP18X2	1.2m	
17	710102020099	Seamless Steel Pipe	20 TP15X1.5	0.8m	
18	730104000029	Tee	ET15LOMDA3C	1	



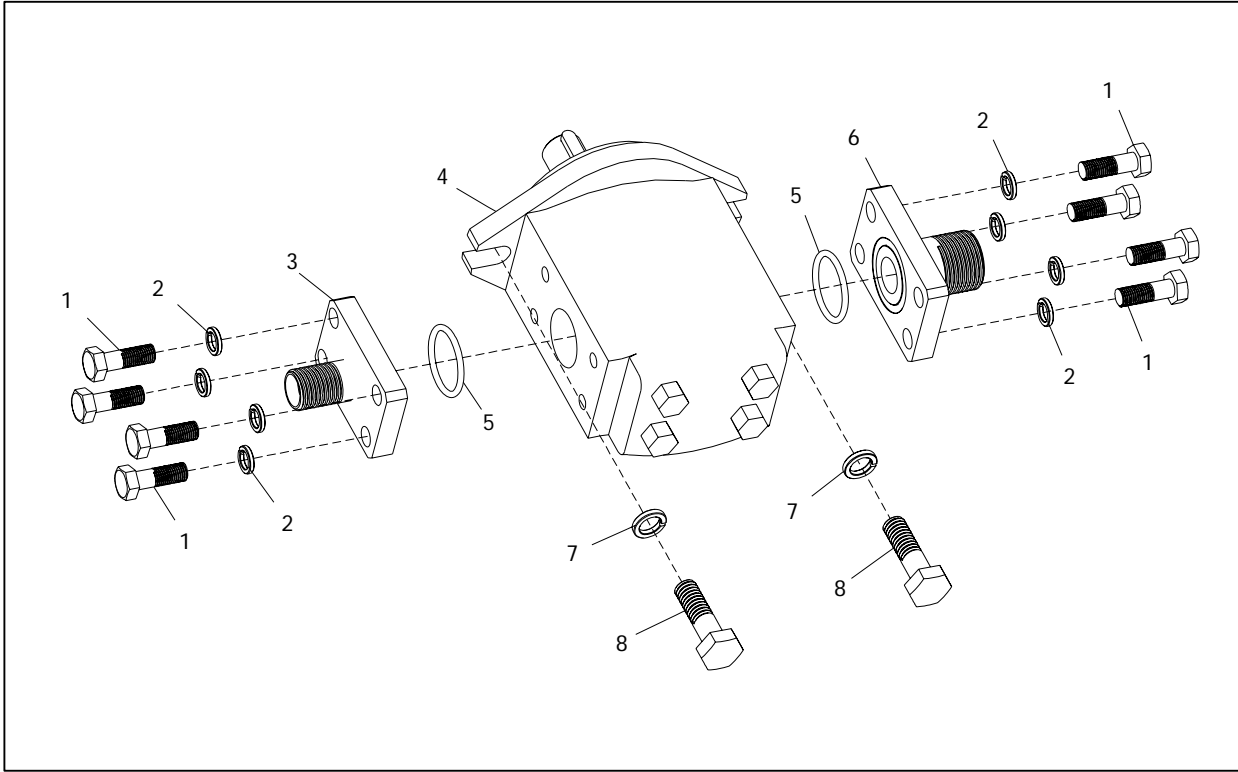
SEQUENCE VALVE INSTALLATION

ITEM	PART NUMBER	PART NAME	SPECIFICATION	QTY	REMARK
1	730399000018	Sequence Valve	BR02	1	
2	302040000066	L Shape Plate		1	
3	730101000010	Union	GE10LREDOMDA3C	1	
4	730102000015	Elbow	EW10LOMDA3C	1	
5	730101000116	Union	GE12LR1/4EDOMDA3C	3	
6	730102000008	Elbow	EW12LOMDA3C	1	
7	701302006005	Socket Head Cap Screw	M6X20-8.8 GB70	2	



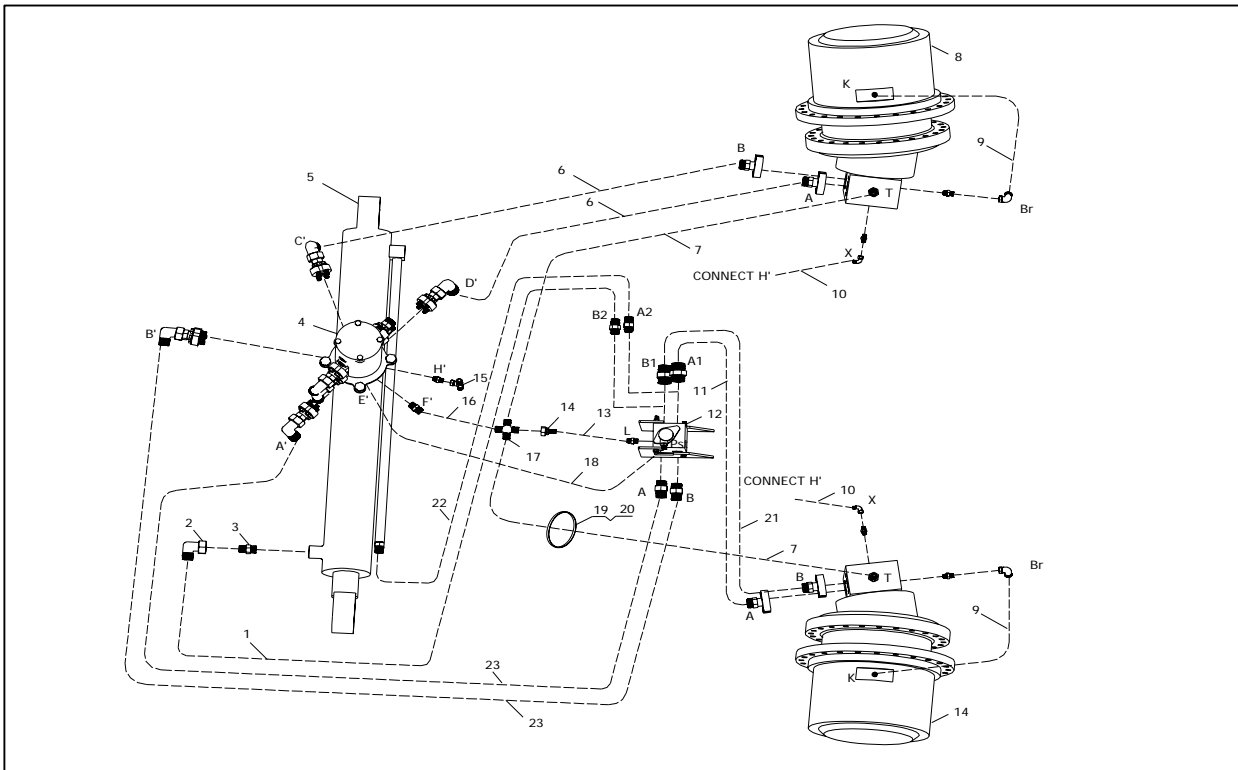
ROTARY LUBRICATION SYSTEM

ITEM	PART NUMBER	PART NAME	SPECIFICATION	QTY	REMARK
1	730101000155	Union	GE12LMEDOMDA3C	4	
2	730102000008	Elbow	EW12LOMDA3C	4	
3	751103000004	Nut	FM12LA3C	6	
4	710102020002	Seamless Steel Pipe	20 TP12X2	3m	
5	803696100100	Filter Cover		1	
6	730401000079	Filter	LXZ-40X80LY	1	
7	703202027001	Lock Washer	27 JB982	1	
8	308010000023	Union	M27/M26	1	
9	730502000822	Rubber Hose	481CACF181810-400	1	
10	730104000019	Tee	ET12LOMDA3C	1	
11	730105000028	Four-Way Union	K12LA3CX	1	
12	803696200100	Gear Pump Installation		1	
13	730501000235	Rubber Hose	481ACA121206-1700	1	
14	730502000821	Rubber Hose	481CACF181810-450	1	
15	730102000020	Elbow	EW18LOMDA3C	2	
16	730101000016	Union	GE18LMEDOMDA3C	1	



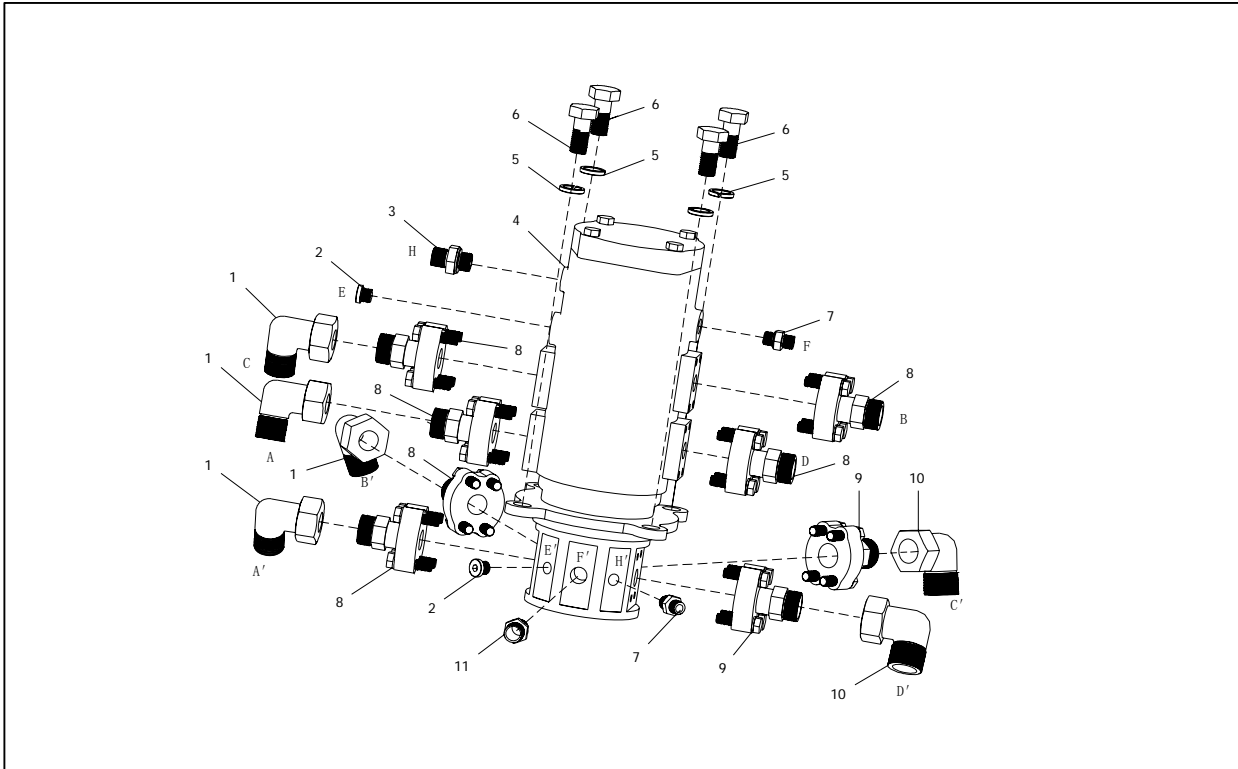
GEAR PUMP INSTALLATION

ITEM	PART NUMBER	PART NAME	SPECIFICATION	QTY	REMARK
1	701104008006	Hexagon Cap Screw	M8X25-8.8-ZnD GB5783	8	
2	701510008001	Lock Washer	8-ZnD GB93	8	
3	308010000011	Flange Connector	M18	1	
4	730202000015	Gear Pump	CBTD-F420-AFPL	1	
5	703201028001	O-Ring	28X2.65 GB3452.1	2	
6	308010000012	Flange Connector	M26	1	
7	701510010001	Lock Washer	10-ZnD GB93	2	
8	701103010004	Hexagon Cap Screw	M10X35-8.8-ZnD GB5782	2	



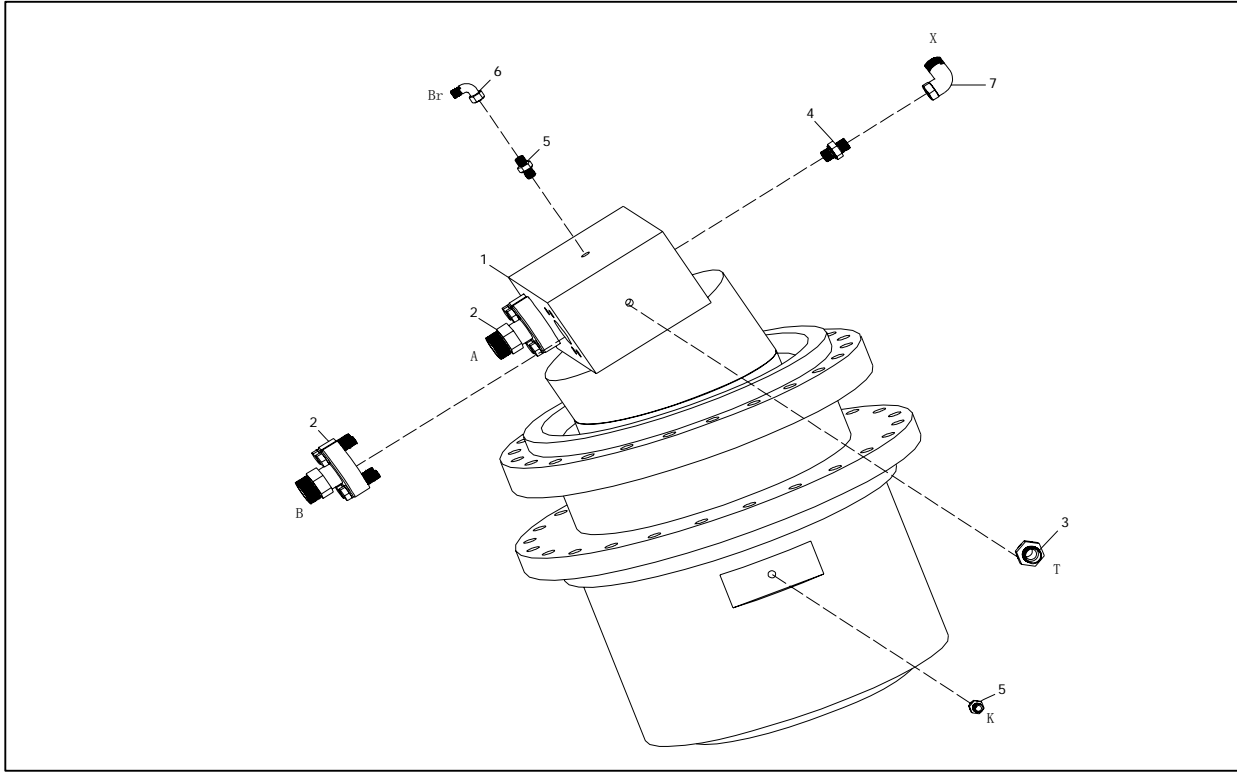
UNDERCARRIAGE HYDRAULIC SYSTEM

ITEM	PART NUMBER	PART NAME	SPECIFICATION	QTY	REMARK
1	730502000605	Rubber Hose	7011CC9202010-1450	1	
2	730102000012	Elbow	EW20SOMDA3C	2	
3	730101000041	Union	GE20SMEDOMDA3C	2	
4	803696210100	Central Rotating Joint Installation		1	
5	730001000122	Crawler Hydraulic Cylinder	D140/d100-1110X1770	1	
6	730502000622	Rubber Hose	7310CC9303016-3300	2	
7	730502000595	Rubber Hose	481CACF222212-3100	2	
8	803696210200	Traveling Motor Installation		2	
9	730502000544	Rubber Hose	381CFCA080804-700	2	
10	730501000230	Rubber Hose	481CACA101005-3500	2	
11	730502000823	Rubber Hose	7310CC9303016-2600	1	
12	803696210300	Hydraulic Directional Valve Installation		1	
13	730502000553	Rubber Hose	481CACF101005-650	1	
14	730101000122	Union	RED22/10LOMDA3C	1	
15	730104000018	Tee	ET10LOMDA3C	1	
16	730502000590	Rubber Hose	481CACF222212-700	1	
17	730105000020	Four-way Union	K22LOMDA3C	1	
18	730502000555	Rubber Hose	481CACF101005-720	1	
19	729901000006	Tie Wrap	CHS 8X350	6	
20	712411990015	Oil Resisting Rubber	10 300X400	0.2m ²	
21	730502000621	Rubber Hose	7310CC9303016-2650	1	
22	730502000603	Rubber Hose	7011CC9202010-1300	1	
23	730501000256	Rubber Hose	731C9C9303016-550	2	



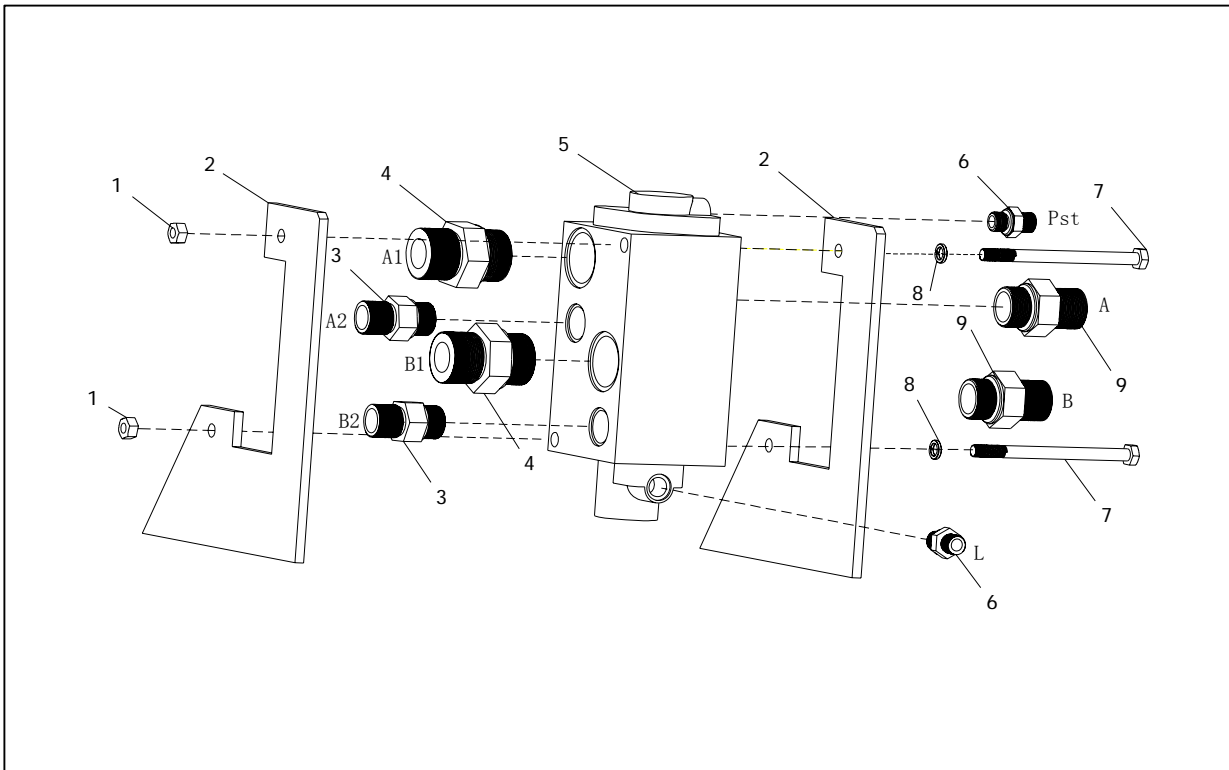
CENTRAL ROTATING JOINT INSTALLATION

ITEM	PART NUMBER	PART NAME	SPECIFICATION	QTY	REMARK
1	73010200023	Elbow	EW25SOMDA4C	4	
2	73980600025	Plug	VSTI16X1.5EDA3C	2	
3	730101000100	Union	GE22LM22X1.5EDOMDA3C	1	
4	739802000014	Central Rotating Joint	8ZWII20GF	1	
5	701510020001	Lock Washer	20 GB93	4	
6	701103020010	Hexagon Cap Screw	M20X45-8.8 GB5782	4	
7	730101000076	Union	GE10LM16x1.5EDOMDA3C	2	
8	730101000120	Flange Connector Block	GFS64/25SOMDA3C	6	
9	730101000124	Flange Connector Block	GFS64/30SOMDA3C	2	
10	730102000024	Elbow	EW30SOMDA3C	2	
11	730101000016	Union	GE18LMEDOMDA3C	1	



TRAVELING MOTOR INSTALLATION

ITEM	PART NUMBER	PART NAME	SPECIFICATION	QTY	REMARK
1	750301000010	Speed Reducer Assembly	GFT80T3B127-01+*	1	
2	730101000148	Flange Connector Block	GFS65/30SOMDA3C	2	
3	730101000033	Union	GE22LMEDOMDA3C	1	
4	730101000005	Union	GE10LMEDOMDA3C	1	
5	730102000015	Union	EW10LOMDA3C	1	
6	730101000055	Elbow	GE08LMEDOMDA3C	1	
7	730102000010	Elbow	EW08LOMDA3C	1	



HYDRAULIC DIRECTIONAL VALVE

ITEM	PART NUMBER	PART NAME	SPECIFICATION	QTY	REMARK
1	701406010001	Nut	M10-ZnD GB6170	2	
2	302490000214	Plate		2	
3	730101000145	Union	GE20SR1EDA3C	2	
4	730101000163	Union	GE30SR1EDOMDA3C	2	
5	730305000014	Hydraulic Directional Valve		1	
6	730101000010	Union	GE10LREDDOMDA3C	2	
7	701302010024	Hexagon Cap Screw	M10X140-8.8 GB70	2	
8	701510010001	Lock Washer	10-ZnD GB93	2	
9	730101000159	Union	GE25SREDDOMDA3C	2	