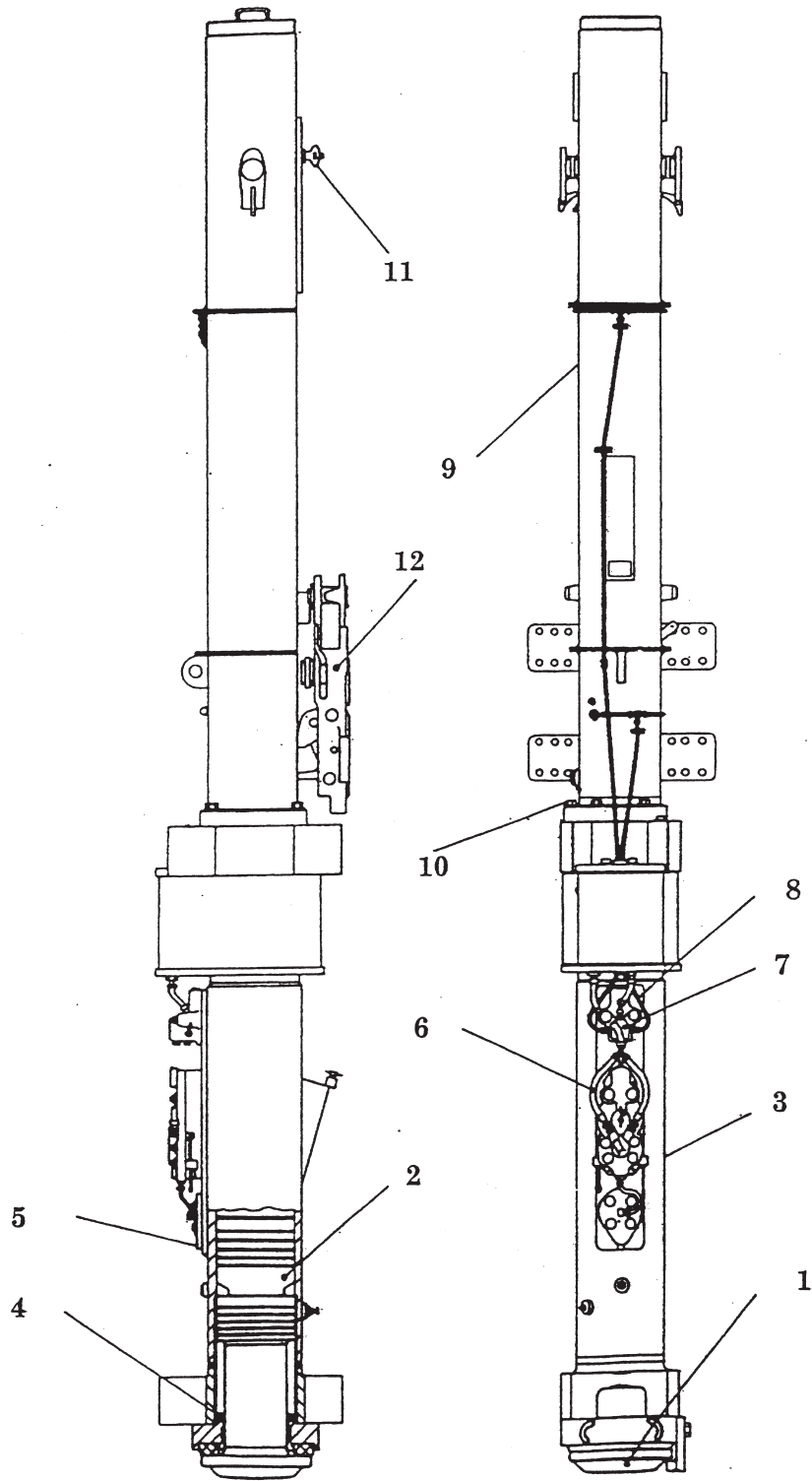


# MODEL D8-42 DIESEL PILE HAMMER

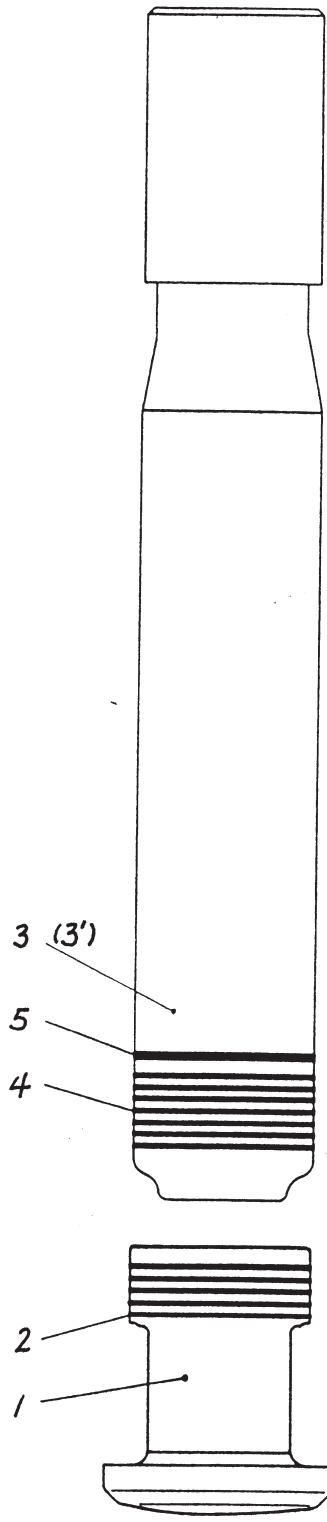


## SPARE PARTS BOOK

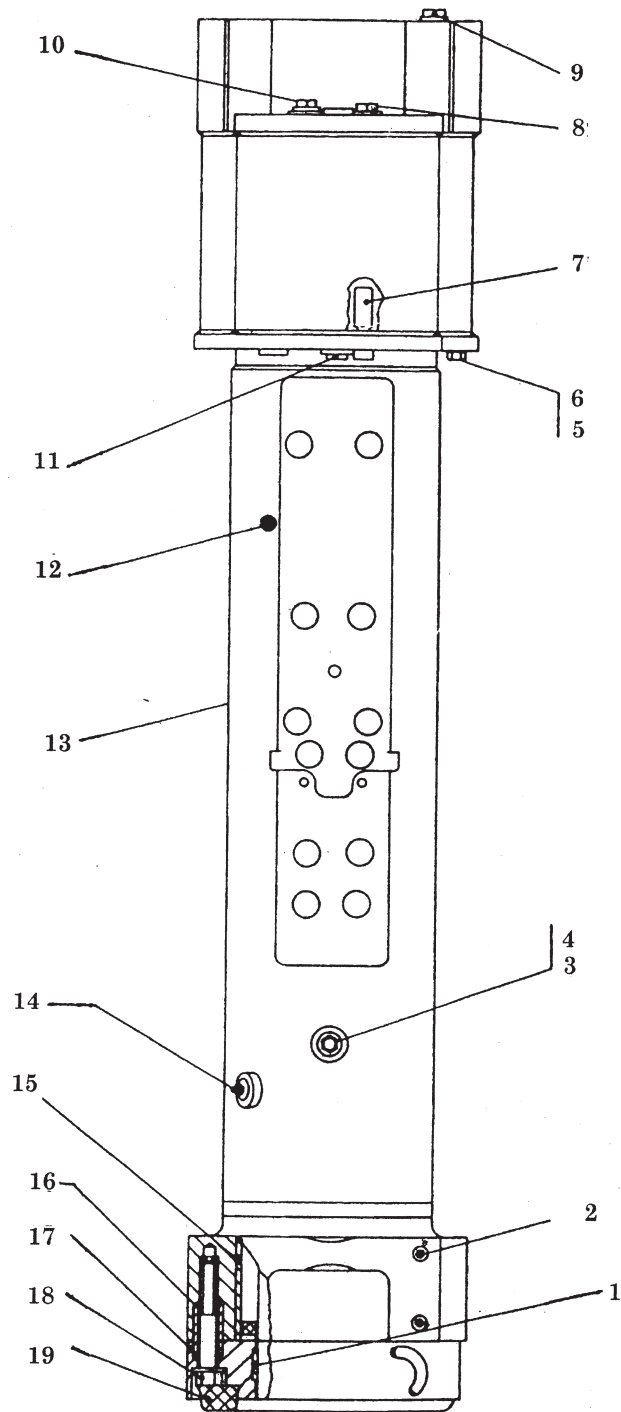
Corporate Office  
7032 S. 196th Street  
Kent, WA, USA 98032  
Tel: 1-800-248-8498  
Tel: 1-253-872-0141  
Fax: 1-253-872-8710



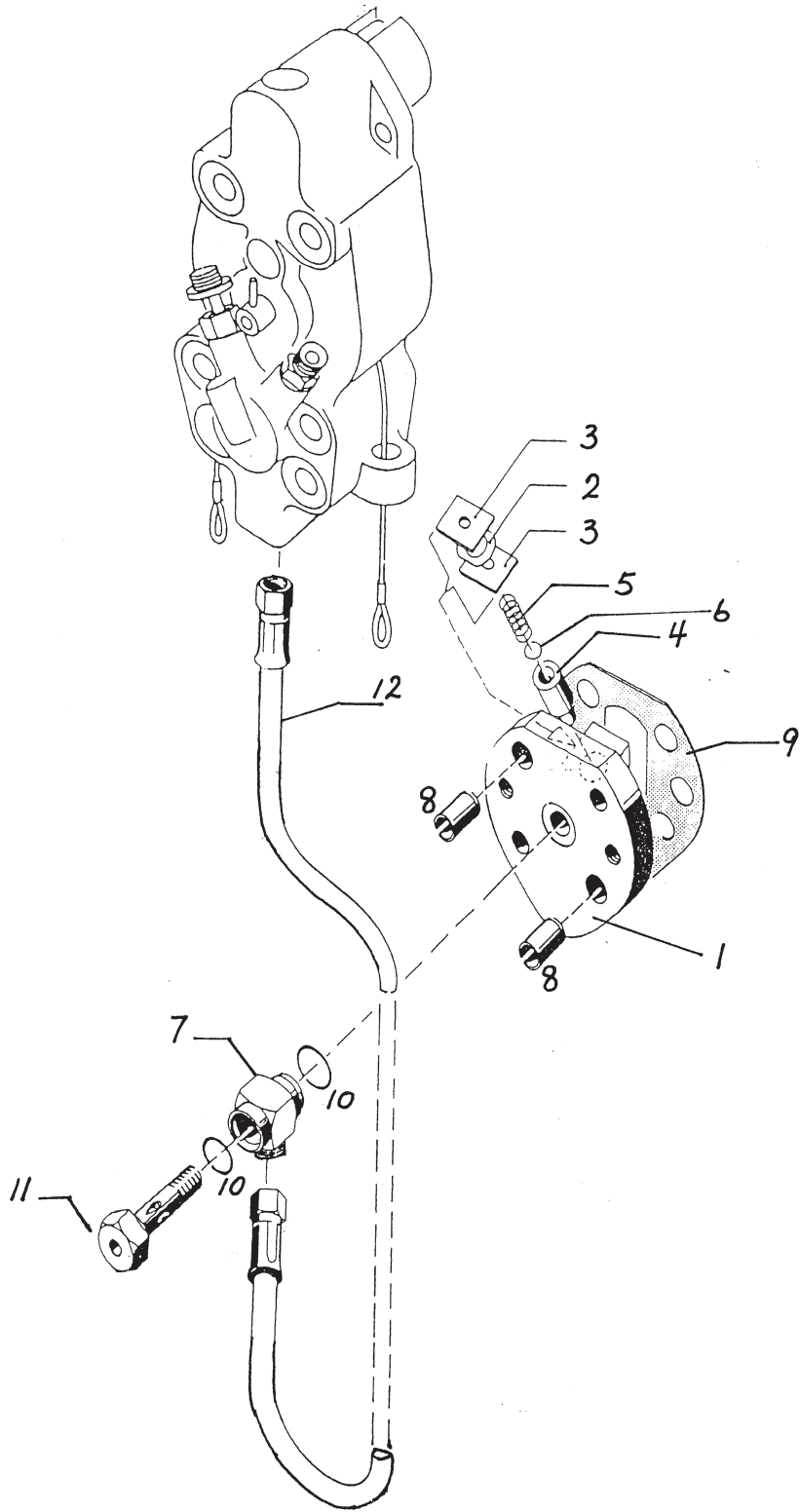
No.	Part No	Description	Qty	Ref. No.	
	130.00	Diesel Pile Hammer D8-22	1	66985	
1	130.08.00	Impact Block Cpl.	1	65590	
2	130.09.00	Striking Weight (Piston) Cpl.	1	65591	
3	130.01.00	Cylinder Lower Part Cpl.	1	66967	
4	130.00-1	Inner Damping Ring.	1	63478	
5	130.02.00	Variable-Delivery Fuel Pump Cpl.	1	100570	
6	130.11.00	Fuel Line/Breather Line Cpl.	1	66977	
7	135.07.00	Lube Pump Cpl.	1	108308	
8	130.12.00	Lube Line With Connecting Parts Cpl.	1	66978	
9	130.03.00	Cylinder Upper Part Cpl.	1	100580	
10	130.06.00	Set Connecting Parts Cpl.	1	44004	
11	130.10.00	Transport Protection Kit Cpl.	1	64868	
12	131.05.00	Trip Gear Cpl.	1	104694	-
	130 .16.00	Tool Box Cpl.	1		



No.	Part No.	Description	Qty	Ref. No.
	130.08.00	Impact Block Cpl.	1	65590
1	130.08.00-1	Impact Block (Anvil)	1	63864
2	130.08.00-2	Piston Ring,	5	63469
	130.09.00	Striking Weight (Piston) Cpl	1	65591
3	130.09.00-1	Striking Weight (Piston)	1	63846
4	130.08.00-2	Piston Ring	5	63469
5	130.09.00-2	Catch Piston Ring	1	63470

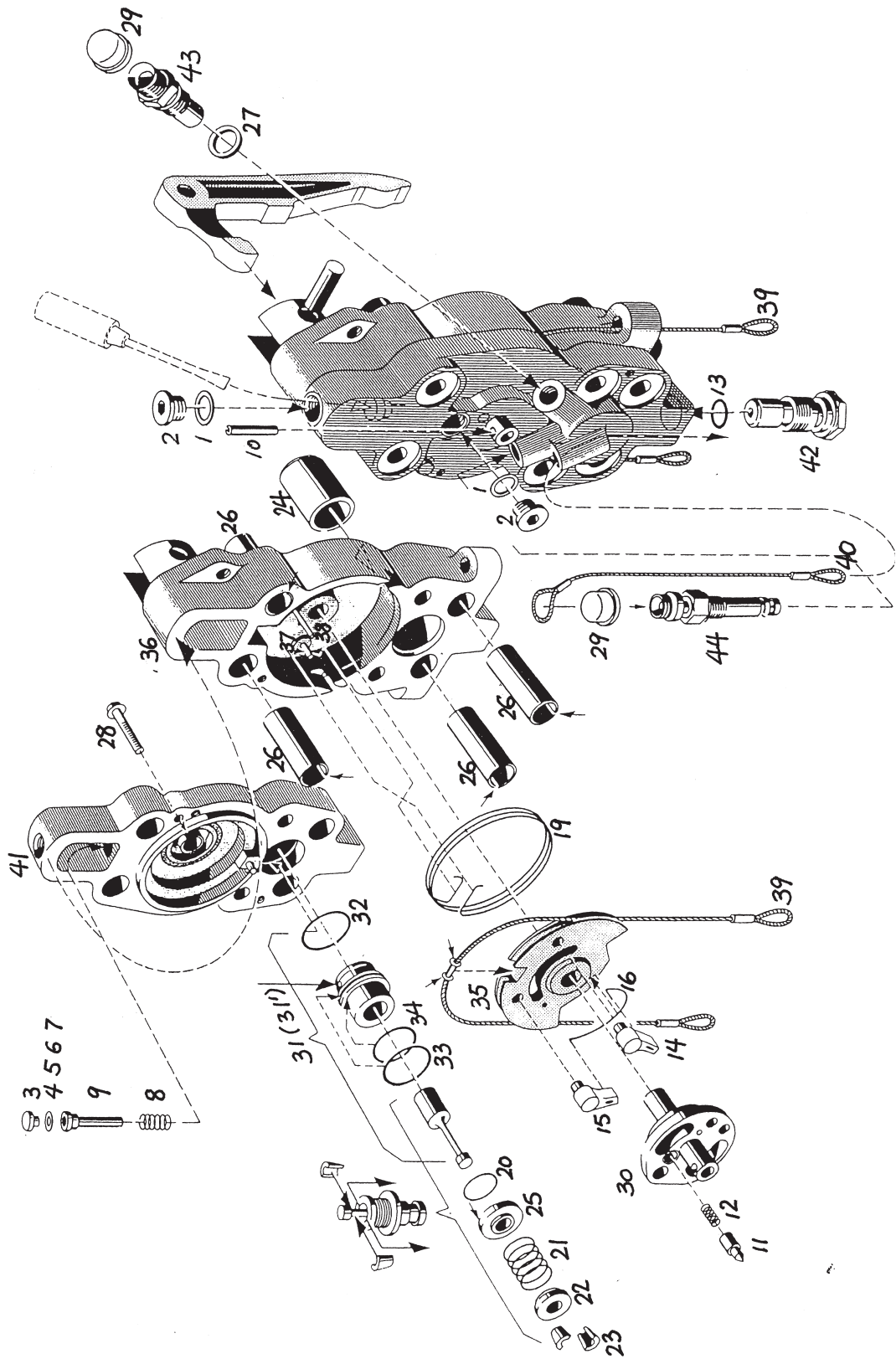


<b>No.</b>	<b>Part No.</b>	<b>Description</b>	<b>Qty</b>	<b>Ref. No.</b>
	130.01.00	Cylinder Lower Part Cpl.	1	66967
1	130.01.02-1	Ring 2 Piece	1	63477
2	135.01.01-3	Threaded Insert M24	16	95582
3	Jb1000-77	Plug Screw M18×1.5	1	91460
4	135.01.00-2	Sealing Ring A18×22	1	90002
5	Jb1001-77	Plug Screw M36×1.5	1	93604
6	130.01.00-2	Sealing Ring A36×42	1	93609
7	135.03.02	Filter Elbow	2	64403
8	135.03.04	Plug Screw “Oil”	1	17188
9	135.03.05	Plug Screw “Diesel”	1	17186
10	135.03.03	Plug Screw “Ether”	1	20651
11	135.03.00-2	Protecting Plug	1	96890
12	135.01.00-4	Plug Screw R3/8”	1	93235
13	130.01.01	Lower Cylinder	1	66968
14	135.01.02.02A	Grease Nipple M10×1	18	90791
15	130.01.01-1	Cylinder Sleeve (On Request)	1	63467
16	135.06.00-4	Dowel Pin 40×75	6	95195
17	130.01.02.01	Cylinder End Ring 2 Piece Cpl.	1	64417
18	135.06.00-2	Reduced Srew M24	6	20174
19	130.01.00-1	Rubber Ring 2 Piece	1	63471

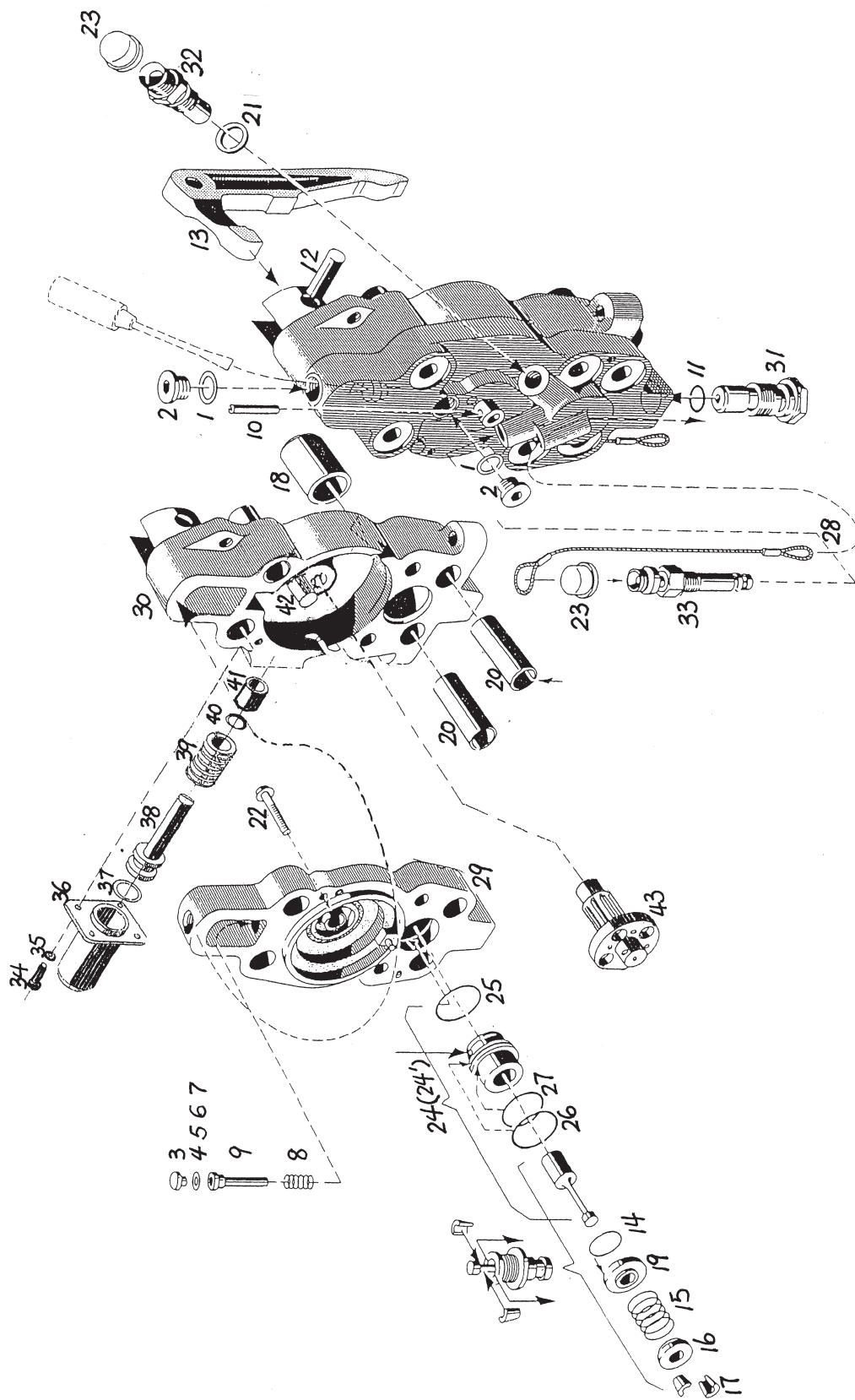




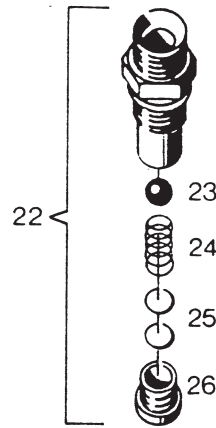
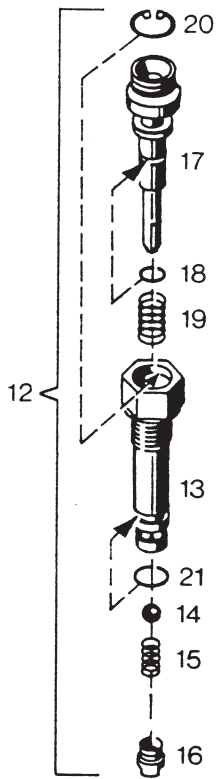
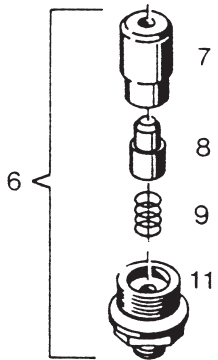
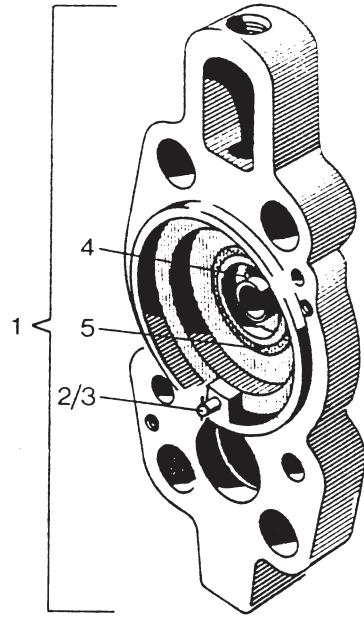
<b>No.</b>	<b>Part No.</b>	<b>Description</b>	<b>Qty</b>	<b>Ref No.</b>
1	136.02.02	Injection Valve Cpl.	1	104675
2	135.02.07-2	Spring Washer	1	64461
3	135.02.07-3	Locking Plate	2	64460
4	135.02.07-4	Valve Piston	1	63843
5	135.02.07-5	Pressure Spring	1	97569
6	135.02.07-7	Adjusting Washer	1	97573
7	135.02.00-26	Threaded Pipe Joint	1	97308
8	135.02.00-27	Dowel Pin 21×28	2	95633
9	135.02.00-28	Sealing	1	45647
10	135.02.00-32	Round Sealing Ring 17×1.5	2	97258
11	135.02.00-33	Hollow Screw	1	97308
12	135.02.08	High Pressure Hose	1	191205



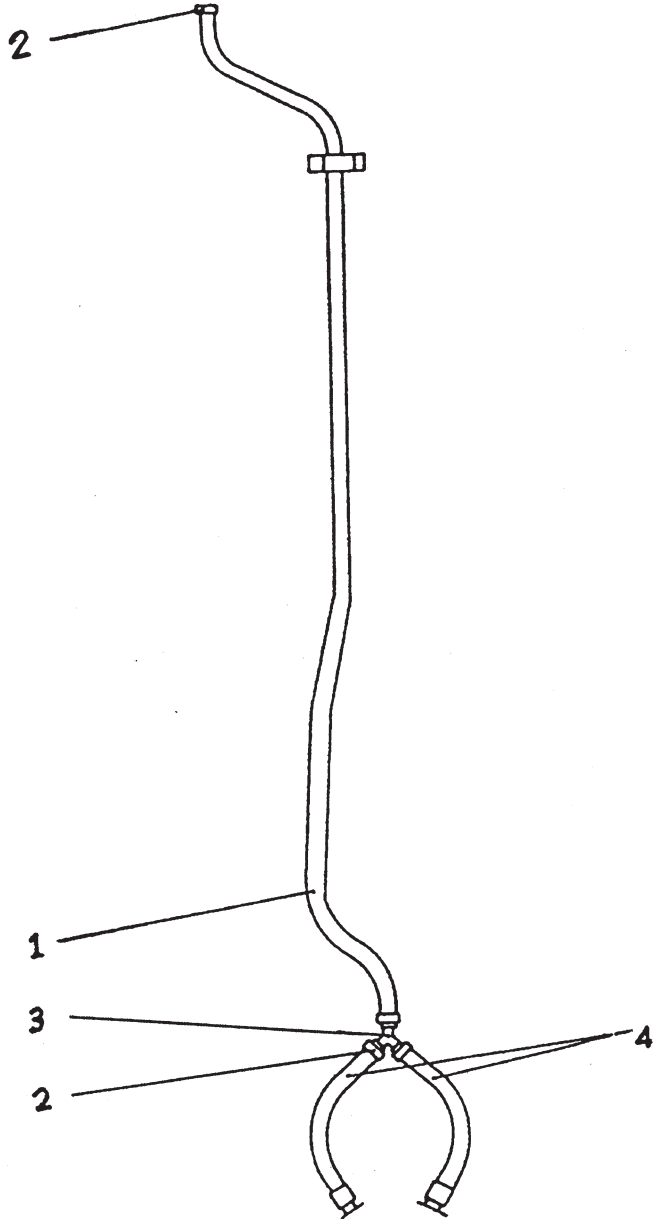
No.	Part No.	Description	Qty	Ref. No.
	130.02.00	Variable-Delivery Fuel Pump, D8-22	1	100570
1	135.02.00-1	Sealing Ring A18×22	2	90002
2	Jb1001-77	Plug Screw M18×1.5	2	93055
3	135.02.00-3	Push Cap	1	62124
4	135.02.00-4	Adjusting Washer 8.2×19.8×0.3	1	97332
5	135.02.00-5	Adjusting Washer 8.2×19.8×0.5	1	97333
6	135.02.00-6	Adjusting Washer 8.2×19.8×0.6	1	97334
7	135.02.00-7	Adjusting Washer 8.2×19.8×0.4	1	97348
8	135.02.00-8	Pressure Spring 14.5×34 ×1	1	22046
9	135.02.00-9	Push Rod	1	62126
10	Gb879-76	Dowel Pin 6×40	1	90150
11	135.02.00-10	Screen Pin	1	22049
12	135.02.00-11	Pressure Spring 5.5×20×1.2	1	22044
13	135.02.00-12	Round Sealing Ring 22×3	1	91296
14	135.02.00-13	Cam	1	22052
15	135.02.00-14	Cam	1	22051
16	135.02.00-15	Spring	1	22245
17	135.02.00-16	Pin	1	22043
18	135.02.00-17	Pump Lever	1	41869
19	135.02.00-18	Swivel Spring	1	22062
20	135.02.00-19	Round Sealing Ring 35×2.5	1	92996
21	135.02.00-20	Pressure Spring	1	22060
22	135.02.00-21	Spring Retaining Collar	1	22058
23	135.02.00-22	Conical Ring 2 Piece	1	22059
24	135.02.00-23	Guide Sleeve	1	43287
25	135.02.00-24	Holder Ring	1	43994
26	135.02.00-25	Dowel Pin 28×80	4	94315
27	135.02.00-29	Sealing Ring A20×24	1	92031
28	Gb5782-86	Locking Screw M8×50	1	93456
29	135.02.00-31	Protecting Cap	2	93236
30	135.02.01	Switch Shaft	1	43308
31	130.02.03	Pump Element Cpl., For D8-22	1	22903
32	135.02.03-1	Round Sealing Ring 42×3	1	95933
33	135.02.03-2	Round Sealing Ring 47×2.5	1	96080
34	135.02.03-3	Round Sealing Ring 40×2.5	1	91339
35	135.02.04	Rope Disc Cpl.	1	22040
36	135.02.05	Pump Boby Cpl.	1	43289
37	Gb879-76	Dowel Pin 6×28	1	90137
38	Gb879-76	Dowel Pin 5×40	1	90155
39	135.02.11	Regulation Rope	1	17546
40	135.02.11A	Regulation Rope for Stop Valve	1	
41	135.02.02	Pump Cover Cpl.	1	43291
42	132.02.06	Check-Non-Return Valve Cpl.	1	43296
43	135.02.09	Suction Valve Cpl.	1	41863
44	135.02.10	Stop Valve Cpl	1	41868



No.	Part No.	Description	Qty	Ref. No.
	130.02.00V	Hydraulic Variable-Delivery Fuel Pump, D8-22	1	
1	135.02.00-1	Sealing Ring A18×22	2	90002
2	JB1001-77	Plug Screw M18×1.5	2	93055
3	135.02.00-3	Push Cap	1	62124
4	135.02.00-4	Adjusting Washer 8.2×19.8×0.3	1	97332
5	135.02.00-5	Adjusting Washer 8.2×19.8×0.5	1	97333
6	135.02.00-6	Adjusting Washer 8.2×19.8×0.6	1	97334
7	135.02.00-7	Adjusting Washer 8.2×19.8×0.4	1	97348
8	135.02.00-8	Pressure Spring 14.5×34 ×1	1	22046
9	135.02.00-9	Push Rod	1	62126
10	GB879-76	Dowel Pin 6×40	1	90150
11	135.02.00-12	Round Sealing Ring 22×3	1	91296
12	135.02.00-16	Pin	1	22043
13	135.02.00-17	Pump Lever	1	41869
14	135.02.00-19	Round Sealing Ring 35×2.5	1	92996
15	135.02.00-20	Pressure Spring	1	22060
16	135.02.00-21	Spring Retaining Collar	1	22058
17	135.02.00-22	Conical Ring 2 Piece	1	22059
18	135.02.00-23	Guide Sleeve	1	43287
19	135.02.00-24	Holder Ring	1	43994
20	135.02.00-25	Dowel Pin 28×80	4	94315
21	135.02.00-29	Sealing Ring A20×24	1	92031
22	GB5782-86	Locking Screw M8×50	1	93456
23	135.02.00-31	Protecting Cap	2	93236
24	130.02.03	Pump Element Cpl., For D8-22	1	22903
25	135.02.03-1	Round Sealing Ring 42×3	1	95933
26	135.02.03-2	Round Sealing Ring 47×2.5	1	96080
27	125.02.03-3	Round Sealing Ring 40×2.5	1	91339
28	135.02.11A	Regulation Rope For Stop Valve	1	
29	135.02.02	Pump Cover Cpl.	1	43291
30	135.02.05V	Pump Body For Hydraulic Fuel Pump		
31	132.02.06	Check-Non-Return Valve Cpl.	1	43296
32	135.02.09	Suction Valve Cpl.	1	41863
33	135.02.10	Stop Valve Cpl	1	41868
	135.02.12	Hydraulic Variable Fuel Pump Kit	1	
34	135.02.12-1	Screw M8×20, Gb70-85	4	
35	135.02.12-2	Spring Washer, Gb93-87	4	
36	135.02.12-3	Pump Cylinder	1	
37	135.02.12-4	Round Sealing Ring 32×2.5	1	
38	135.02.12-5	Piston Rack	1	
39	135.02.12-6	Spring	1	
40	135.02.12-7	Round Sealing Ring 20×2.5	1	
41	135.02.12-8	Guide Sleeve	1	
42	135.02.12-9	Screen Pin	1	
43	135.02.12-10	Switch Shaft For Hydraulic Fuel Pump	1	

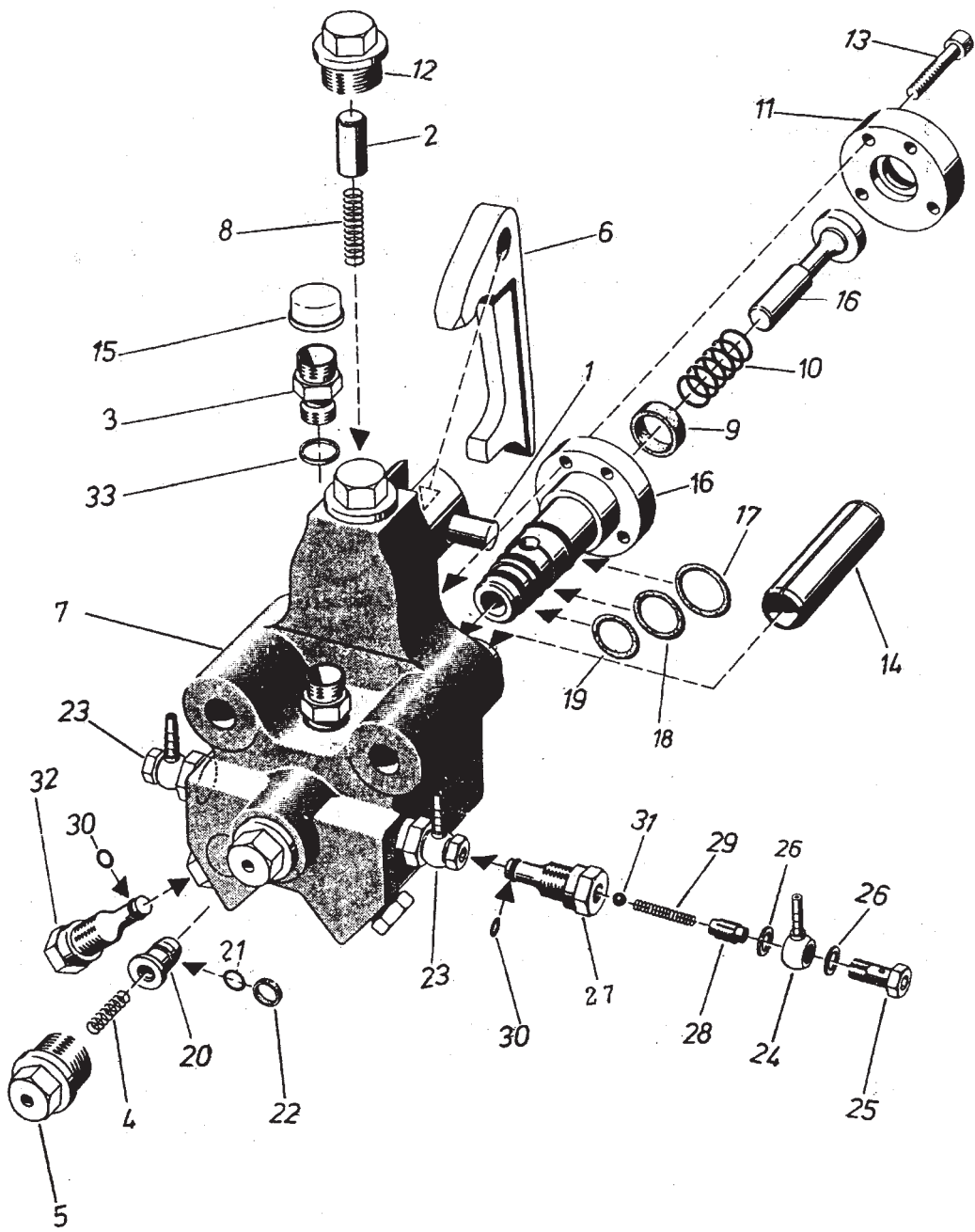


<b>No.</b>	<b>Part No.</b>	<b>Description</b>	<b>Qty</b>	<b>Ref. No.</b>
1	135.02.02	Pump Cover Cpl.	1	43291
2	135.02.02-2	Ring	1	22050
3	135.02.02-3	Stop Pin	1	43307
4	135.02.02.01	Stop	1	22796
5	GB879-76	Dowel Pin 10×32	1	90231
6	132.02.06	Check-Non-Return Valve Cpl.	1	43296
7	135.02.06-1	Housing	1	43297
8	135.02.06-2	Valve Piston	1	43299
9	135.02.06-3	Pressure Spring	1	22034
10	132.02.06-4	Screw	1	43298
12	135.02.10	Stop Valve Cpl.	1	41868
13	135.02.10-1	Valve	1	43138
14	135.02.10-2	Pressure Spring	1	43279
15	135.02.10-3	Round Sealing Ring 12×3	1	94316
16	135.02.10-4	Threaded Plug	1	22021
17	135.02.10-5	Pressure Spring	1	98929
18	135.02.10-6	Round Sealing Ring 8×3	1	91894
19	135.02.10-7	Valve Screw	1	43130
20	GB893-76	Circlip 20×1	1	95786
21	GB308-64	Ball, F8.731	1	98511
22	135.02.09	Suction Valve Cpl.	1	41863
23	135.02.09-1	Sleeve	1	41861
24	135.02.09-2	Pressure Spring 7.3×8×0.7	1	22022
25	135.02.09-3	Washer	1	95294
26	135.02.09-4	Threaded Plug	1	41862
27	135.02.09-5	Washer	1	22023
28	135.02.09-6	Adjusting Washer	1	191300

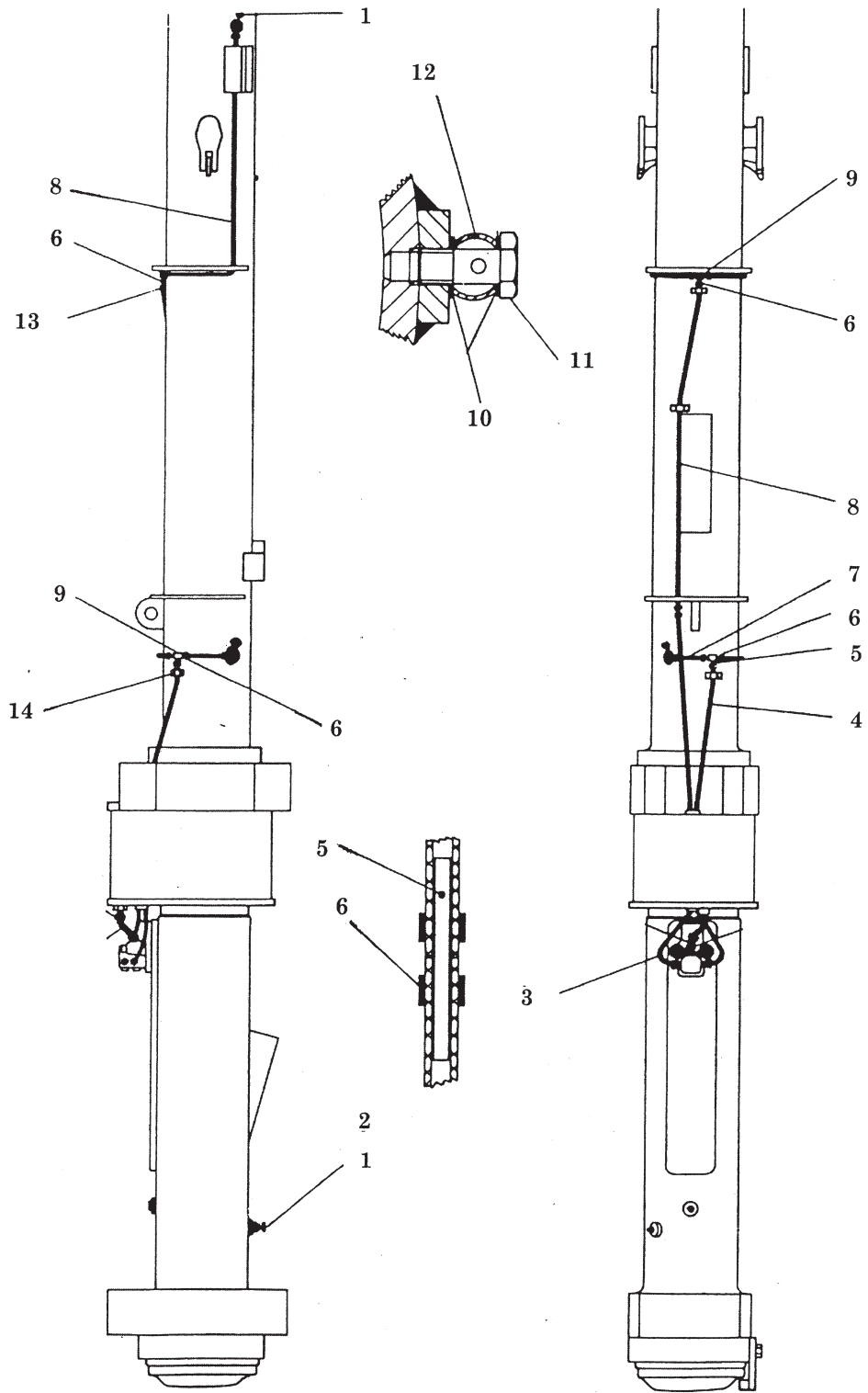




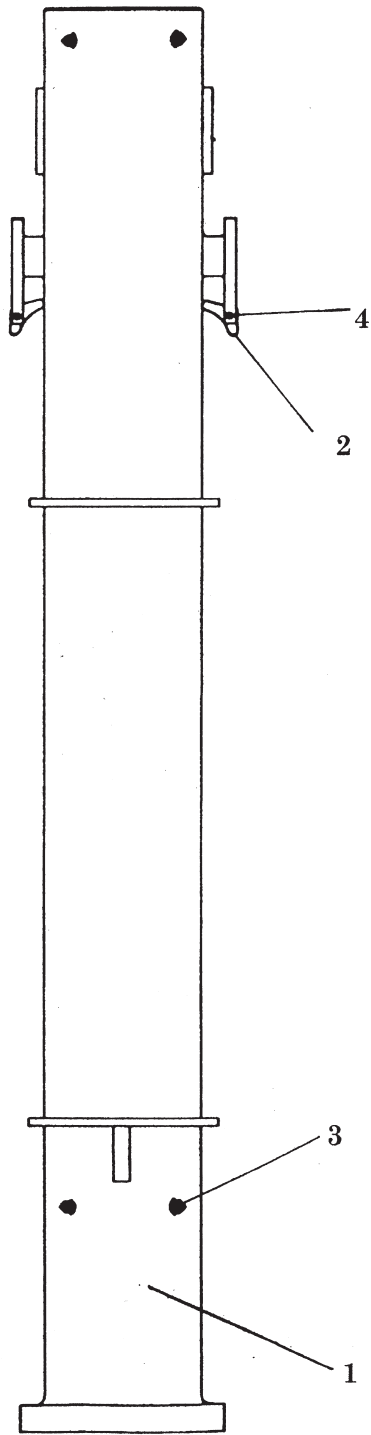
<b>No.</b>	<b>Part No.</b>	<b>Description</b>	<b>Qty</b>	<b>Ref. No.</b>
	130.11.00	Fuel Line/Breather Line Cpl.	1	66977
1	130.11.00-1	Hose	1	100569
2	No. 0	Hose Clip	2	94299
3	135.11.01	Hose Piece	1	99019
4	135.11.00-2	Hose, 0.275 M Long	2	96504



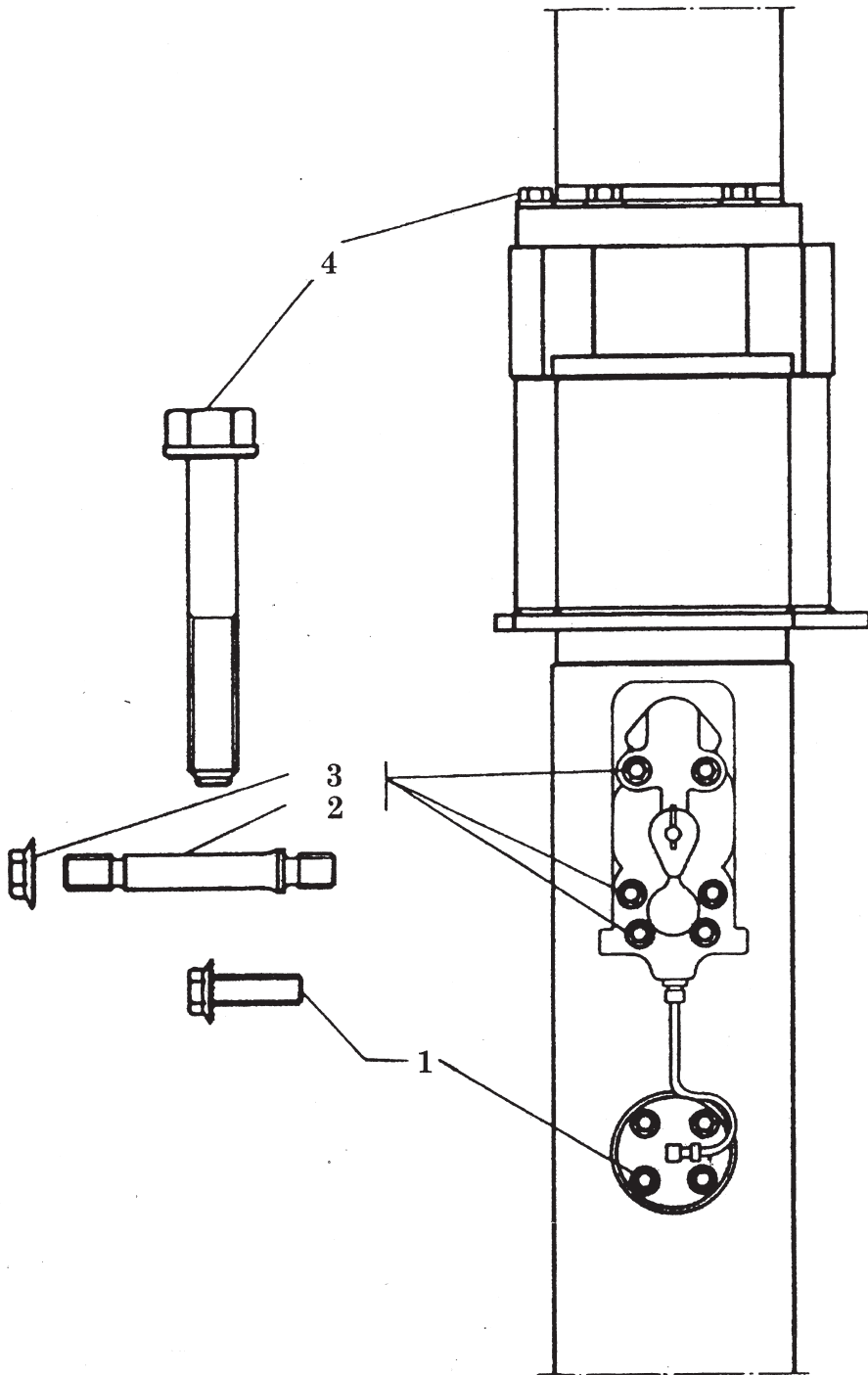
No.	Part No.	Description	Qty	Ref. No.
	135.07.00	Lube Pump Cpl	1	108308
1	135.07.00-1	Pin	1	22082
2	135.07.00-2	Sleeve	1	22090
3	135.07.00-3	Adaptor (Tube To Thread)	1	67290
4	135.07.00-4	Pressure Spring	1	190479
5	135.07.00-5	Plug Screw	1	108307
6	135.07.00-6	Pump Lever	1	22081
7	135.07.00-7	Pump Body	1	108315
8	135.07.00-8	Pressure Spring	1	22089
9	135.07.00-9	Ring	1	67283
10	135.07.00-10	Pressure Spring	1	97325
11	135.07.00-11	Washer	1	67282
12	135.07.00-12	Plug Screw R1"	1	91976
13	GB70-76	Screw M8×35	4	90937
14	135.02.00-25	Dowel Pin 28×80	2	94315
15	135.02.00-31	Protecting Cap	1	93236
16	135.07.01	Cylinder Cpl.	1	67279
17	135.07.01-3	Round Sealing Ring 30×3	1	92952
18	135.07.01-4	Round Sealing Ring 26×3	1	91357
19	135.02.00-12	Round Sealing Ring 22×3	1	91296
*	135.07.02	Piston Cpl.	1	67284
20	135.07.02-1	Piston	1	67285
21	135.07.02-2	Round Sealing Ring 17×2.5	1	97236
22	135.07.02-3	Slide Ring	1	97326
23	135.07.03	Pressure Valve Cpl	3	108317
24	135.07.03-1	Ring Type Nipple	3	97949
25	135.07.03-2	Hollow Screw	3	97948
26	135.07.03-3	Sealing Ring	6	91417
27	135.07.03-4	Adaptor (Tube To Thread)	3	108319
28	135.07.03-5	Threaded Plug	3	104679
29	135.07.03-6	Pressure Spring	3	190005
30	135.07.03-7	Round Sealing Ring 8×2	3	97855
31	GB308-64	Ball, F6	3	90307
32	135.07.04-1	Plug Screw	1	108316
33	135.02.00-29	Sealing Ring	1	92031



<b>No.</b>	<b>Part No.</b>	<b>Description</b>	<b>Qty</b>	<b>Ref. No.</b>
	130.12.00	Lube line with connecting parts	1	66978
1	135.01.02.02A	Grease nipple M10×1	6	90791
2	135.01.2-2	Reducer	2	22592
3	130.12.00-4	Hose, 1.24 m long	1	98966
4	130.12.00-3	Hose, 1.34 m long	1	97714
5	130.12.00-5	Tube	1	2057
6	No. 000	Hose clip	4	95115
7	130.12.00-2	Hose, 0.23 m long	1	41730
8	130.12.00-1	Hose, 1.15 m long	2	100568
9	135.12.00-7	T-piece	2	94522
10	135.07.03-3	Sealing	8	91417
11	135.07.03-2	Hollow screw	4	97948
12	135.07.03-1	Ring type nipple	4	97949
13	135.12.00-1	Clip	3	2932

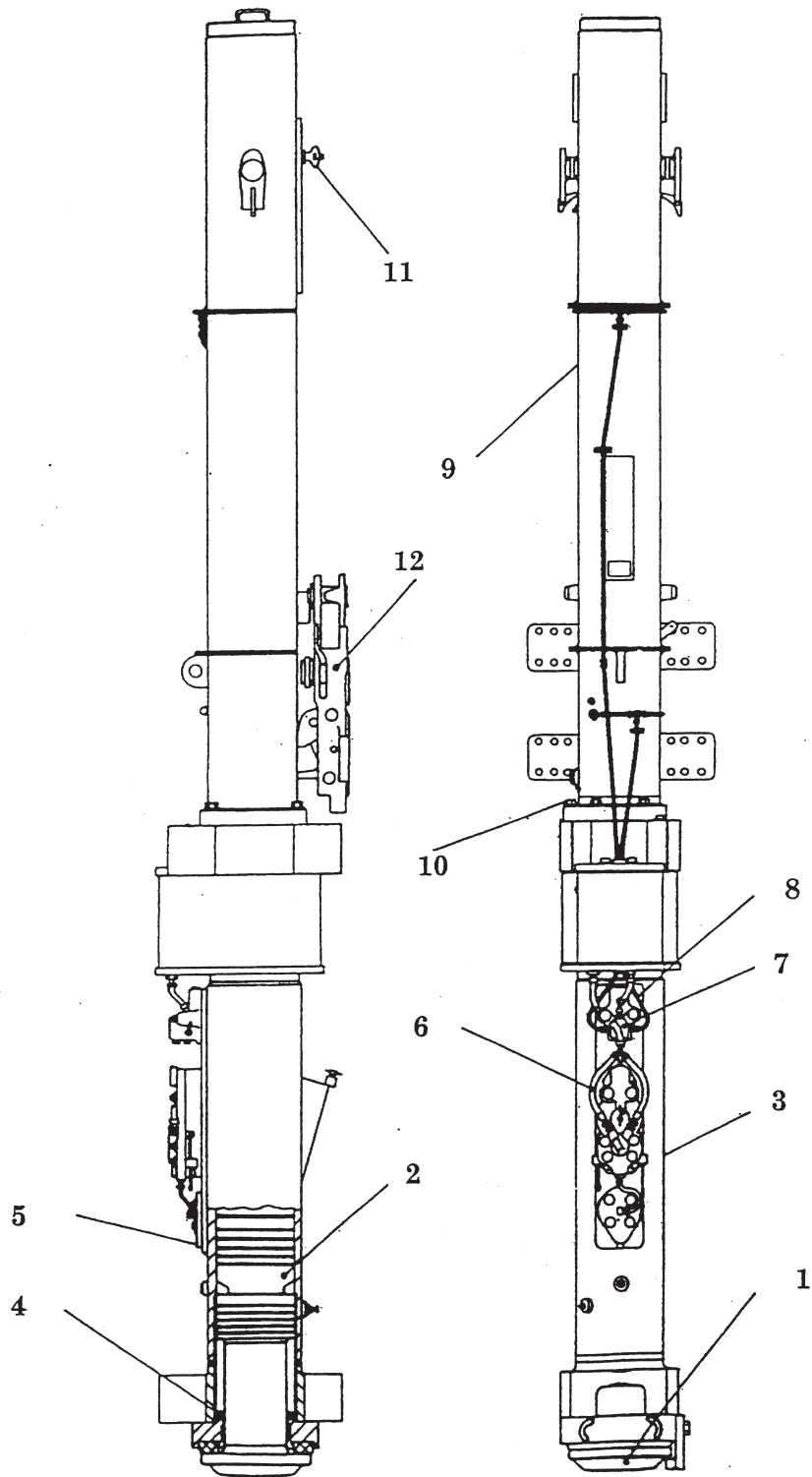


<b>No.</b>	<b>Part No.</b>	<b>Description</b>	<b>Qty</b>	<b>Ref. No.</b>
1	130.03.00	Cylinder Upper Part Cpl.	1	100580
2	135.03.00-1	Ratchet	2	17039
3	135.01.02.02A	Grease Nipple M10×1	2	90791
4	135.03.00-3	Dowel Pin 13×60	2	90044

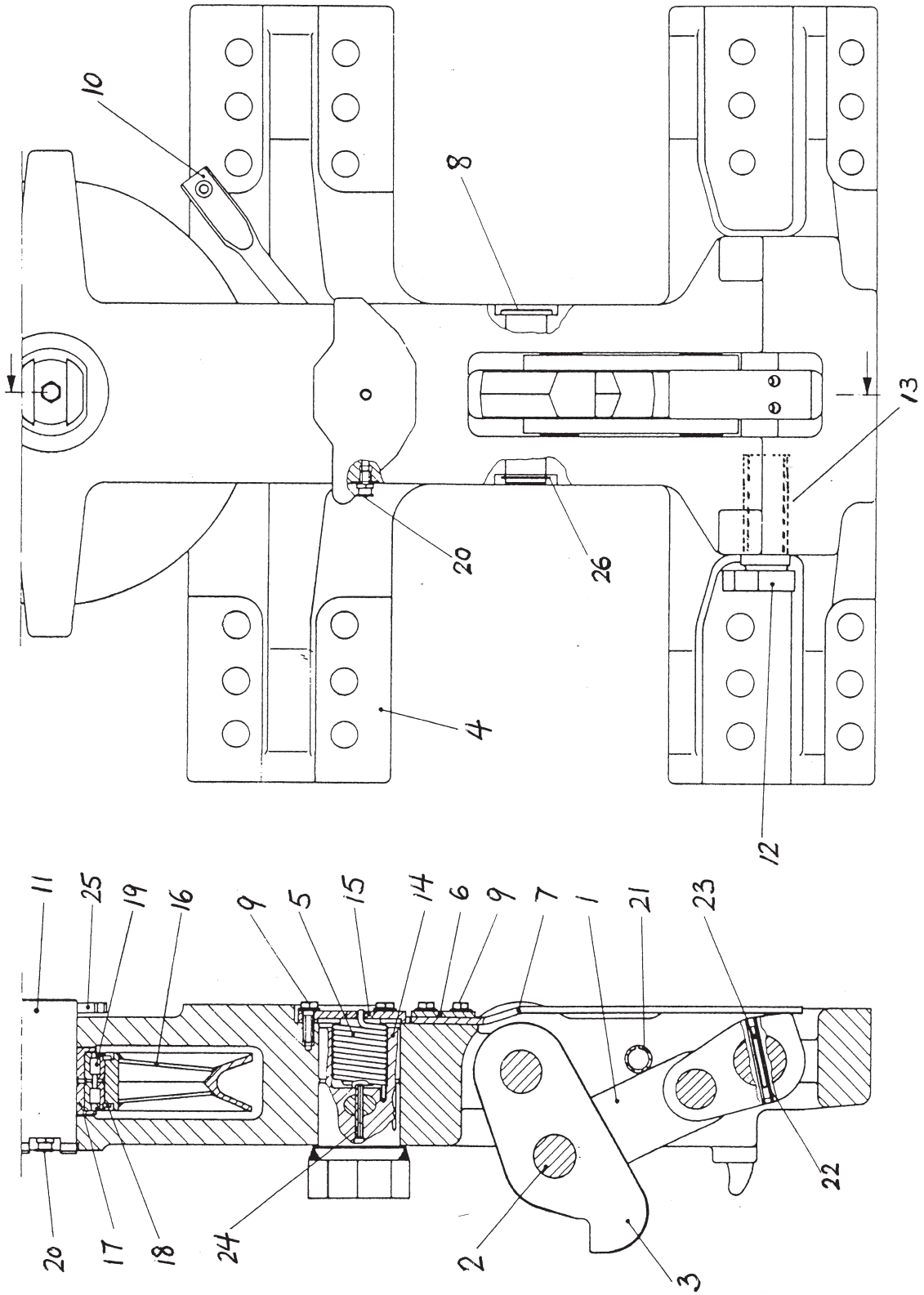




<b>No.</b>	<b>Part No.</b>	<b>Description</b>	<b>Qty</b>	<b>Ref. No.</b>
	130.06.00	Set Connecting Parts Cpl.	1	44004
1	135.06.00-6	Locking Screw M16×45 For Injectors And Lower Cylinder	4	95639
2	135.06.00-1	Stud Bolt M16 For Fuel Pump, Lube Pump And Lower Cylinder	8	20189
3	135.06.00-5	Locking Nut M16 For Fuel Pump, Lube Pump And Lower Cylinder	8	94722
4	135.06.00-2	Reduced Screw M24 For Upper And Lower Cylinders	16	20174



<b>No.</b>	<b>Part No.</b>	<b>Description</b>	<b>Qty</b>	<b>Ref. No.</b>
	130.10.00	Transport Protecting Cpl.	1	64868
1	130.10.01	Securing Clamp	1	64869
2	Gb5782-86	Hexagon Screw M24×50	1	22702
3	130.10.00-2	Exhaust Cover Cpl.	1	64498
4	130.10.00-1	Locking Screw	1	16890
5	130.10.02	Cylinder Slot Cover Cpl.	1	64884
6	135.10.02-2	Star Handle	1	96200
7	Gb879-79	Dowel Pin 6×60	1	90160
8	131.10.02.02	Tommy Screw	1	64888
9	130.10.03	Protecting Cap	1	64875



No.	Part No.	Description	Qty	Ref. No.
	131.05.00	Trip Gear Cpl.	1	104694
1	131.05.00-1	Shackle	2	1104
2	131.05.00-2	Joint Bolt	2	1106
3	131.05.00-3	Pawl	1	64192
4	131.05.00-6	Trip Housing	1	104697
5	132.05.00-7	Torsion Spring	1	39381
7	132.05.00-9	Plate Spring	1	39382
8	131.05.00-10	Pin	1	64190
9	135.05.00-14	Locking Screw M10×30	4	93414
10	131.05.00-17	Lever	1	64189
11	131.05.01	Pin Cpl.	1	104954
12	131.05.03	Cam With Lever	1	104695
13	131.05.03-03	Sleeve	1	
14	131.05.06	Carrier (Drive Pin)	1	108300
15	131.05.07	Cover	1	104698
16	131.05.02	Rope Pulley Cpl.	1	
17	131.05.02-1	Sleeve	1	
18	131.05.02-4	Pressure Plate	1	
19	131.05.02-5	Cylinder Roller Bearing	1	
20	135.01.02.02A	Grease Nipple M10×1	1	90791
22	GB879-86	Dowel Pin 10×80	2	90147
23	GB879-86	Dowel Pin 6×60	1	90160
24	GB879-86	Dowel Pin 8×50	1	90380
25	GB91-76	Split Pin 8×80	1	90748
26	GB894.1-86	Circlip 30	1	90221

No.	Part No.	Description	Qty	Ref. No.
	130.16.00	Tools And Accessories	1	
1	130.16.01	Piston Ring Fitting Band Cpl.	1	64852
2	135.16.02	Piston Ring Fitting Pliers Cpl.	1	16897
3	135.16.03	Assembly Plate	2	22700
4	135.16.04-5	Punch F12/F16	1	93349/90354
5	135.16.04-6	Punch F4/F8	1	90178/93348
6	135.16.04-7	Single-Head Spanner	1	
7	135.16.05	Tool Box	1	90890
8		Rope 35M Long	2	1130
9		Rope 70M Long	1	1129
10	2350-20/36 (Dwn 29)	Ratchet Spanner	1	90196
11	GB825-76	Ring Screw M30	1	91336
12	JB718-65	Double Ended Open Spanner 30×32	1	90655
13	JB718-65	Double Ended Open Spanner 19×22	1	90443
14	JB717-65	Single Ended Open Spanner 46	1	90184
15	JB717-65	Single Ended Open Spanner 27	1	90465
16	JB717-65	Single Ended Open Spanner 17	1	95071
17	JB717-65	Single Ended Open Spanner 55	1	90467
18		Double Ended Ring Spanner 22×24	1	95834
19		Socket Wrench Sw22	1	90197
20		Socket Wrench Sw46	1	90199
21		Angled Screw Driver 5	1	90055
22		Angled Screw Driver 6	1	90862
23		Angled Screw Driver 8	1	90657
24		Angled Screw Driver 10	1	90469
25		Angled Screw Driver 14	1	90079
26		Angled Screw Driver 19	1	90194
27		Pliers A19	1	90785
28		Oil Feeder	1	90670
29	135.16.06	Grease Gun	1	90795